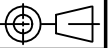


**NOTE :** FASCO AUSTRALIA IS HAPPY TO PROVIDE TECHNICAL ASSISTANCE TO OUR CUSTOMERS IN MANY AREAS. HOWEVER, SINCE FASCO AUSTRALIA IS NOT AWARE OF ALL DATA CONCERNING THE USE AND APPLICATION OF THIS MOTOR, THE SUITABILITY OF THE MOTOR FOR THE APPLICATION MUST BE DETERMINED BY AND IS THE RESPONSIBILITY OF THE CUSTOMER.



### MOTOR SPECIFICATION

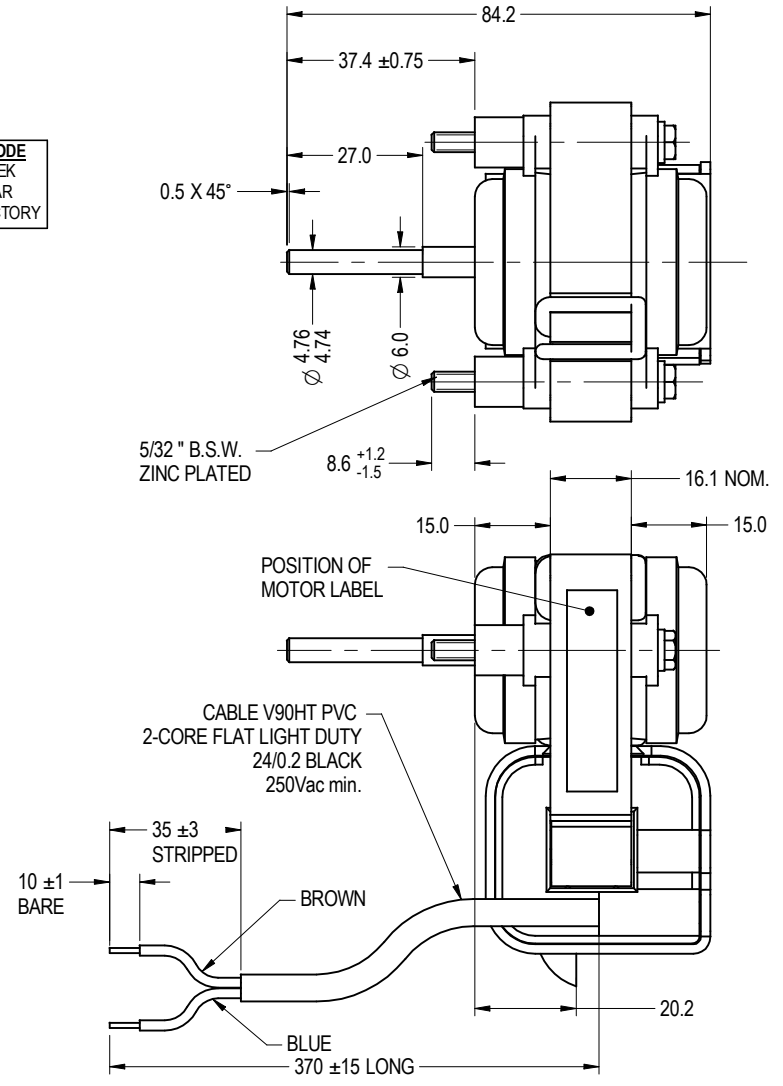
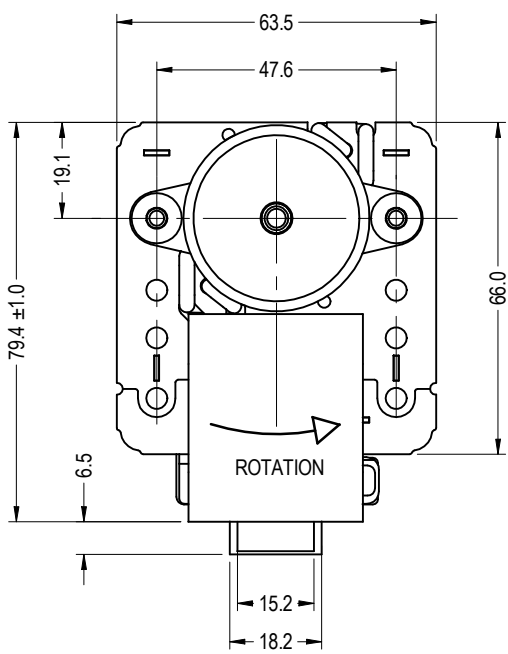
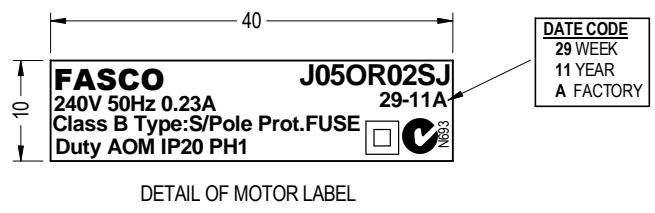
CUSTOMER	-----			
CUSTOMER P/N	---			
QR No.	---	CAPACITOR	uf / V	
POWER OUTPUT	6.5W	START	---	
MOTOR TYPE	S/POLE	RUN	---	
SUPPLY	VOLTS	HERTZ	PHASE	POLES
	240	50	1	2
ENCLOSURE	CLIP ON BOBBIN			
SPEED (RPM) AT RATED OUTPUT	2200±100	WINDING TYPE	SINGLE SP.	
ROTATION	ANTI-CLOCKWISE			
INSULATION CLASS	B	DUTY	AOM	
THERMAL PROTECTION	THERMAL FUSE ELCUT			
RATED CURRENT	0.23A			
APPLICATION				
MOUNTING	BOBBIN/SCREWS			
BEARING & LUBRICATION	626VV MC3E MARUTEMP PS2			
SUPPLY LEAD	COLOUR	BLACK		
	LENGTH	AS SHOWN		
	TERMINALS	---		
	Q.C. HOUSING	---		
<input checked="" type="checkbox"/> MULTI STRAND				
<input type="checkbox"/> SINGLE CORE				
EARTH PROVISION	---			
BASIC BUILD SPECIFICATION	-----			
PERFORMANCE SPECIFICATION	SPM53004-02			
SHAFT MATERIAL	S.S. 303			
CONNECTION DIAGRAM	---	PAINT SPEC	CLEAR VARNISH	

#### SPECIAL REQUIREMENTS

**PACKAGING**  
20 - MOTORS PER BOX  
**ADDITIONAL PROTECTION :-**  
CORROSION INHIBITING PAPER IN EACH BOX  
**PALLET AND BOX LABELS TO HAVE:-**  
FASCO NUMBER  
DATE OF MANUFACTURE  
QUANTITY  
WEIGHT

**PACK PARTS IN PLASTIC BAG AND ATTACH TO MOTOR LEAD.**  
2 - NUT 5/32" B.S.W. 5/16" A/F HEX ZINC PLATED  
2 - 4 DIA INTERNAL SHAKEPROOF WASHER ZINC PLATED.

DO NOT SCALE PRINT



DIMENSIONS IN mm UNLESS OTHERWISE SPECIFIED

GENERAL TOLERANCES	
LINEAR:	X = ±1.0
	XX = ±0.25
	XXX = ±0.1
ANGULAR:	X = 2°
	XX = ±0.5°
SURFACE FINISHES MAX 3.0 MICRO METRES	
SYMBOLS PER A.S. 1100	

This drawing remains the property of Fasco Australia Pty. Ltd.  
No part or parts of this drawing may be reproduced without written permission.

MATL FINISH		
DRAWN	MURFETTR	03/08/11
CHECKED	BALCHANT	19/12/11
RELEASED	BALCHANT	21/12/11
SCALE	1 : 1	



FRAME	
STATUS	R
SHEET	

.MOTOR		REVISION
240V 50HZ 1SP ACW		B
DWG. NO.	J05OR02SJ	

MIC 003699  
By: MURFETTR  
Date: 19/12/11  
M/C REVISED LENGTH OF LEAD FROM 210 TO 370 LONG AND  
Note: STRIPPED BARE LEAD FROM 6 TO 10 MM