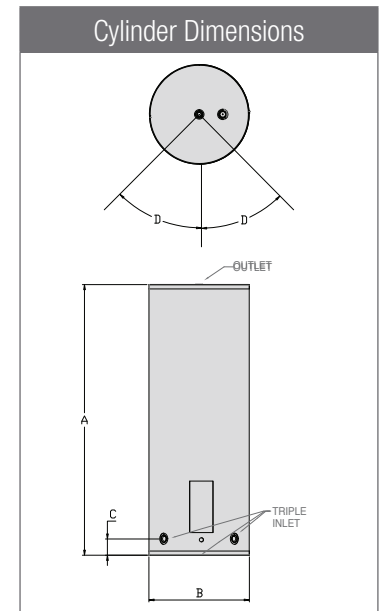


LOW PRESSURE – VITREOUS ENAMEL (VE)

Models	148 090 **T	148 135 **T	158 135 **T	148 180 **T	158 180 **T	158 270 15T
Approx. Storage Capacity (L)	90	135	135	180	180	270
Height A (mm)	915	1315	880	1710	1135	1640
Width B (mm)	490	490	580	490	580	580
C (mm)	120	120	120	120	120	120
D (°)	45	45	36	45	36	36
Approx weight Empty (Kg)	29	39	37	51	49	79
Relief Valve Settings (kPa)	120	120	120	120	120	120
Element Rating (@230v) (kW)	2.0 or 3.0	2.0 or 3.0	2.0 or 3.0	2.0 or 3.0	2.0 or 3.0	3.0

**Add to end of product code: 13T for 2kW; or 15T for 3kW



LOW PRESSURE – COPPER

Model	Cap. (L)	w × h (mm)	ELM. (kW)	Inlet
LP DOMESTIC INDOOR ELECTRIC STORAGE (COPPER)				
149 040 13	40	460 × 490	2	Bottom
14T 090 13	90	510 × 785	2	Triple
14T 110 13	110	510 × 950	2	Triple
12T 135 13	135	610 × 800	2	Triple
14T 135 13	135	560 × 955	2	Triple
16T 135 13	135	510 × 1140	2	Triple
18T 135 13	135	460 × 1465	2	Triple
54T 135 13	135	540 × 1030	2	Triple
12T 180 13	180	610 × 1020	2	Triple
12T 180 15	180	610 × 1020	3	Triple
14T 180 13	180	560 × 1220	2	Triple
14T 180 15	180	560 × 1220	3	Triple
54T 180 13	180	540 × 1355	2	Triple
54T 180 15	180	540 × 1355	3	Triple
16T 180 13	180	510 × 1510	2	Triple
16T 180 15	180	510 × 1510	3	Triple
149 225 15	225	610 × 1250	3	Bottom
169 225 15	225	560 × 1510	3	Bottom
149 270 15	270	610 × 1470	3	Bottom
149 270 25	270	610 × 1470	2 x 3	Twin element (simultaneous)
169 270 15	270	560 × 1800	3	Bottom
169 270 25	270	560 × 1800	2 x 3	Twin element (simultaneous)
149 350 25	350	655 × 1595	2 x 3	Twin element (simultaneous)
LP DOMESTIC INDOOR ELECTRIC STORAGE (COPPER)				
199 015 13	15	365 × 370H	2	Top Inlet & Outlet
199 025 13	25	365 × 525H	2	Top Inlet & Outlet
199 040 13	40	460 × 490H	2	Top Inlet & Outlet

Model	Cap. (L)	w × h (mm)	ELM. (kW)	Inlet
LP HEAVY HEAD				
146 180 15	180	560 × 1220H	3	
166 180 15	180	510 × 1510H	3	
LP TANK UNITS				
T49 135 13	135	560 × 1260H	2	
T49 180 15	180	560 × 1530H	3	
LP DAIRY				
109 250 1G	250	760 × 1235H	3/3	
109 350 1G	350	760 × 1530H	3/3	
109 450 1G	450	760 × 1835H	3/3	
109 600 1G	600	840 × 1885H	3/3	