

## Lussi Basin

### Pre-Installation Checks

Please take time to read and perform these checks before proceeding to the installation instructions.

This product must be installed by a qualified trades person in a professional manner.

**Caution: When lifting or installing heavy items always seek assistance, never attempt to lift or maneuver alone. Always follow safe practices and use personal protective equipment (PPE).**

#### 1. Inspect all items upon delivery.

If you believe there is a fault, damage or the item is incorrect, contact the place of purchase immediately and do not proceed with installation. Proceeding with installation will immediately void warranty. The manufacture will not be liable for installation or removal costs.

We allow 7 days from receipt of goods for notification of any discrepancies in goods received.

Once installed, no claims of damage will be accepted.

#### 2. Ensure you have the appropriate equipment

You will need:

- Spirit Level
- Spanners
- Bathroom Silicone
- Fixings

The installer is to determine appropriate fixings for installation location, substrate and other environmental factors.

#### 3. Read the specification documents of your basin and check for special plumbing or mounting requirements

Basin installation requirements vary between brand, manufacturer and style.

#### 4. Determine mounting position

Always check for potential interferences between cabinet drawer and other fixtures and fittings such as doors, windows, switches, hardware, furniture etc.

#### 5. Check that your wall is flat, level and square

The wall you are mounting to should be flat level and square from floor to ceiling (vertically), and left to right (horizontally).

#### 6. Make sure you have appropriate support

Your wall should have appropriate support beams (studs/noggins) to mount your basin to. Supports should run the entire length of the basin and be positioned according to the mounting information supplied in this document.

#### 7. Test fit all plumbing components

Test fit all plumbing components from basin to waste point at wall and if applicable check for any interferences with internal cabinet components before continuing.

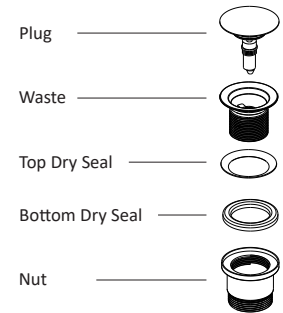
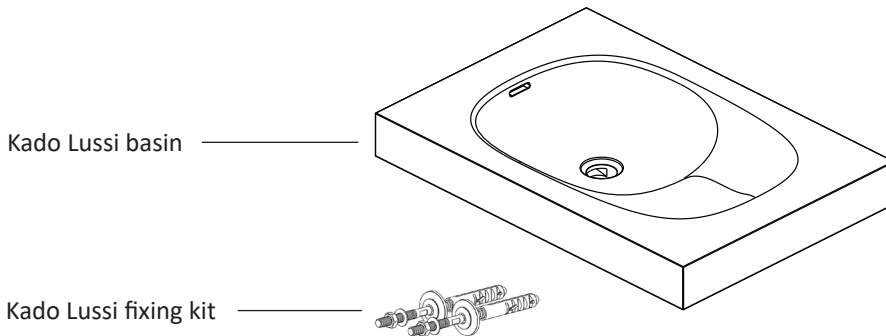
**FAILURE TO ADHERE TO THE ABOVE PREPARATION OR INSTALLATION INSTRUCTIONS  
WILL VOID YOUR WARRANTY**

# KADO

## Installation Instructions

### Lussi Basin

#### ASSEMBLY LIST



Solid surface  
32-40mm waste (supplied)

#### LUSSI BASIN INSTALLATION INSTRUCTIONS

**NO claims for damages / defects will be recognised after installation.**

**Prior to installation it is important to unpack and inspect your products to ensure no damage has occurred in transit and that the product IS CORRECT. If damage has occurred, or a visible defect exists, do not proceed with installation and contact supplier IMMEDIATELY.**

**Step 1.** Check outlet at wall is at correct height and horizontal location for the basin that you are installing. For side shelf basin details see **Figure 1a**. For rear shelf basin details see **Figure 1b**.

**Step 2.** Ensure wall is suitable and studs and noggins are in appropriate locations. See **Figure 2**.

**Step 3.** Mark out fixing bolt positions ensuring they are level and at the correct height. See **Figure 3**.

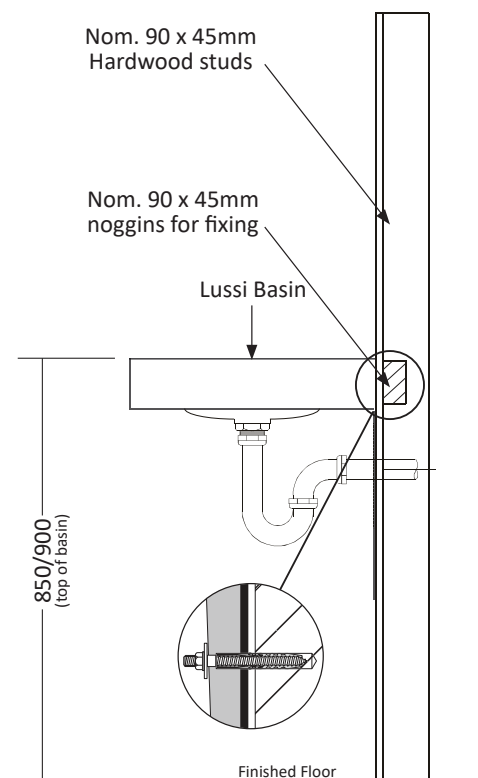
**Step 4.** Secure appropriate fixings\* to the wall at marked out positions. Place basin over bolts and tighten. Check that basin is secure, square and level.

**Step 5.** If installing a Lussi cabinet under basin, proceed to cabinet installation instructions. If installing basin only, complete all plumbing connections between basin and outlet<sup>^</sup>.

**\*It is the responsibility of the installer to determine appropriate fixings for the mounting surface, substrate and other environmental factors.**

**<sup>^</sup>Plumbing components supplied separately. IMPORTANT: It's the responsibility of the installer to create a water tight seal between the basin and the waste. It is also the responsibility of the installer to take appropriate precautions to prevent water penetrating joinery. Supplier will not be held responsible for any damage that occurs to joinery due to; incorrect installation; water seepage or leaks.**

**Figure 2.**



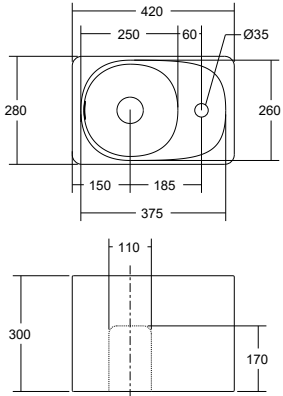
## Lussi Basin

Figure 1a.

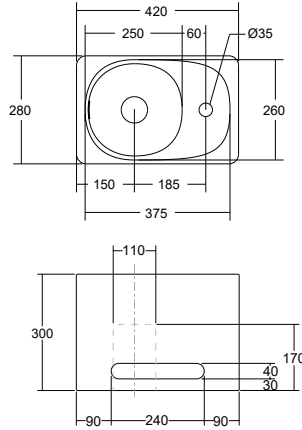
### LUSSI SIDE SHELF BASIN DETAILS

Only left hand and double bowls shown. Right hand bowl is mirror image of left hand bowl.

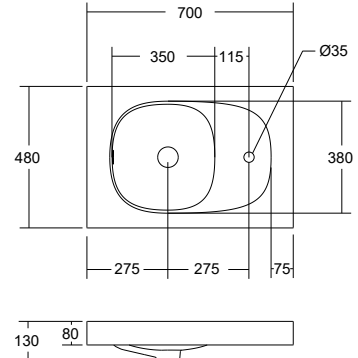
Lussi 420 basin tap hole & waste (No hand towel slot)



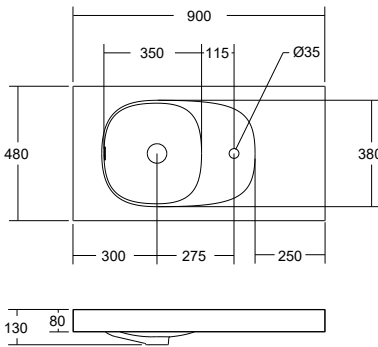
Lussi 420 basin tap hole & waste (With hand towel slot)



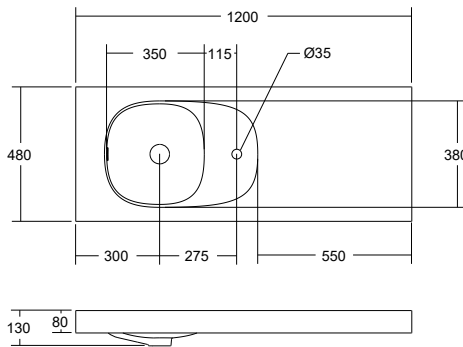
Lussi 700 basin tap hole & waste



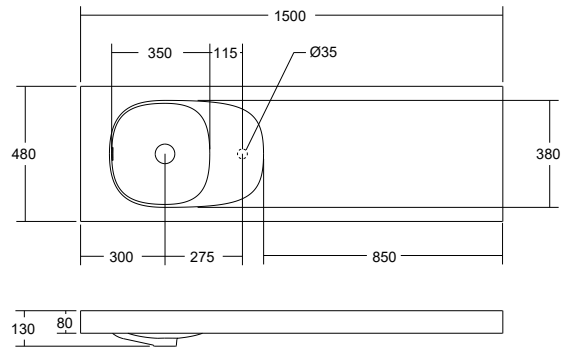
Lussi 900 basin tap hole & waste



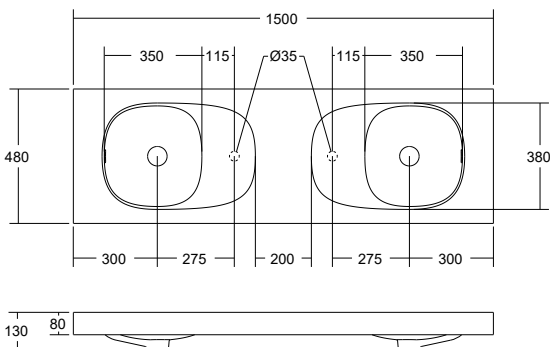
Lussi 1200 basin tap hole & waste



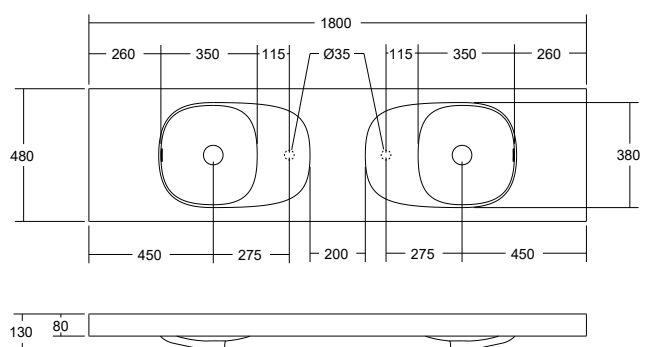
Lussi 1500 basin tap hole & waste



Lussi 1500 double basin tap hole & waste



Lussi 1800 double basin tap hole & waste



Plumbers, please ensure a copy of the installation Instructions is left with the end user for future reference

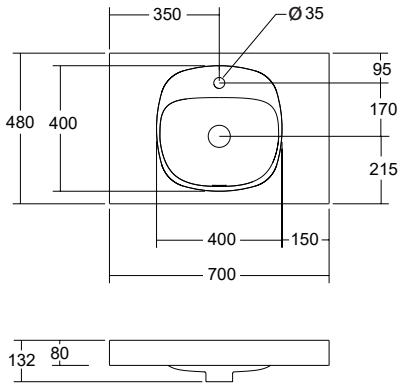
## Lussi Basin

Figure 1b.

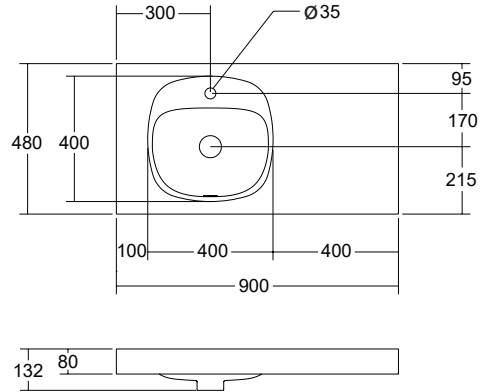
### LUSSI REAR SHELF BASIN DETAILS

Only centre, left hand and double bowls shown. Right hand bowl is mirror image of left hand bowl.

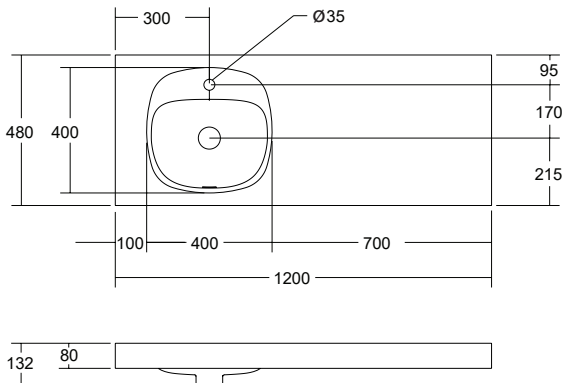
Lussi 700 basin tap hole & waste



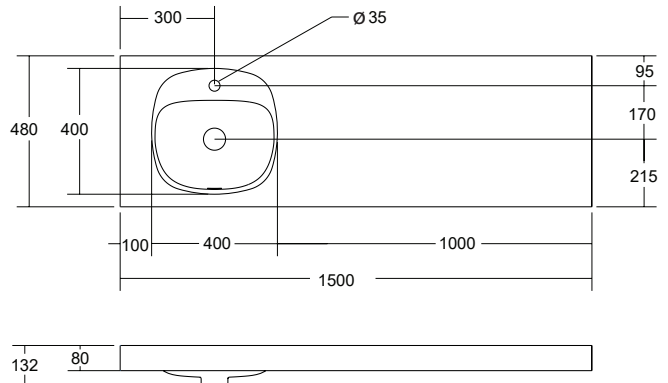
Lussi 900 basin tap hole & waste



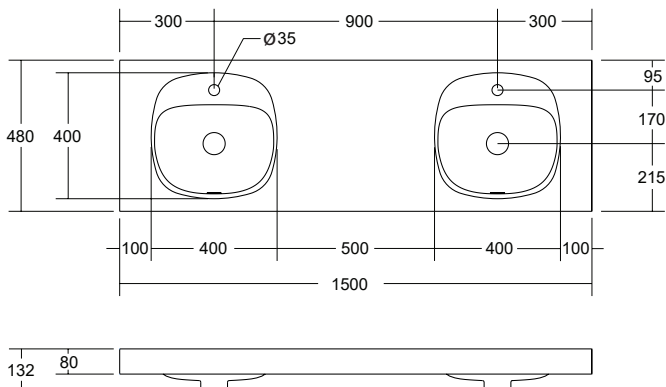
Lussi 1200 basin tap hole & waste



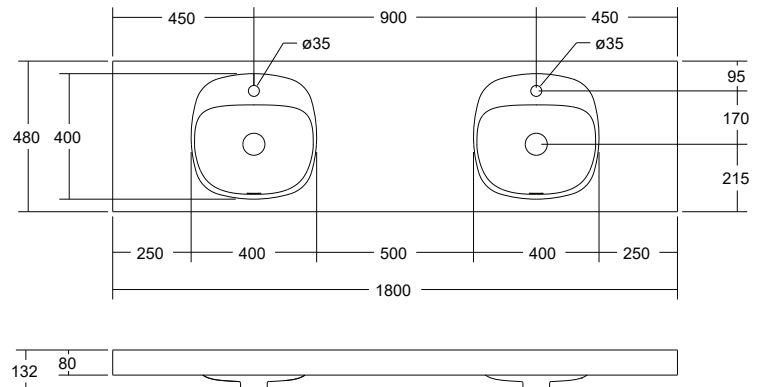
Lussi 1500 basin tap hole & waste



Lussi 1500 double basin tap hole & waste



Lussi 1800 double basin tap hole & waste



Plumbers, please ensure a copy of the installation Instructions is left with the end user for future reference

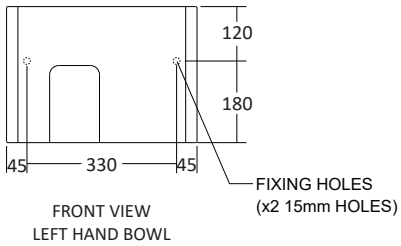
## Lussi Basin

Figure 3.

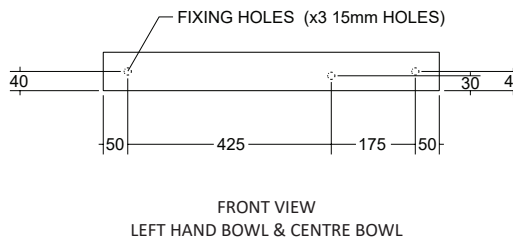
### LUSSI SIDE/REAR SHELF BASIN FIXING HOLE LOCATIONS

Only left hand, centre and double bowls shown. Right hand bowl is mirror image of left hand bowl.

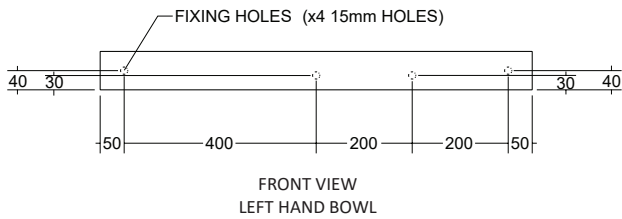
Lussi 420 fixing points



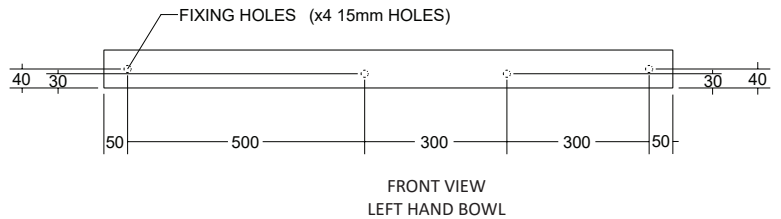
Lussi 700 fixing points



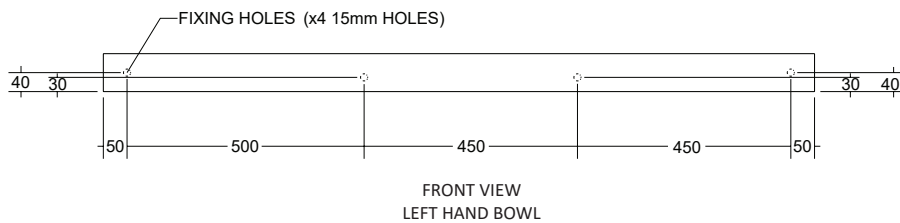
Lussi 900 fixing points



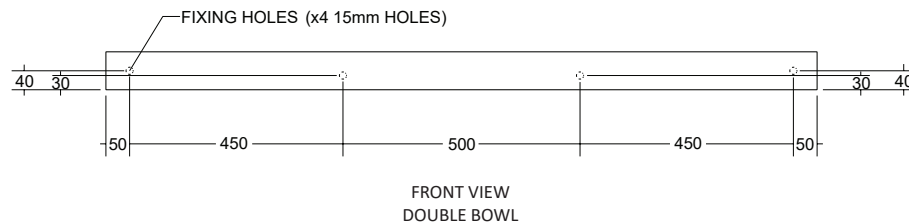
Lussi 1200 fixing points



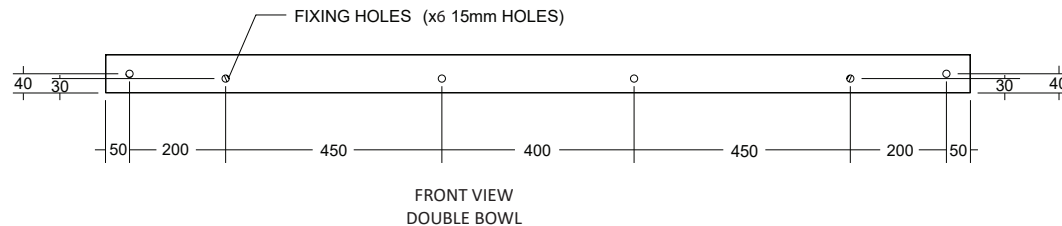
Lussi 1500 fixing points



Lussi 1500 double fixing points



Lussi 1800 double fixing points



Plumbers, please ensure a copy of the installation Instructions is left with the end user for future reference