

POSH

SOLUS WALL HUNG VANITY - CERAMIC



SPECIFICATIONS

Recommended Use	Domestic, Hotel and Commercial
Vanity Top Material	Ceramic - with integrated overflow
Vanity Unit Material	MDF MR E0 (Medium Density Fibreboard, Moisture Resistant, Rated Emission Level E0)
Vanity Colour Variations (see page 2)	<p>Textured Woodgrain:</p> <p><i>Riven:</i> Light grain texture.</p> <p><i>Nuance:</i> Deep wide grain texture.</p> <p><i>Ravine:</i> Deep wide grain texture.</p> <p>Natural Woodgrain:</p> <p>Matte smooth.</p> <p>Gloss Silk:</p> <p>Sheen gloss smooth.</p>
Interior Finish	Graphite Grey
Tap Hole Availability	1 Tap Hole.
Waste	Universal Ultra Waste (Pop Up) Chrome, 40mm Outlet (included).
Fixing	Bolted/Screwed to the wall by a licensed tradesperson-Fixings not included.
Drawers/Inclusions	Premium Soft-Close Drawers. Recessed Finger-Pull Handles.



To see the complete POSH range go to www.reece.com.au/bathrooms

STANDARD SIZES	600mm	750mm	900mm	1200mm
Width (mm)	610	760	910	1210
Depth (mm)	460	460	460	460
Wall Hung Height (mm)	398	398	398	398
Number of Drawers	1	1	1	2

Disclaimer: Products in this specification manual must by regulation be installed by licensed and registered trade people. The manufacturer/distributor reserves the right to vary specifications or delete models from their range without prior notification. Dimensions and set-outs listed are correct at time of publication however the manufacturer/distributor takes no responsibility for printing errors.

Tech Page Version 3

POSH

SOLUS WALL HUNG VANITY - CERAMIC

Textured Finishes

Riven



Cherished Wood



Concrete Formwood



Rural Oak



Seasoned Oak

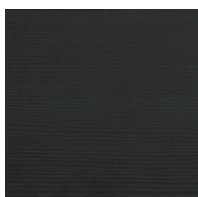


Sublime Teak



Washed Knotty Ash

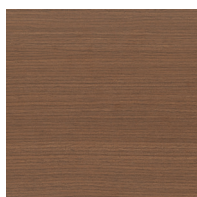
Nuance



Black



Chamois



Cherry Riftwood



Domain



Espresso Ligna



Parchment



Blackened Linewood



Chalky Teak



Tawny Linewood

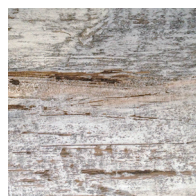


Smoke Elm

Ravine



Antico Oak



Distressed Wood



Natural Oak



Notaio Walnut



Prime Oak

Gloss Silk or Natural Finishes



Gesso Lini

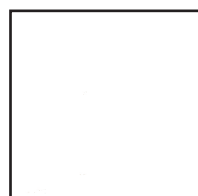


Rocco Lini



Truffle Lini

Silk Finishes



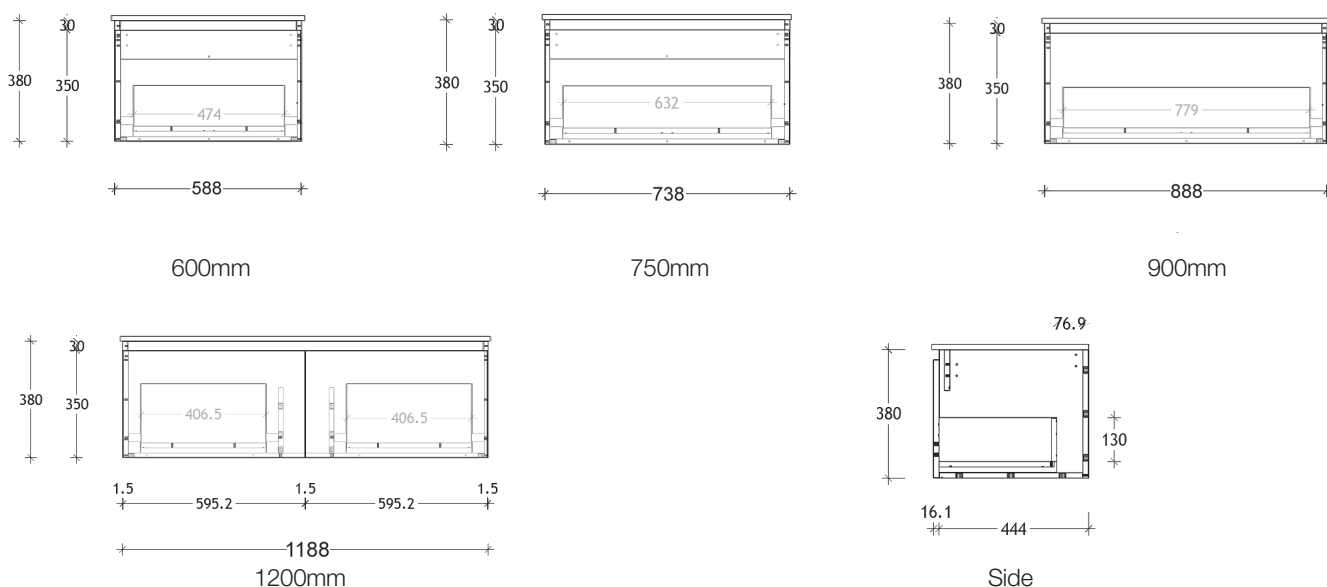
Polar White

POSH

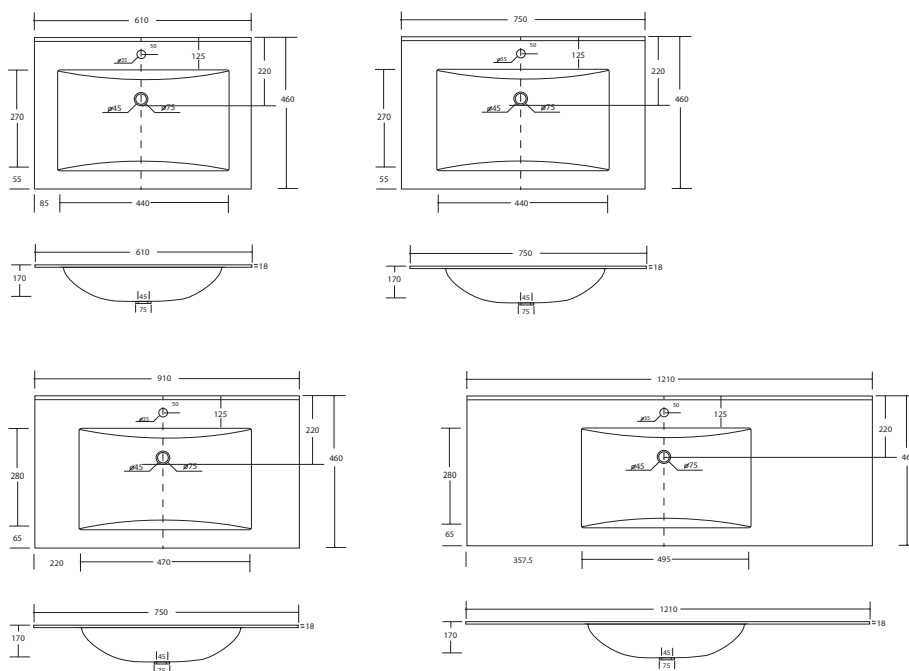
SOLUS WALL HUNG VANITY - CERAMIC



VANITY WALL HUNG:



VANITY TOP:



Dimensions are nominal measurements only.

POSH SOLUS VANITY

INSTALLATION INSTRUCTIONS

Prior to installation it is important to unpack & inspect your products to ensure no damage has occurred in transit and that the product IS CORRECT. If damage has occurred, or a visible defect exists, do not proceed with installation and contact supplier IMMEDIATELY.

NO claims for damages / defects will be recognized after installation

1. Check that wall is level (fig 1 and 2) and plumb both vertically and horizontally. If your wall is out of plumb, or is not flat, you will need to pack your vanity so as not to follow the wall. Your vanity must be level, otherwise it will twist and your doors and drawers will be out of alignment.
2. Mark base and back of vanity for drilling to allow for plumbing pipes.
3. Drill holes for pipes with appropriate size hole saw.
4. Position vanity over pipes in correct position. It may be an idea to use a level support / noggin to assist in levelling a wall hung unit and help identify any un-plumb surfaces which may require packing prior to fixing the unit to the wall.
5. Check with spirit level that the vanity unit is completely level. (fig 3 and 4)
6. Fix vanity to wall through back of vanity ensuring the correct screw/dynabolt size is used by the installer to suit the installation situation.

Where studs cannot be located, it is recommended to use toggle bolts or appropriate hollow-wall fixings.

Allow enough fixing points, evenly spaced at the top AND bottom of the back panel, to sufficiently hold the particular unit size onto the situation of the installation area. It may be handy to apply some silicone/adhesive to the rear of the unit prior to fixing, this may assist in levelling and fixing the unit to the wall.

7. Adjust doors and drawers if required as there may have been some movement during transportation and installation. (refer instructions included in unit)
8. Vanity top is then to be siliconed to the top of the cabinet using non Acidic silicone. Apply an unbroken bead of silicone on all four edges of the top of the vanity and at the back where the top meets the wall. Ensure to seal any visible gaps between the cabinet and the top with an unbroken bead of silicone.
9. All edges where vanity top and cabinet meet wall and floor are to be sealed with silicone. Gap filler sealant can be used in place of silicone where unit meets tiled surfaces. All areas need to be sealed to prevent water penetration. Materials used for construction of this unit are water resistant NOT water proof. Care must be taken to dry any spillage or leakage of water which may gain access to cabinet. It is recommended that vanities are installed over 300mm from any wet areas such as baths, spas and showers.
10. Where a separate basin is to be fitted it is essential that the basin is fully sealed to the cabinet and top to prevent any water penetration.
11. Waste is not to be over tightened to avoid stress on basin or top. (recommendation for waste to be HAND tight only)

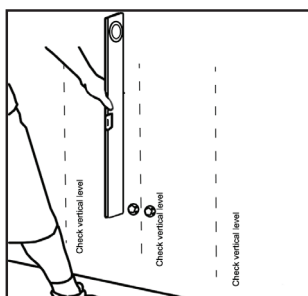


Fig.1

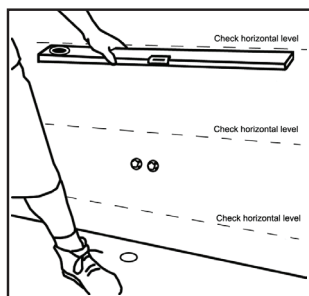


Fig.2

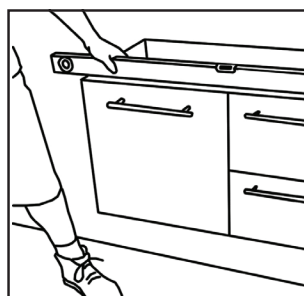


Fig.3

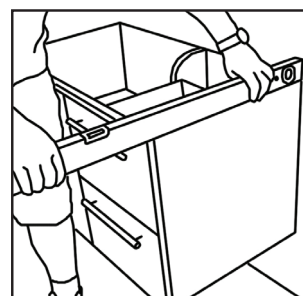


Fig.4

CLEANING RECOMMENDATIONS

This bathroom product should not be cleaned with abrasive materials eg. steel wool/scourers.

Do not use any corrosive or abrasive cleaning agents containing acids or scouring agents.

To maintain finish on your top, use only a soft cloth or weak solution of non-abrasive detergent. To restore accidental scratches, marks, etc. rub gently with car cutting compound, car polish or household brass/silver cleaner.

Bleaches can discolour products and therefore should not be used. Damage caused by any improper treatment or excessive heat is not covered by the product warranty - refer to Warranty Conditions.

Plumbers, please ensure a copy of the installation instructions is left with the end user for future reference