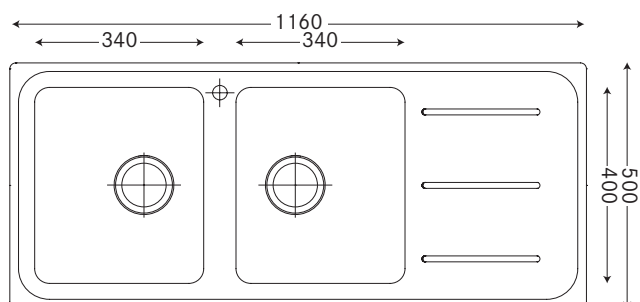


# FRANKE

## IMPACT GRANITE DOUBLE BOWL WITH DRAINER INSET SINK - IMG 621



### FEATURES

<b>Model</b>	IMG 621 LHD or IMG 621 RHD
<b>Bowl configuration</b>	Sink is available with either left hand drainer or right hand drainer.
<b>Bowls</b>	Granite with R 35 corners and rear wastes
<b>Finish</b>	Granite
<b>Fixing</b>	Pre fitted clipping system
<b>Colours</b>	Onyx or polar white

### SPECIFICATIONS

<b>Recommended use</b>	Domestic
<b>Material</b>	Granite
<b>Formation</b>	Moulded, 1 piece
<b>Tap Holes</b>	Pre-Drilled (to be knocked-out)
<b>Dimensions</b>	1160 x 500
<b>Bowl Size</b>	340 x 400 x 220(x2)/27L
<b>Cut Out</b>	1140 x 480, cr = 20
<b>Cabinet Size</b>	800mm
<b>Waste Outlet</b>	90mm
<b>Features</b>	Impact resistant, scratch resistant, stain & colour, germ resistant
<b>Accessories</b>	Franke drainer basket, chopping board, timber chopping board available as optional accessories
<b>Models available</b>	IMG 611 Single bowl with drainer IMG 620 Double bowl IMG 621 Double bowl with drainer IMG 651 Double bowl with drainer

To see the complete FRANKE range go to [www.reece.com.au/bathrooms](http://www.reece.com.au/bathrooms)

### CLEANING RECOMMENDATIONS

We recommend the use of soapy water or approved cleaners.

This product should not be cleaned with abrasive materials.

Damage caused by any improper treatment is not covered by the product warranty - refer to Warranty Conditions.

Disclaimer: Products in this specification manual must by regulation be installed by licensed and registered trade people. The manufacturer/distributor reserves the right to vary specifications or delete models from their range without prior notification. Dimensions are nominal measurements only. Dimensions and set-outs listed are correct at time of publication however the manufacturer/distributor takes no responsibility for printing errors.

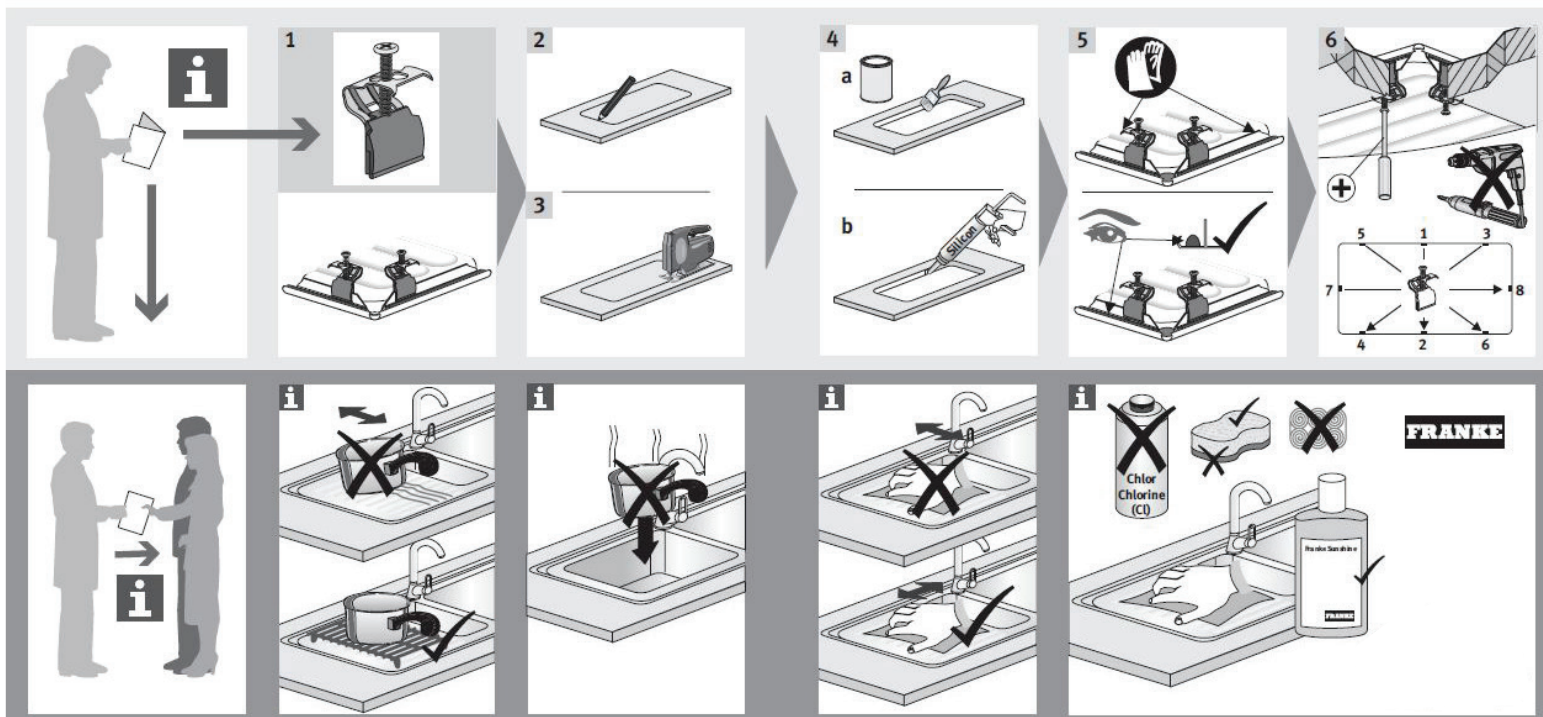
Tech Page Version 2

**FRANKE**

**reece**

# FRANKE IMPACT GRANITE DOUBLE BOWL WITH DRAINER INSET SINK - IMG 621

## INSTALLATION INSTRUCTIONS



Plumbers, please ensure a copy of the installation instructions is left with the end user for future reference

