

KADO

Kado Soft Close Quick Release Toilet Seat White

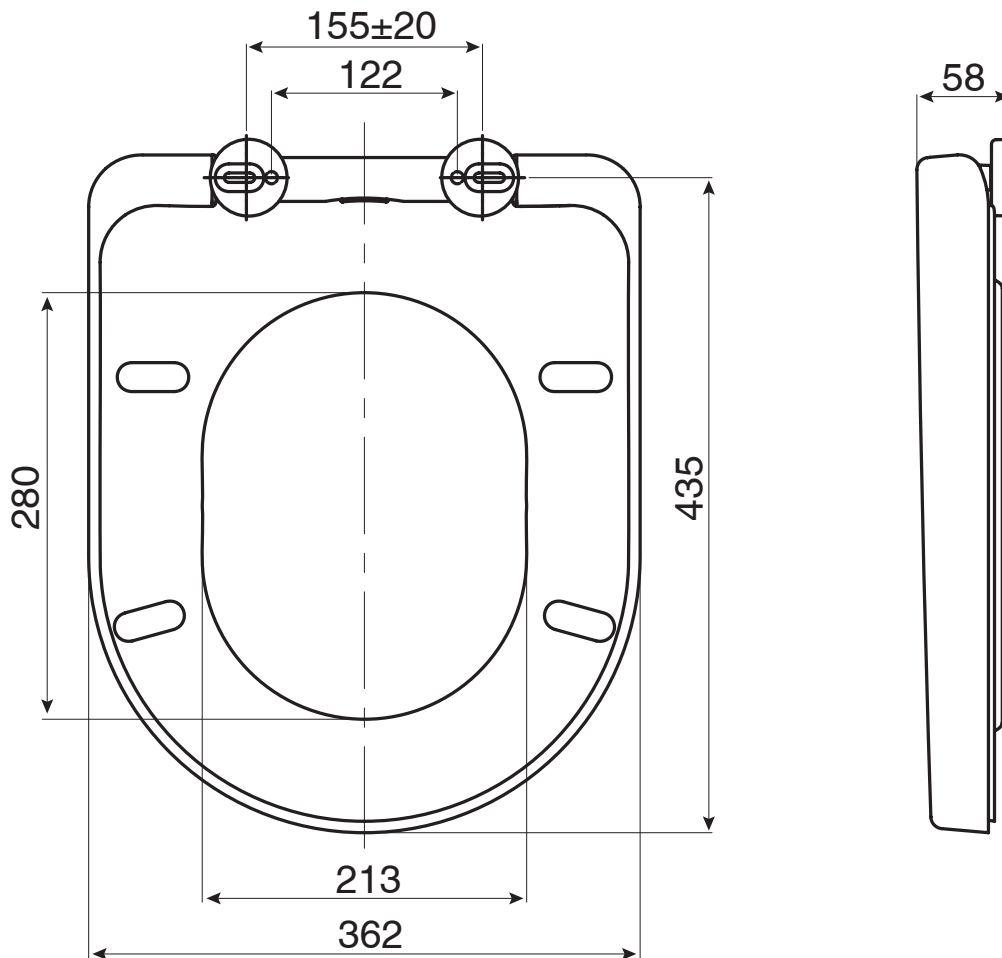
SPECIFICATIONS

Recommended Use	Domestic, Hotel & Commercial
Toilet Seat Type	Soft Close Quick Release
Material	Durable Sanitary Grade Plastic (Urea)
Fixing	Top Fixing Hinges (included)
Colour	White
Weight	2.8kg

WARRANTY

Warranty - Domestic Use	12 Months
Spare Parts & Labour	12 Months

Please refer to Warranty Page for full Terms and Conditions



Dimensions are nominal measurements only.

Disclaimer: Products in this specification manual must by regulation be installed by licensed and registered trade people. The manufacturer/distributor reserves the right to vary specifications or delete models from their range without prior notification. Dimensions are nominal measurements only. Dimensions and set-outs listed are correct at time of publication however the manufacturer/distributor takes no responsibility for printing errors.

Published 21/11/2017

To see the complete Kado range go to www.reece.com.au/bathrooms

