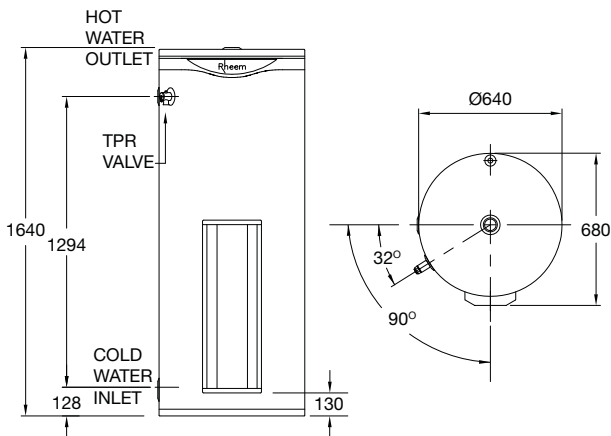


Features & Benefits



- Ideal for cafés, hair salons and industrial applications
- 6 element model
- Larger mass anode
- Quick recovery
- 5 year Commercial warranty on cylinder (10 year Domestic warranty when set to below 76°C)¹



*First hour delivery calculated @ 50°C rise

MODEL	616315
Hot Water Delivery (L)	315
kW Rating (6 elements)	3.6, 4.8, 6.0
Relief Valve Pressure (kPa)	1000
Expansion Control Valve (kPa)	850
Max Water Supply Pressure:	
with ECV (kPa)	680
without ECV (kPa)	800
Water Connections	Rp 1 ¹ / ₄
Approx. Weight (packaged) kg	103



Scan code for details & installation instructions

