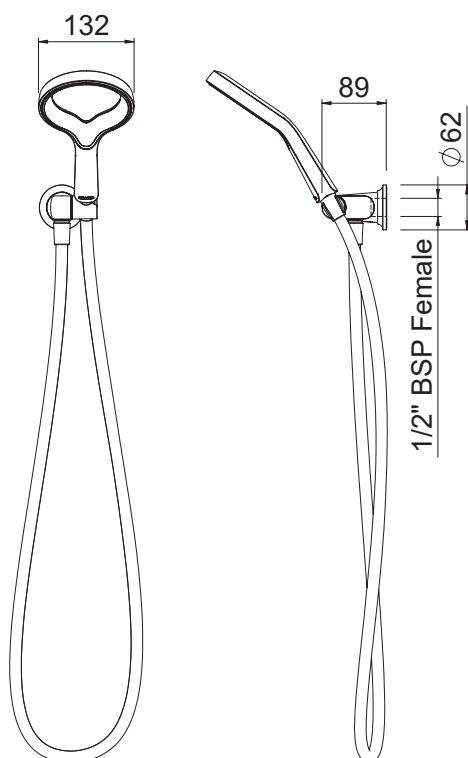


# METHVEN

## AURAJET AIO HAND SHOWER



### SPECIFICATIONS

Recommended Use	Domestic, hotel and commercial
Colour	Chrome with white face Chrome with satin chrome face
Pressure Rating	Suitable for high pressure applications and has been WELS certified to the following: Minimum operating pressure 150kPa Maximum operating pressure 500kPa
Temperature Rating	Maximum continuous working temperature 70°C (recommended 38°C - 42°C) Minimum 1°C
Suitable Hot Water Units	Storage Tank: Yes Continuous Flow: Yes Gravity Feed: Not recommended
WELS	Stars: 3 Flow rate: 9L/min
Standards	AS/NZS 3662
Spray Patterns	Aurajet Spray

### CLEANING RECOMMENDATIONS

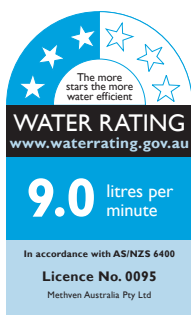
We recommend the use of soapy water or approved cleaners. This product should not be cleaned with abrasive materials. Damage caused by improper treatment is not covered by the product warranty – refer to warranty conditions.



AOWOB CPAU

AOWOB CPWHAU

To see the complete Aio range go to [www.reece.com.au/bathrooms](http://www.reece.com.au/bathrooms)



Disclaimer: Products in this specification manual must by regulation be installed by licensed and registered trade people. The manufacturer/distributor reserves the right to vary specifications or delete models from their range without prior notification. Dimensions are nominal measurements only. Dimensions and set-outs listed are correct at time of publication however the manufacturer/distributor takes no responsibility for printing errors.  
Tech Page Version 1

# METHVEN

# reece

# METHVEN

## AURAJET AIO HAND SHOWER

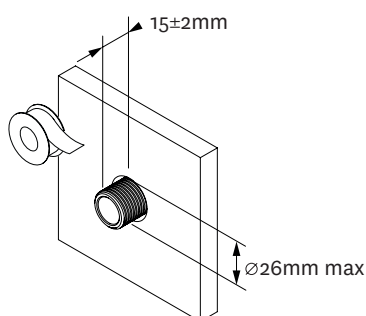
### INSTALLATION INSTRUCTIONS

**IMPORTANT:** Please read all of the instructions before installation.

**IMPORTANT:** Before you begin, turn off the water supply.

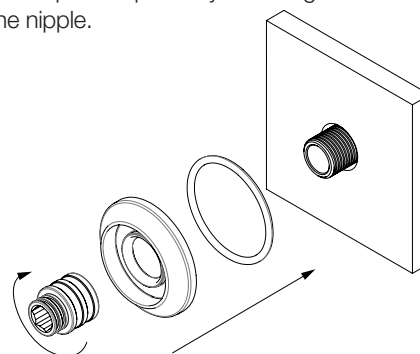
#### Step 1

- Wall lining hole should be cut or finished as per the dimension shown in the diagram below.
- Cut off the threaded nipple 15 ±2mm from the wall lining and apply thread seal tape to ensure a good seal.



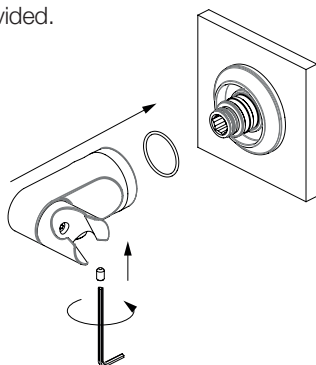
#### Step 2

- Insert faceplate o-ring into the groove in the faceplate and slide the faceplate over the nipple.
- Secure faceplate in place by screwing the inlet connector onto the nipple.



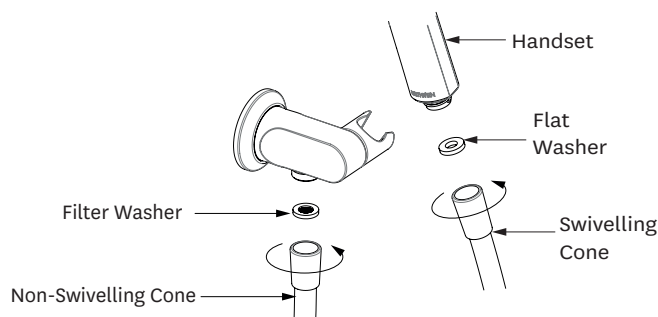
#### Step 3

- Ensure outlet bracket o-ring is located on faceplate.
- Firmly push the outlet bracket onto the inlet connector and secure in place by tightening the grub screw firmly using the hex key provided.



#### Step 4

- Connect hose to outlet bracket and handset.
- Ensure swivelling cone is connected to the handset.

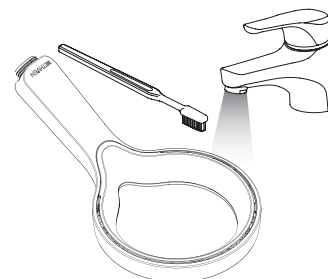
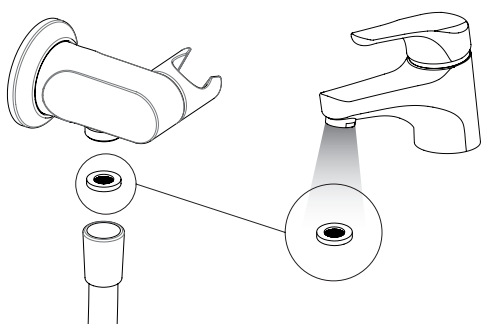


### Care and Cleaning

We recommend the use of soapy water or approved cleaners. This product should not be cleaned with abrasive materials. Damage caused by improper treatment is not covered by the product warranty – refer to warranty conditions.

A filter washer should be installed in the hose cone on the water outlet and it should be cleaned periodically.

If shower performance is compromised by the build-up of lime-scale, clean by using a soft toothbrush and gently scrubbing along the spray slot under running water.



Plumbers, please ensure a copy of the installation instructions is left with the end user for future reference