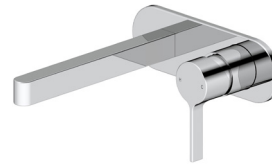


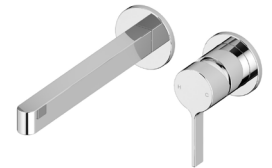
Mizu Stream Wall Basin Mixer Set

SPECIFICATIONS

Recommended Use	Domestic, Hotel & Commercial	
Colour Finishes	Chrome:	9560008
	Matte Black:	9560009
	Brushed Nickel:	9560010
	Chrome:	9507496
	Matte Black:	9507506
Brushed Nickel:	9507516	
Material	Brass	
Cartridge Type	Ceramic Disc	
Recommended Pressure Range	150 - 500 kPa	
Max Continuous Working Pressure	1000 kPa	
Max Continuous Working Temperature	65 deg C	
Suitable for Storage Tank Hot Water	Yes	
Suitable for Continuous Flow Hot Water	Yes	
Suitable for Gravity Feed Hot Water	No	
WARRANTY		
Warranty - Domestic Use	10 Years	
Spare Parts	12 Months	
<i>Please refer to Warranty Page for full Terms and Conditions</i>		
* This product includes two types of cover plates. Please advise the installer on which cover plate is preferred to avoid any installation issues.		



Chrome: 9507496



Chrome: 9560008



Matte Black: 9507506



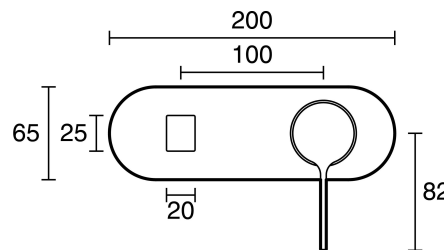
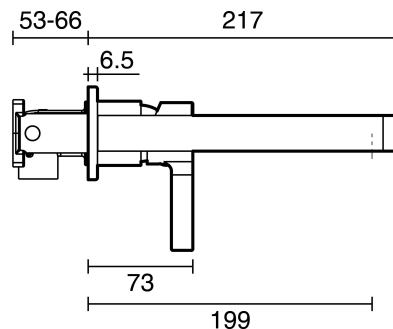
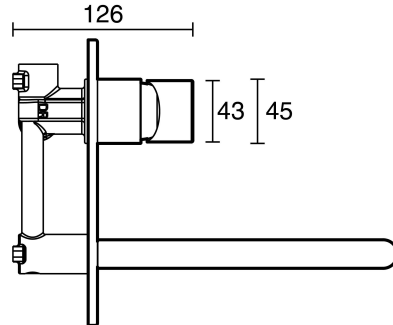
Matte Black: 9560009



Brushed Nickel: 9507516



Brushed Nickel: 9560010



CLEANING RECOMMENDATIONS:

We recommend the use of soapy water or approved cleaners. This product should not be cleaned with abrasive materials. Damage caused by any improper treatment is not covered by the product warranty. Refer to Warranty document.

Dimensions are nominal measurements only.

Disclaimer: Products in this specification manual must by regulation be installed by licensed and registered trade people. The manufacturer/distributor reserves the right to vary specifications or delete models from their range without prior notification. Dimensions are nominal measurements only. Dimensions and set-outs listed are correct at time of publication however the manufacturer/distributor takes no responsibility for printing errors.

Published 08/11/2022

