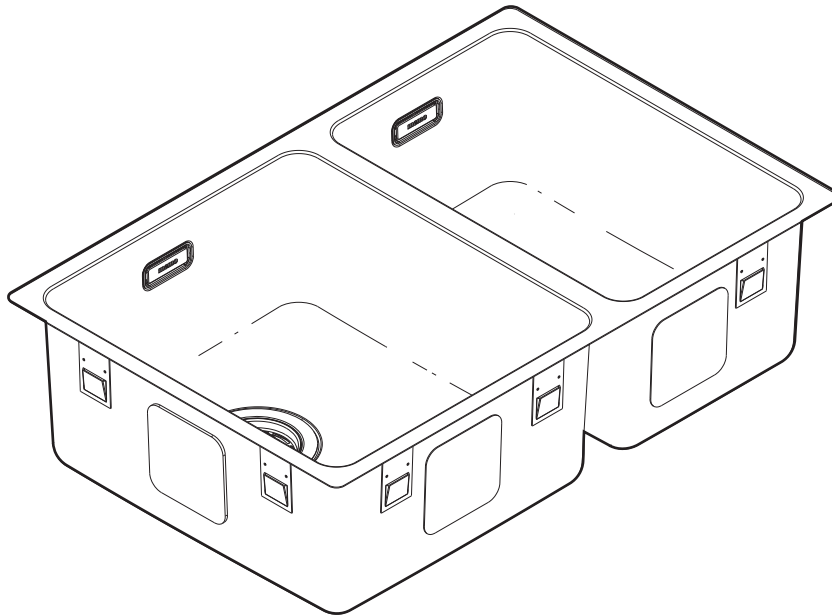


Memo Oscar Inset-Undermount 1 & 1/2 Bowl Sink Overflow No Taphole



Compliance

Important



Comply with current Drainage and Plumbing Regulations as required by your local authority. Sanitary plumbing shall only be carried out by a Registered Plumber. All plumbing work must be done in accordance with local and national building and plumbing codes as applicable.

Installation Precautions

Important



Do not leave any debris, residue or tools that may cause damage to sink surface during or after installation.

Important



Only use approved cleaners or products that are recommended for cleaning and maintenance of stainless steel sinks.

Prior To Installation

Important



Check Bowl for any defects or signs of damage. Do not install if defects or damage found.

Important



Determine position that Bowl will be installed.



Memo Oscar Inset-Undermount 1 & 1/2 Bowl Sink Overflow No Taphole

Diagram

Memo Oscar Inset-Undermount 1 & 1/2 Bowl Sink Overflow No Taphole

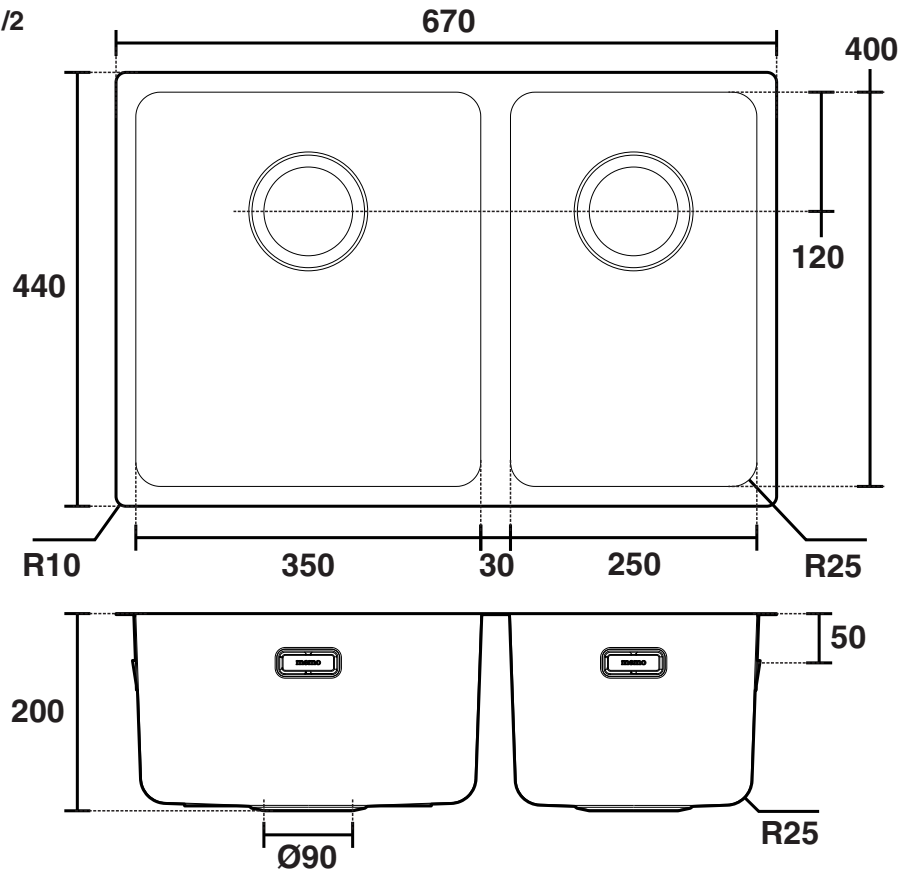
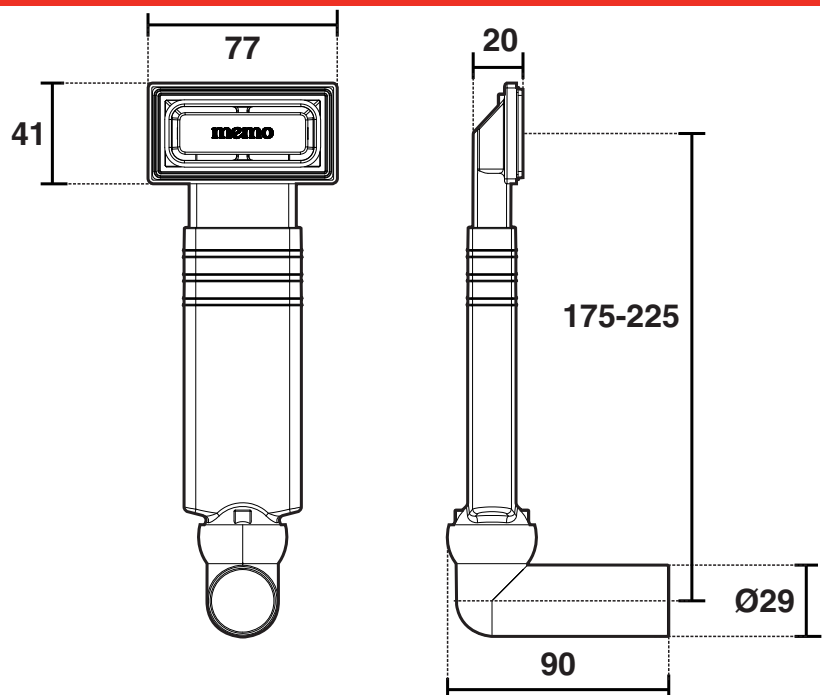


Diagram - Overflow



Memo Oscar Inset-Undermount 1 & 1/2 Bowl Sink Overflow No Taphole

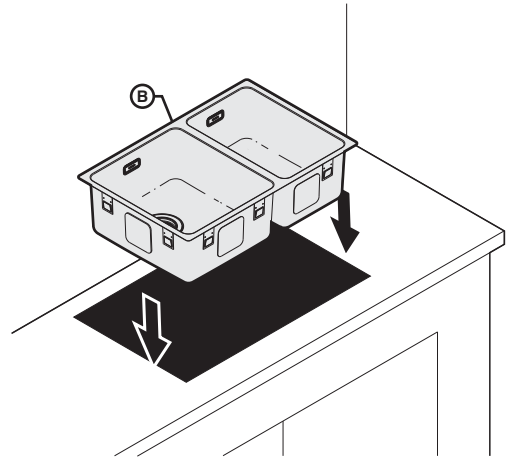
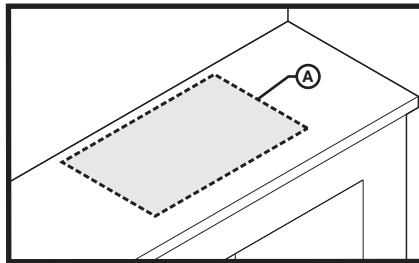
Inset-Installation

1. Use the Template (A) provided to trace the cut-out on both the benchtop and underlay/timber lining.

Note: Check that template is correct to match sink.

Note: Template has cut out lines for both inset and undermount installation. Ensure correct cutout line to match installation type.

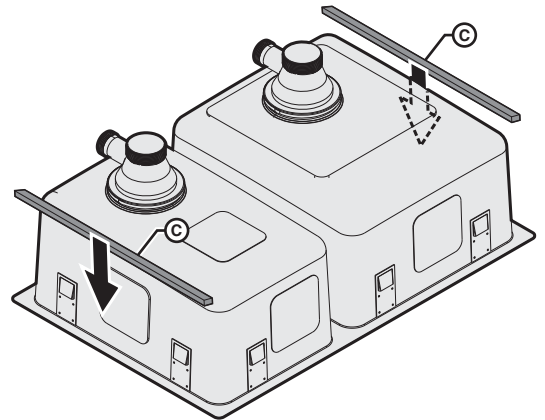
2. Cut out bench top.
3. Position Sink (B) into bench top and mark out position for the fixing clips.



4. Install supplied adhesive Foam Seal (C) to underside rim of the sink.

Note: If silicone is used to also seal sink to benchtop it needs to be a thin bead and needs to neutral cure and mould resistant.

Any excess sealant needs to be immediately removed.



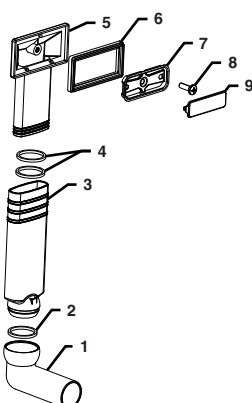
Important



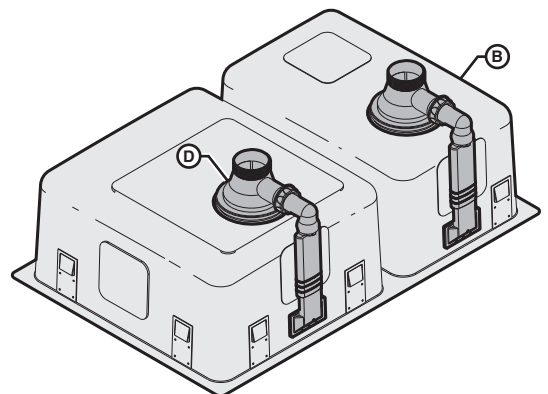
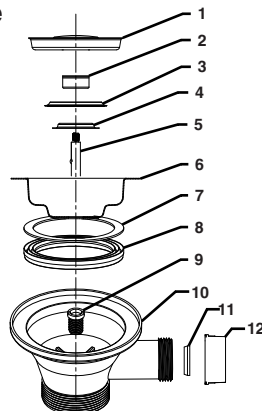
Under no circumstances are epoxy glues to be used to secure sink.

5. Pre-Fit supplied Overflow Basket Waste, Basket Waste & External Overflow Kit (D) to Sink (B) ensuring all connection are tightened firmly.
6. Position assembled sink into cut out and align as required.

Overflow



Waste



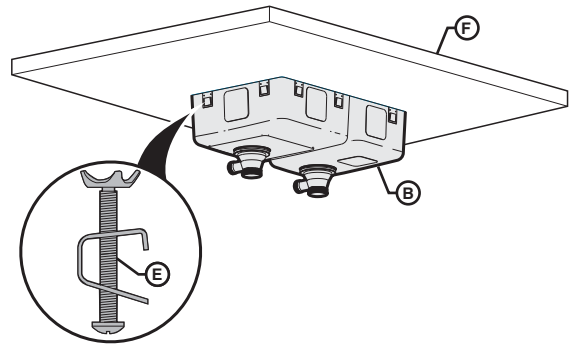
Memo Oscar Inset-Undermount 1 & 1/2 Bowl Sink Overflow No Taphole

Inset-Installation

- From underneath, install Mounting Clips (E) by inserting into grooved slotted tabs.

Note: Mounting Clips are suitable for benchtops up to 50mm thickness.

- Secure Sink (B) to Benchtop (F) by tighten bolt on the clip. Alternate between clips to ensure an even seal.
- Once all plumbing connection have been completed, fill sink to overflow level then check for any leaks.

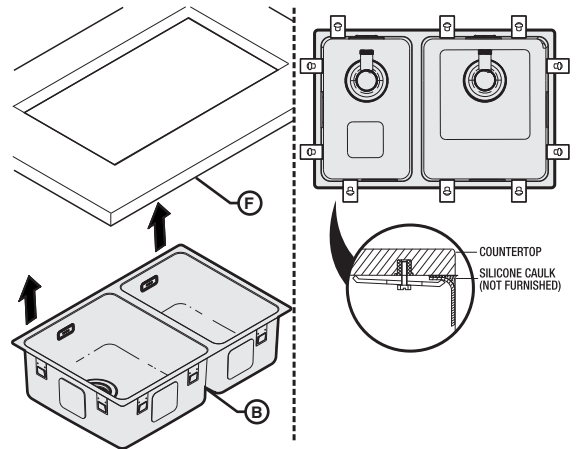
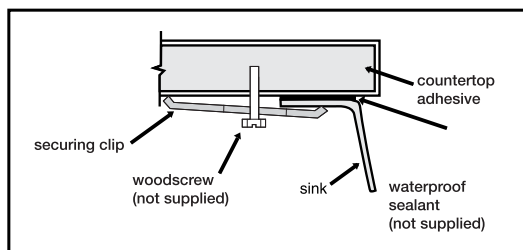


Undermount Installation

Note: Follow Steps 1, 2, 5 & 9 as per Inset Installation.

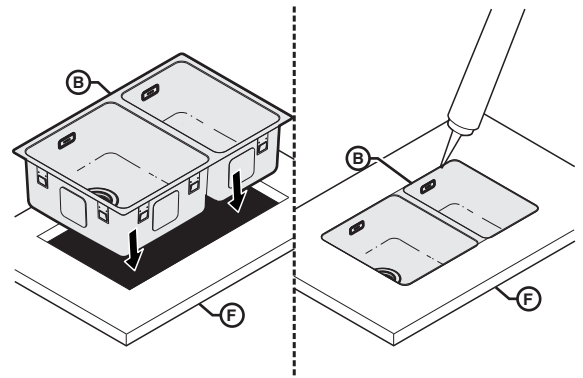
Timber/Laminate Benchtops

- Position Sink (B) underneath Benchtop (F) and mark out position for fixing brackets. (Space evenly)
- Apply sealant/adhesive (Not epoxy) to rim of Sink (B) and position underneath Benchtop (F).
- Install fixing brackets to secure Sink (B), remove any excess sealant.



Stone/Solid Benchtops

- If using sandwich technique, silicone both underneath rim of undermount bowl and around underlay/timber lining cutout.
- Place Sink (B) into position & silicone around lip to seal between bench and Sink (B).

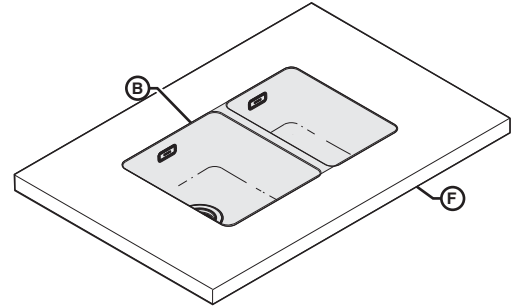


Memo Oscar Inset-Undermount 1 & 1/2 Bowl Sink Overflow No Taphole

Undermount Installation

3. Install Benchtop (F) over sink to sandwich between Benchtop (F) and underlay timber substrate.

Note: If using supplied undermount fixing brackets follow instruction for wooden/laminate benchtop or affect wooden blocks to underside of benchtop to screw fixing brackets into.



Care Details

We recommend the use of soapy water or approved cleaners. This product should not be cleaned with abrasive materials. Damage caused by any improper treatment is not covered by the product warranty - refer to Warranty Conditions.

Plumbers, please ensure a copy of the installation instruction is left with the end user for future reference.

