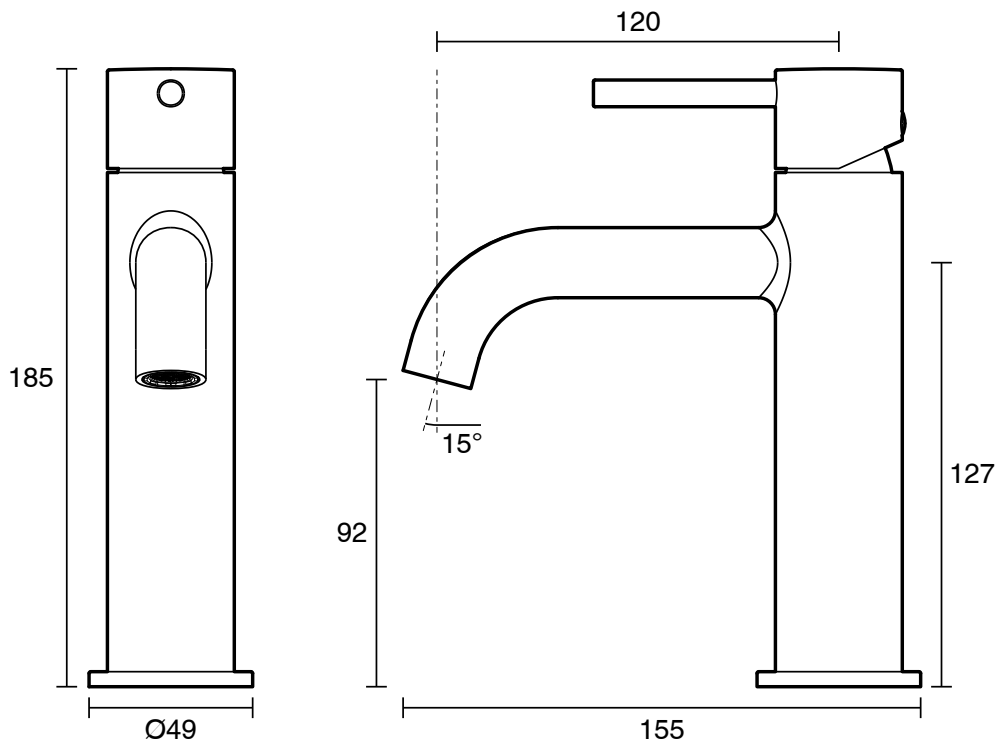


mizu

Mizu Drift Basin Mixer Curved Spout Brushed Nickel (6 Star)

2267240

SPECIFICATIONS	
Recommended Use	Commercial, Domestic & Hotel
Colour	Brushed Nickel
Primary Material	Lead Free Brass
Maximum Continuous Working Pressure	1000 kPa
Maximum Continuous Working Temperature	65 deg C
Suitable for Storage Tank Hot Water	Yes
Suitable for Continuous Flow Hot Water	Yes
Suitable for Gravity Feed Hot Water	No
WARRANTY	
Warranty - Domestic Use	10 Years
Spare Parts & Labour	1 Years
<i>Please refer to Warranty Page for full Terms and Conditions</i>	



Dimensions are nominal measurements only.

CLEANING RECOMMENDATIONS:

We recommend the use of soapy water or approved cleaners. This product should not be cleaned with abrasive materials. Damage caused by any improper treatment is not covered by the product warranty. Refer to Warranty Conditions

Disclaimer: Products in this specification manual must by regulation be installed by licensed and registered trade people. The manufacturer/distributor reserves the right to vary specifications or delete models from their range without prior notification. Dimensions are nominal measurements only. Dimensions and set-outs listed are correct at time of publication however the manufacturer/distributor takes no responsibility for printing errors.

Published 05/07/2024

To see the complete Mizu range go to www.reece.com.au

