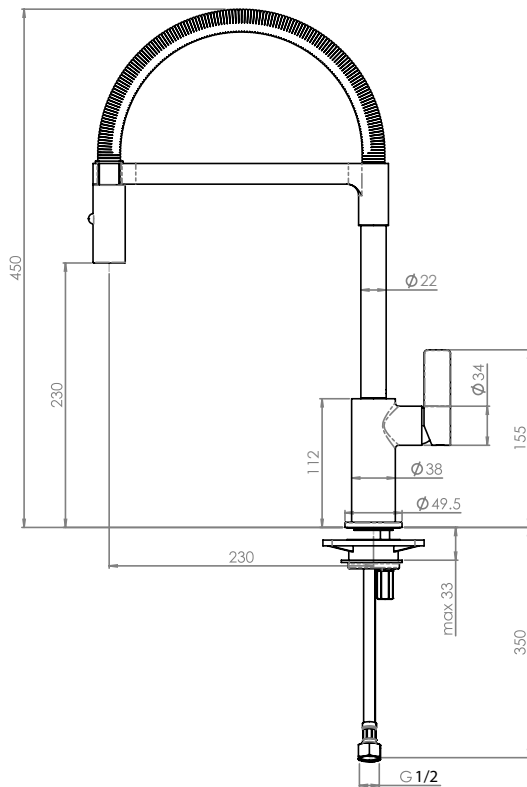


Nobili Flag Pull Down Sink Mixer (5 Star)



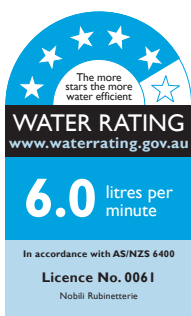
SPECIFICATIONS

Recommended use	Domestic, hotel and commercial
Colour availability	Chrome
Pressure rating	Maximum continuous operating pressure 1000 kPa. Note: For best performance and longer life we recommend 150-500 kPa.
Temperature rating	Maximum continuous working temperature 80°
Suitable Hot Water Units	Storage tank: Yes Continuous Flow: Yes Gravity Feed: Not recommended
WELS	Stars: 5 Flow rate: 6 L/min
Standards	AS/NZS 3718



CLEANING RECOMMENDATIONS

We recommend the use of soapy water or approved cleaners.
This product should not be cleaned with abrasive materials.
Damage caused by any improper treatment is not covered by the product warranty- refer to Warranty Conditions.



Disclaimer: Products in this specification manual must by regulation be installed by licensed and registered trade people. The manufacturer/distributor reserves the right to vary specifications or delete models from their range without prior notification. Dimensions are nominal measurements only. Dimensions and set-outs listed are correct at time of publication however the manufacturer/distributor takes no responsibility for printing errors.

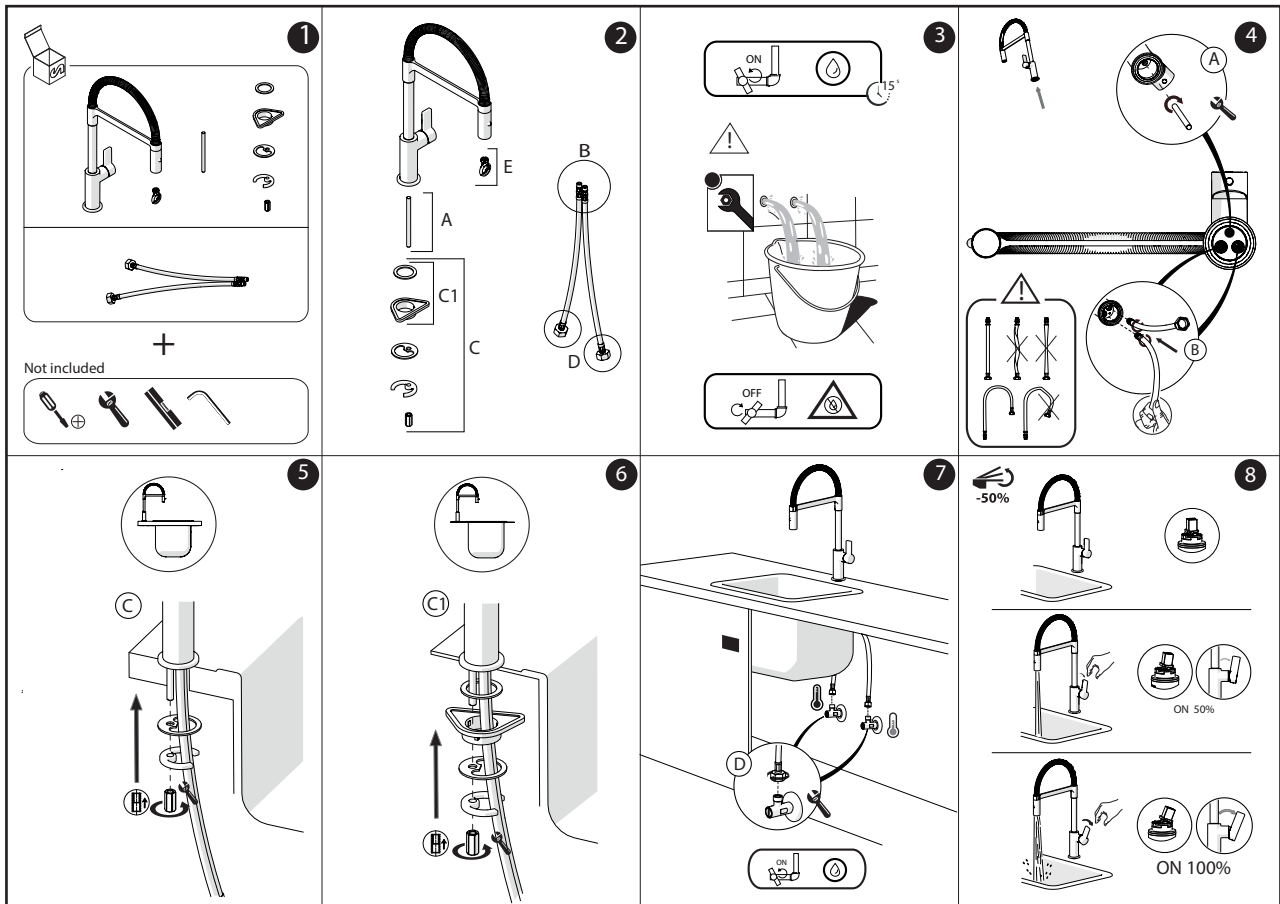
Tech Page Version 3

Nobili Flag Pull Down Sink Mixer (5 Star)

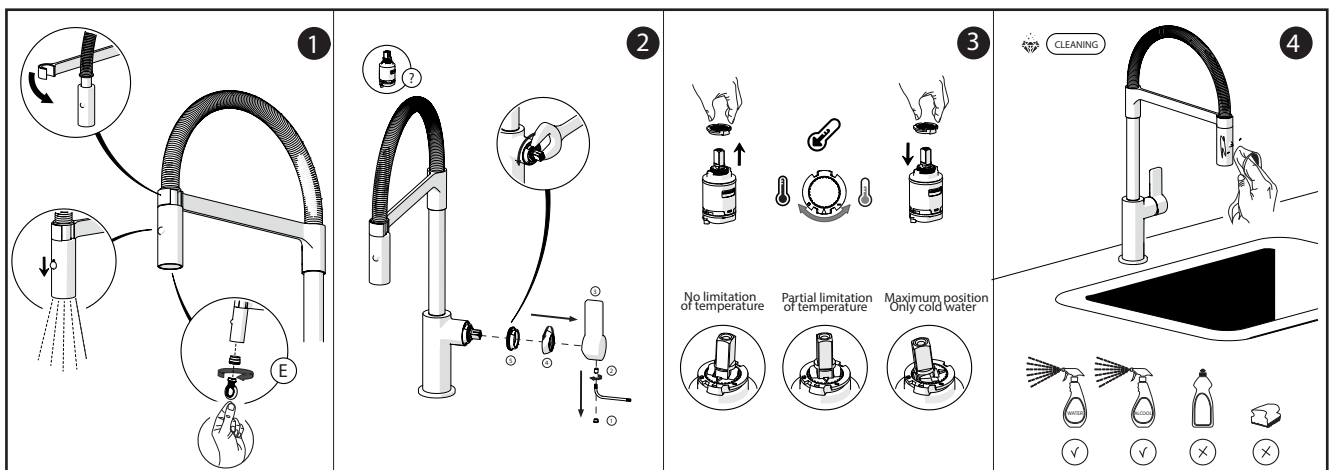
INSTALLATION INSTRUCTIONS

Important Note

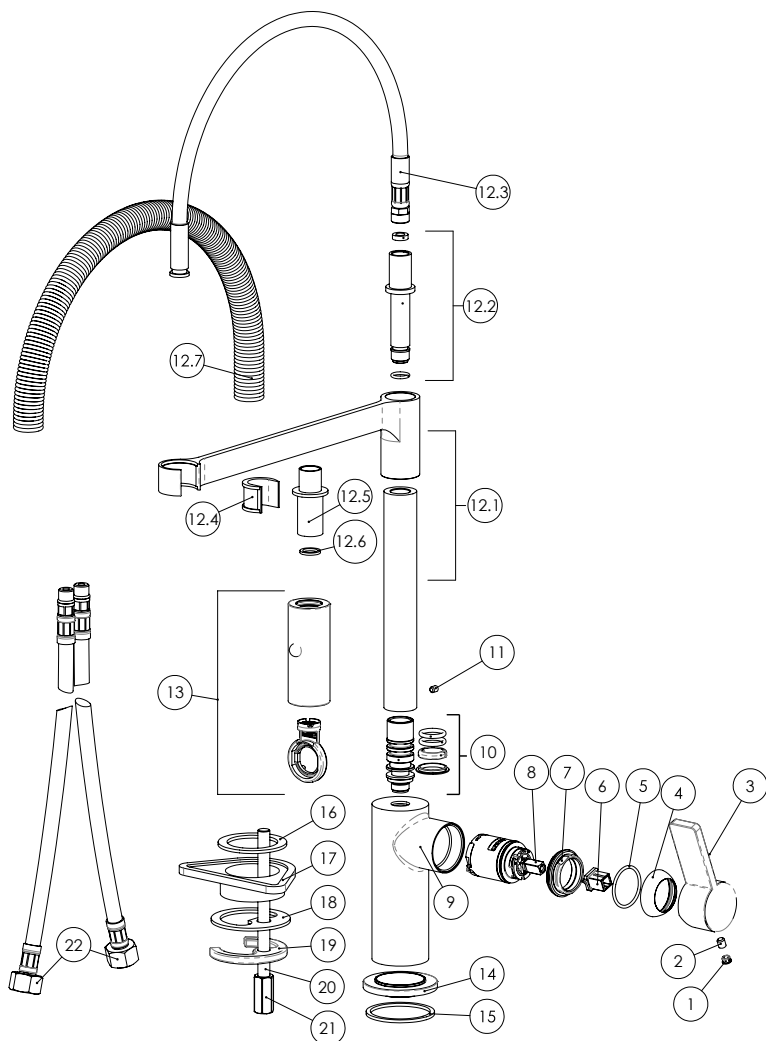
Mixer must be installed to the requirements of AS/NZS 3500 by a qualified plumber. Your mixer comes to you already factory assembled and tested. We do not recommend the dismantling of any internal part of the mixer. The mixers are factory tested and sealed so as to give the best performance.



SERVICING-REPLACEMENT OF CARTRIDGE



Nobili Flag Pull Down Sink Mixer (5 Star)



EXPLODED VIEW

Item	Description
1	Decorative Cover
2	Grub Screw
3	Mixer Handle
4	Cartridge Dome
5	O Ring
6	Thermal Barrier
7	Cartridge Lock Nut
8	Cartridge
9	Mixer Body
10	Outlet Connection Assembly
11	Grub Screw
12	
12.1	Hose Guide Support Arm
12.2	Hose Connection Assembly
12.3	Hose
12.4	Insert Coupling
12.5	Spacer
12.6	Gasket
13	Pull Out Handpiece Complete
14	Dress Ring
15	Rubber Gasket
16	Rubber Sealing Washer
17	Stabalising Plate
18	Plate Seal
19	Horse Shoe Plate
20	Fixing Rod
21	Hex Nut
22	Flexible Hoses