

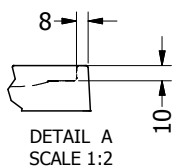
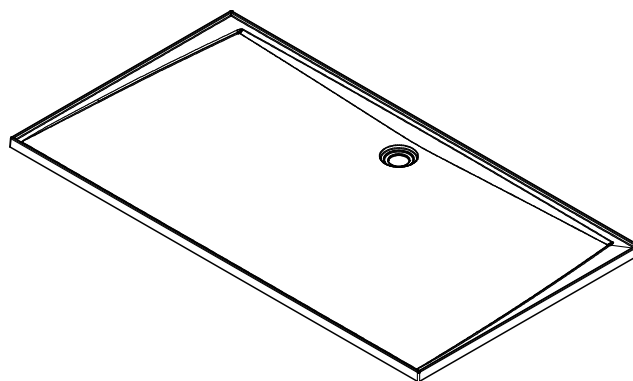
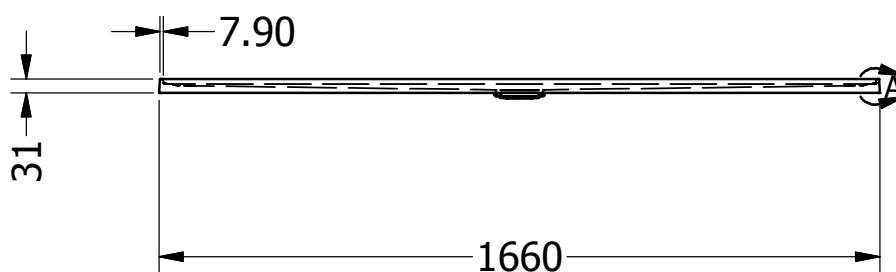
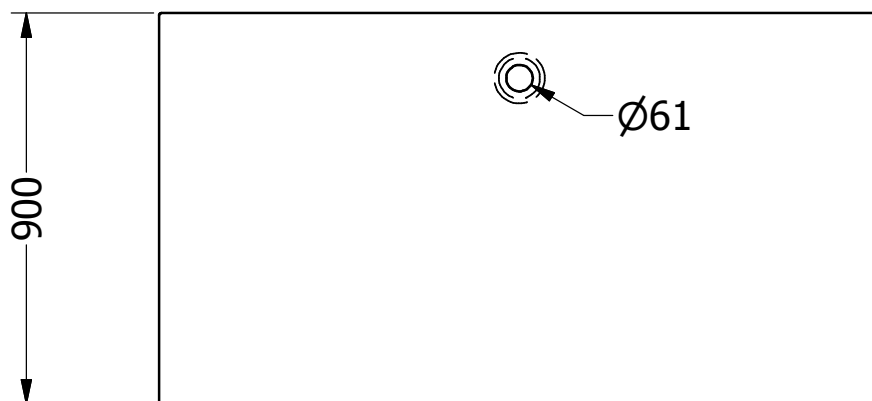






# POSH

## BRISTOL TORBEX SHOWER BASE



## INSTALLATION INSTRUCTIONS

The shower base should be visually checked for defects prior to installation. Failure to do so will void warranty.

Note: Please check minimum/maximum adjustments of your shower screen before commencing the installation of base.

The following points should be taken into account to determine if the installation method used will be suitable for the screen selected.

- Wall lining thickness
  - Check in depth
  - Tiled or Acrylic walls
  - Front and return tile flange
1. Floorboards or sheet flooring must cover the entire underside of the Posh Bristol shower base. Cut a hole through the floor no greater than 200mm x 200mm. Concrete should be cut wider at 300mm x 300mm. If you are doing a renovation, the floorboards must be checked for durability as rotting may have occurred and the flooring may need to be replaced.
  2. The Posh Bristol shower base can be installed on silicone or building adhesive over the total base area. Lay the base on the floor and check that it is level on both sides as well as the front and the rear. This will ensure that the base drains effectively to the waste outlet. Note: If your floor is not level, use a cement based tile adhesive spread over the floor with a 12mm notched trowel to ensure the base is fully supported. Cement based tile adhesive must be left to cure before installing the Posh Bristol shower base.
  3. It is essential to test for water run off to the waste outlet prior to commencing the installation of the shower walls. This will ensure the shower base is draining correctly. Failure to follow this step will void the guarantee.
  4. It is highly recommended that you cover and protect the Posh Bristol shower base throughout installation and until it comes into service.
  5. Finally apply silicone to the bottom edge of the shower wall to the shower base before the screen is fitted. You will also require silicone around the shower base outlet.

## CLEANING:

The surface of the Posh Bristol shower base will resist most surface build up. To preserve the superior appearance of the shower based it is best cleaned with a soft cloth with warm soapy water, or general household detergent.

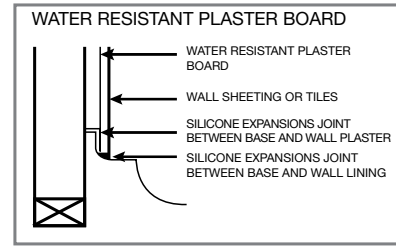
## AVOID ABRASIVES

Please avoid using abrasive cleaning products, as well as steel wool and abrasive cloths.

**Plumbers, please ensure a copy of the installation instructions is left with the end user for future reference**

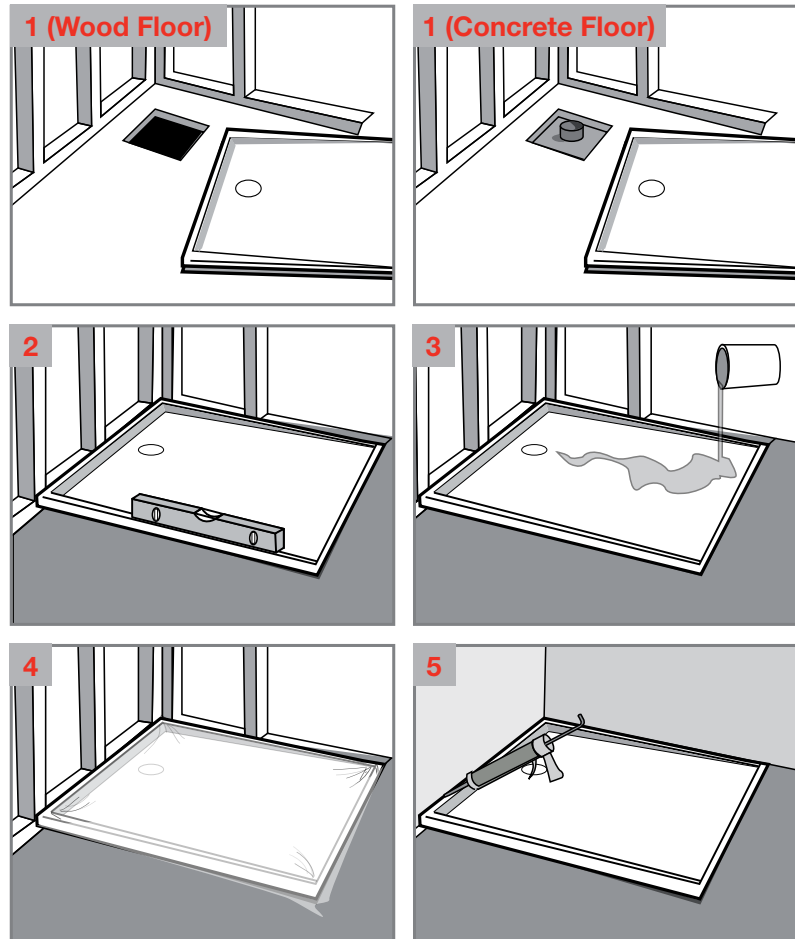
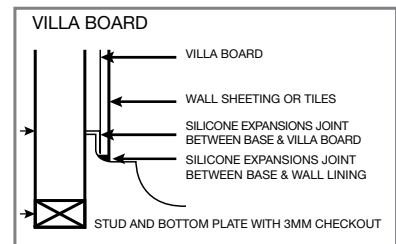
## WATER RESISTANT PLASTER-BOARD INSTALLATION:

The Posh Bristol shower base has a 9mm wide tile flange. Place the base against the framework, install water resistant plaster-board directly on top of the tile flange and seal the joint with silicone sealant.

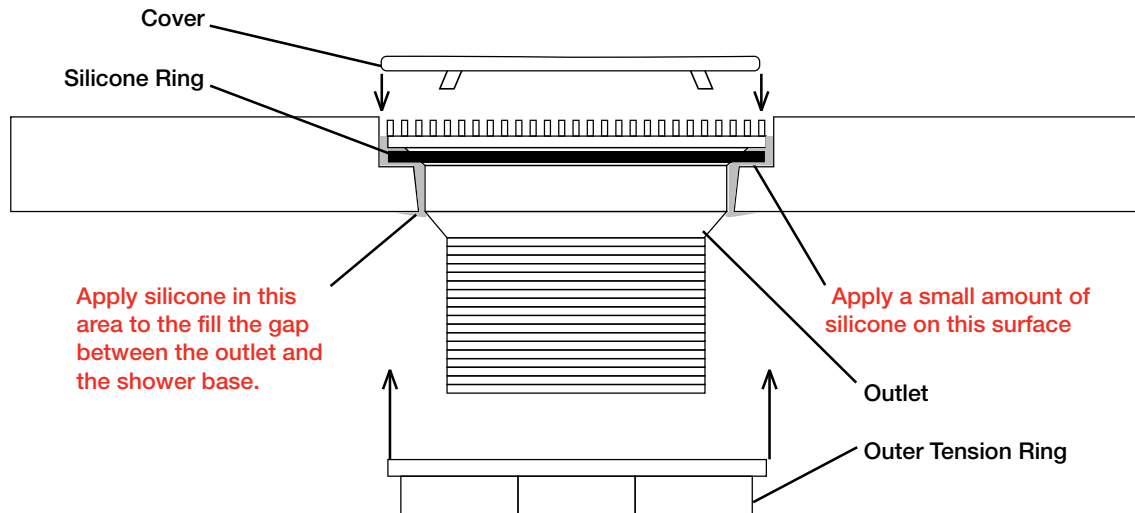


## VILLABOARD INSTALLATION:

When using Villaboard, the Posh Bristol shower base will need to be checked into the framework at a minimum of 3mm. Install the Villaboard directly on top of the tile flange and seal the joint with a silicone sealant.



## FITTING INSTRUCTIONS FOR POSH BRISTOL WASTE OUTLETS



1. Remove outer tension ring and silicone ring from the assembly.
2. Apply a small amount of silicone onto the top flange and place silicone ring onto the silicone.
3. Place the outlet into the outlet hole, ensuring that the sealing ring is between the outlet and the outlet hole.
4. Apply silicone to the underside of the hole filling the gap between the outlet and the base.
5. Replace the outer tension ring from the underside of the base screwing in a clockwise direction onto the outlet.
6. Tighten the outer tension ring with a spanner, do not over tighten.
7. Attach plumbing connections to the threaded outlet.
8. Check for water tightness, tighten further if necessary.



**Don't risk it, use a licensed plumber.™**