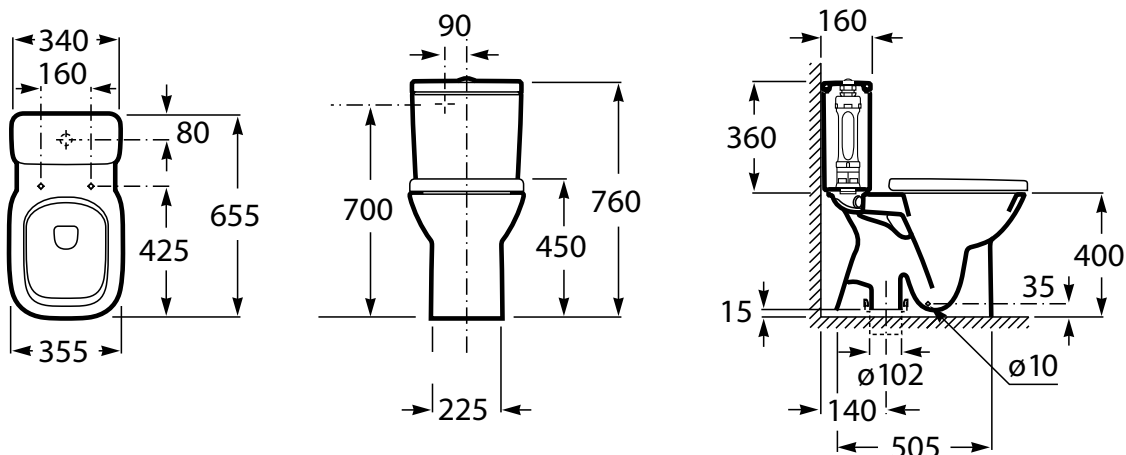


ROCA DEBBA CLOSE COUPLED S TRAP BACK INLET



THIS SUITE CANNOT BE USED WITH 40mm OFFSET PAN COLLAR

Dimensions are nominal measurements only.

SPECIFICATIONS

Recommended use	Domestic, Hotel & Commercial
Material	Pan & Cistern: Vitreous China Seat: Urea
Colour	White
Weight	Pan: 27Kg Cistern: 12 Kg
Water Inlet	Back Inlet
Inlet Valve	Recommended maximum working pressure 1000 kPa
Bowl configuration	S Trap
Rim Configuration	Box Rim
Seat	Soft Close Quick Release Seat
Cistern Fixing	Bolted directly to Pan
Pan fixing	Screwed to the floor using brackets and bedded with sealant



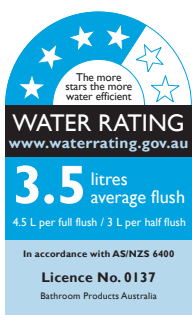
To see the complete ROCA range go to www.reece.com.au/bathrooms

CLEANING RECOMMENDATIONS

We recommend the use of soapy water or approved cleaners.

This product should not be cleaned with abrasive materials.

Damage caused by any improper treatment is not covered by the product warranty. Refer to Warranty Conditions.



Disclaimer: Products in this specification manual must by regulation be installed by licensed and registered trade people. The manufacturer/distributor reserves the right to vary specifications or delete models from their range without prior notification. Dimensions are nominal measurements only. Dimensions and set-outs listed are correct at time of publication however the manufacturer/distributor takes no responsibility for printing errors.

Tech Page Version 1

