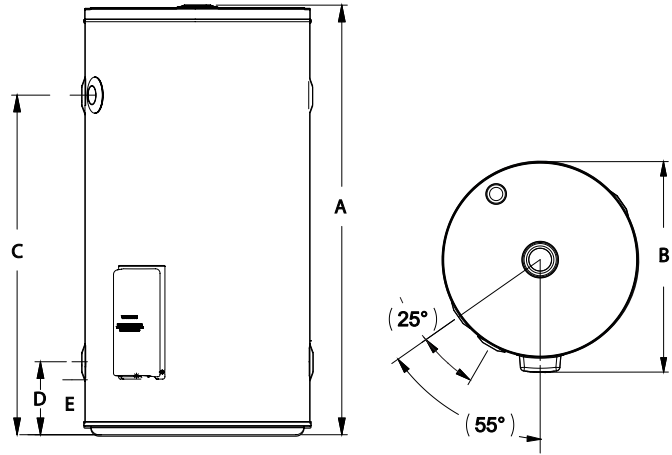


Smart Electric Water Heater



MODEL		80L	125L	160L	250L	315L	400L
Specifications:							
Total Height (A)	mm	925	1090	1315	1445	1765	1705
Total Diameter (B)	mm	490	530	530	620	620	705
Outlet Height (C)	mm	735	865	1095	1210	1530	1445
Inlet Height (D)	mm	160	190	190	195	195	220
Electrical Entry (E)	mm	126	135	135	140	143	168
Connections		90o	90o	90o	90o	90o	90o
Storage Capacity	Liters	88	130	161	259	321	415
Hot Water Delivery	Liters	80	125	160	250	315	400
Net Weight Empty	Kgs	41	51	59	72	93	115
Element Size (kW)	kW	1.8, 2.4, 3.0	1.8, 2.4, 3.0	1.8, 2.4, 3.0	1.8, 2.4, 3.0	1.8, 2.4, 3.0	2.4, 3.0
Relief Valve							
Pressure (kPa)	kPa	1000	1000	1000	1000	1000	1000
Temperature (°C)	°C	99	99	99	99	99	99
Power Rating (kW)	kW	10	10	10	10	10	10

WARRANTY

Product Warranty 10 years Tank
3 Years Wi-fi Module, Connecting Cable, Thermostat & Element
1 year Parts and Labour



Tank



Wi-fi Module, Connecting Cable, Thermostat & Element



Parts and Labour

Disclaimer: Products in this specification manual must by regulation be installed by licensed and registered trade people. The manufacturer/distributor reserves the right to vary specifications or delete models from their range without prior notification. Dimensions are nominal measurements only. Dimensions and set-outs listed are correct at time of publication however the manufacturer/distributor takes no responsibility for printing errors.

Tech Page Version 1

Don't risk it, use a licensed plumber.™

