

UNILIFT CC

SUBMERSIBLE DRAINAGE PUMP



WATER SOURCE



Clean Water



Storm/
Grey Water

APPLICATION



Clean Water
Drainage



Storm/Grey
Water Handling



SCAN THE QR CODE
TO LINK TO GRUNDFOS
PRODUCT CENTER

The Grundfos UNILIFT CC is a submersible drainage pump ideal for all types of storm water and grey water handling around the home.

- **Able to pump down to just 3 mm of water** - Can pump down to a water level of just 3 mm after removing the strainer, making it perfect for draining pools, ponds or tanks for maintenance
- **Suitable for fully or partially submerged use** - Comes with an integrated motor cooling jacket, allowing the pump to operate for extended periods whilst only partially submerged
- **High quality** - Constructed of corrosion resistant composite and stainless steel components inside and out
- **Light weight** - At a weight of no more than 7 kg, the UNILIFT CC can be used in either a permanent installation or as a portable drainage pump
- **Easy submerged installation – plug & pump** - Connect the pump outlet to the pipework, plug into a power outlet and you're ready to pump



PUMP SIZING

	UNILIFT CC 5	UNILIFT CC 7	UNILIFT CC 9
	32 mm pipework 0.8 l/sec flow rate	32 mm pipework 0.8 l/sec flow rate	32 mm pipework 0.8 l/sec flow rate
Vertical Height	Maximum Horizontal Pipe Length		
6 m			3 m
5 m			8 m
4 m			14 m
3 m		8 m	19 m
2 m	6 m	16 m	24 m
1 m	30 m	25 m	29 m

Flow based on at least 1 m/sec velocity

MAXIMUM PARTICLE SIZE

UNILIFT CC	UNILIFT AP 12	UNILIFT AP 35 & AP 35B	UNILIFT AP50 & AP50B
10 mm	12 mm	35 mm	50 mm

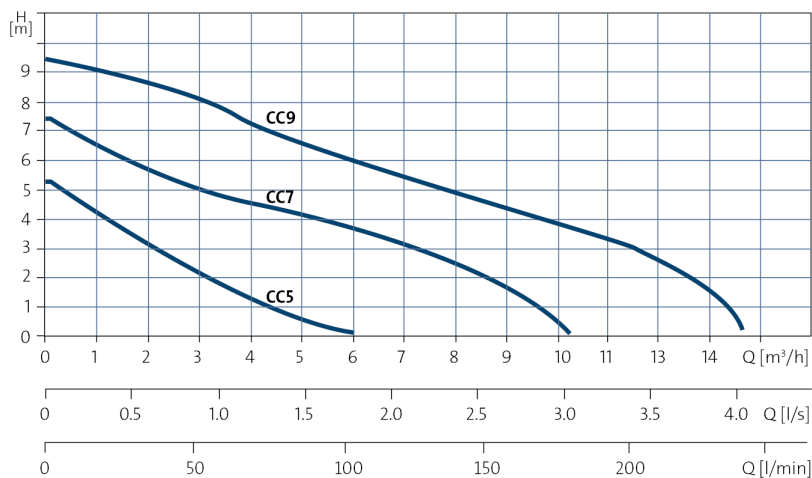
PROTECTION & CONTROL

	UNILIFT CC
Auto Start/Stop by Float Switch	✓
Non-Return Valve	✓
Motor Cooling Jacket	✓
Automatic Restart	✓



TECHNICAL & PERFORMANCE DATA

PERFORMANCE CURVE



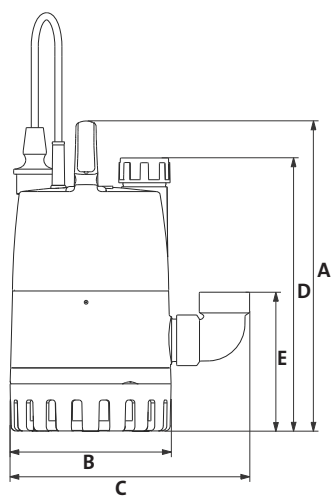
OPERATING CONDITIONS

Liquid Temperature	0°C to +40°C
Max. Particle Size	10 mm
Max. Installation Depth	10 m
Minimum Pumping Level	Down to 3 mm (after removal of strainer)
pH value of pumped liquid	4 to 9

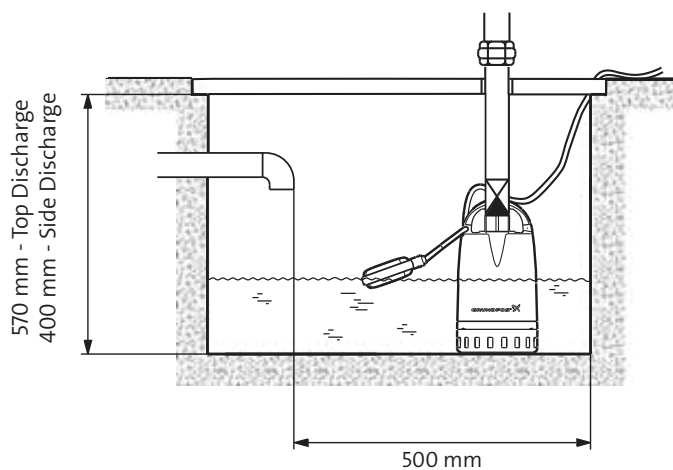
TECHNICAL DATA

Power Supply Voltage	220-240 Volt, 50 Hz
Power Supply Cable	5 m/ 10 m with plug
Enclosure Class	Suitable for submerged installation (IP68)
Approvals and Markings	C-Tick Compliance
Impeller Type	Semi-open

PHYSICAL ATTRIBUTES



MINIMUM PIT DIMENSIONS UNILIFT CC



Model	Motor Power P2 (kW)	Connections		Dimensions (mm)					Weight (kg)
		Outlet (Top)	Outlet (Side)	A (h)	B (w1)	C (w2)	D (outlet 1)	E (outlet 2)	
UNILIFT CC 5	0.24	¾", 1" or 1¼" Male	1¼" Female	306	160	238	270	90	5
UNILIFT CC 7	0.38	¾", 1" or 1¼" Male	1¼" Female	306	160	238	270	90	5
UNILIFT CC 9	0.78	¾", 1" or 1¼" Male	1¼" Female	342	160	238	308	90	7