

## Posh Solus Tile Over Shower Tray with 1140mm Long Rear Matte Black Tile Insert Channel Suits Tiles up to 8mm (For 3 Wall / Alcove Install) 1200mm x 900mm

9512251

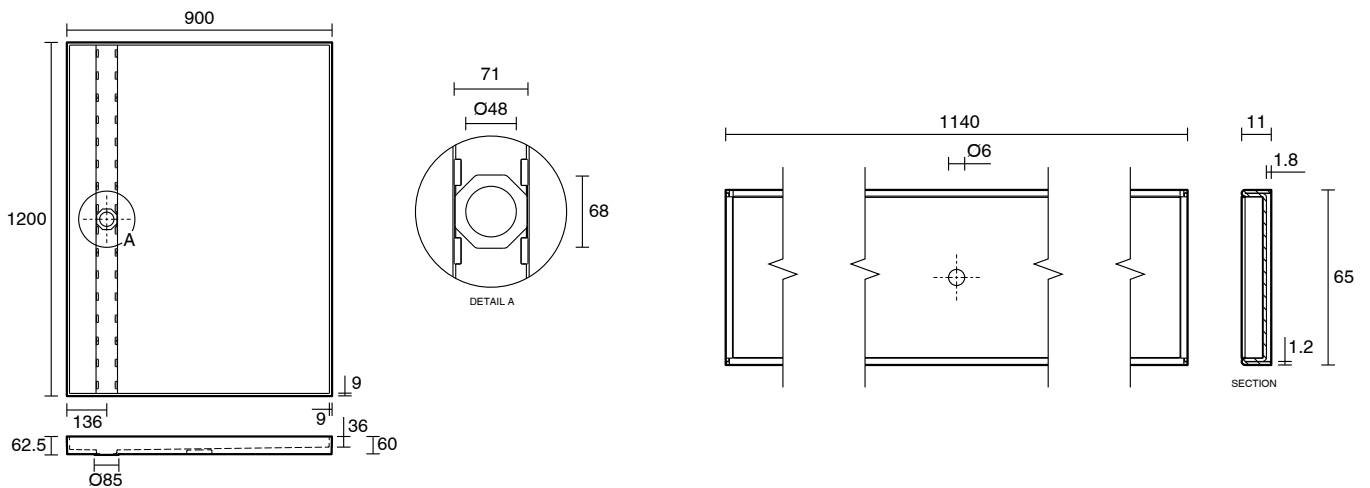
### SPECIFICATIONS

Recommended Use	Domestic, Hotel & Commercial
Shower Base Colour	Grey
Shower Base Material	SMC
Shower Grate Material	Stainless Steel (316 Grade)
Waste Position	Centre Rear
Shower Base Waste Size	50 mm
Weight of Shower Base	22 kg
Usage	Alcove Install

### WARRANTY

Warranty - Domestic Use	10 Years
Spare Parts & Labour	12 Months

Please refer to Warranty Page for full Terms and Conditions



Dimensions are nominal measurements only.

### CLEANING RECOMMENDATIONS:

We recommend the use of soapy water or approved cleaners. This product should not be cleaned with abrasive materials. Damage caused by any improper treatment is not covered by the product warranty. Refer to Warranty Conditions

**Disclaimer:** Products in this specification manual must by regulation be installed by licensed and registered trade people. The manufacturer/distributor reserves the right to vary specifications or delete models from their range without prior notification. Dimensions are nominal measurements only. Dimensions and set-outs listed are correct at time of publication however the manufacturer/distributor takes no responsibility for printing errors.

Published 31/07/2023

To see the complete Posh range go to  
[www.reece.com.au](http://www.reece.com.au)