

Bristol Mk2 Handshower With Wall Bracket (3 Star)

Important Installation Considerations

- NOTE: Some showers may not provide an effective shower when used with gravity fed heated water systems or where pressures are less than 150kPa at the outlet. Additionally showers with flow rates of less than 9L/min may not allow the following to function correctly:
 - _ some instantaneous water heaters
 - _ some tempering valves
 - _ some thermostatic mixing valves
- Some shower heads only operate correctly when hot and cold water supplies are both mains pressure and may not be suitable for some instantaneous hot water services.
- When water pressure is in excess of 500kPa a pressure limiting device is required in accordance with AS/NZS 3500 1.12.

Operating Temperature:

Hot: Max 60°C*

Cold: Min 5°C

Inlet Connections:

All ½" BSP

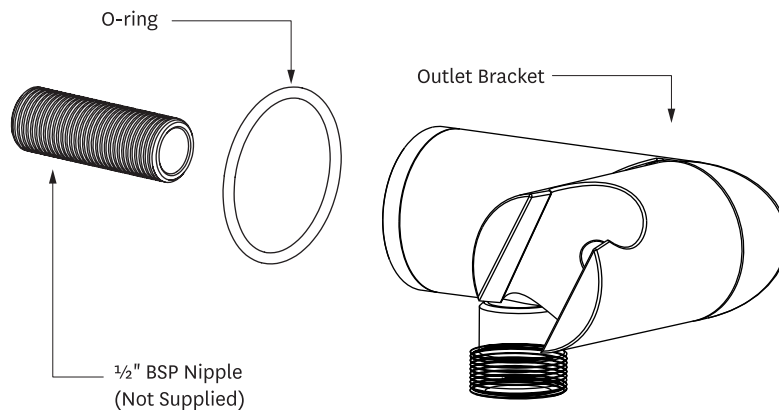
Important Recommended pressure range
150 – 500KPa.

Important Max Continuous Working Pressure 500 Kpa.
Max Continuous Working temperature 60 Deg.

IMPORTANT: Please read all of the instructions before installation.

General:

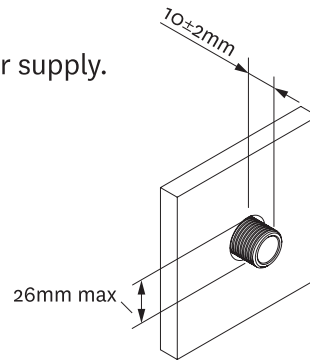
- This product must be installed in accordance with the requirements of AS/NZS 3500.
- After installation all connections must be checked for leaks.
- All outlets used primarily for personal hygiene shall deliver water at a safe temperature as per regional regulations.
- It is the responsibility of the installer to ensure a waterproof seal is achieved between the product and mounting surface. If in doubt about the quality of the seal, remove the product and reinstall using silicone to ensure a seal is achieved.



IMPORTANT: Before you begin, turn off the water supply.

Step 1

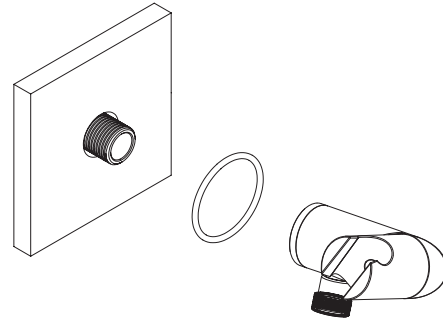
- Wall lining hole should be cut or finished as per the dimension shown in the diagram on the right.
- Cut off the threaded nipple $10\pm 2\text{mm}$ from the wall lining and apply thread seal tape to ensure a good seal.



Step 2

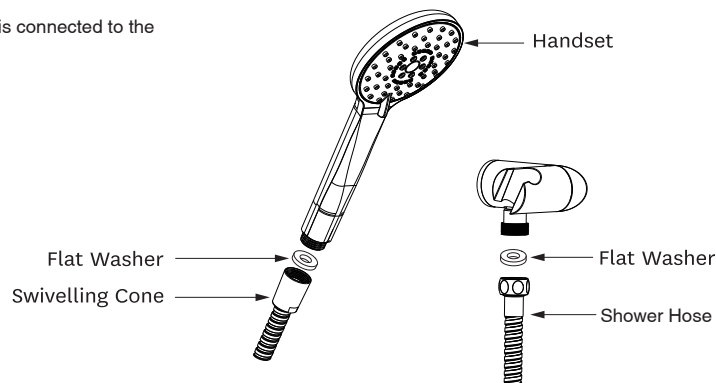
Secure wall outlet bracket to the nipple by screwing until the sealing o-ring is tight against the wall lining.

Important: When screwing the bracket onto the nipple use the base section with hose connector. Do not use the Cover/Handset Holder as a lever as damage may result.

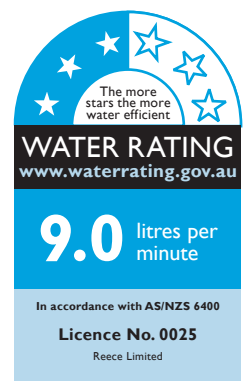


Step 3

- Connect hose to outlet bracket and handset.
- Ensure swivelling cone end is connected to the handset



- Exercise care when installing to avoid damage to fitted flow controller.
- Back flow prevention device fitted for hand held shower.



Care Details

We recommend the use of soapy water or approved cleaners. This product should not be cleaned with abrasive materials. Damage caused by any improper treatment is not covered by the product warranty - refer to Warranty Conditions.

Plumbers, please ensure a copy of the installation instruction is left with the end user for future reference.

