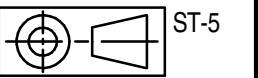


FASCO MOTORS MAY PROVIDE TECHNICAL ASSISTANCE TO OUR CUSTOMERS IN MANY AREAS. HOWEVER, SINCE FASCO MOTOR IS NOT AWARE OF ALL DATA CONCERNING THE USE AND APPLICATION OF THIS MOTOR, THE FITNESS OF THE MOTOR FOR THE APPLICATION MUST BE DETERMINED BY AND IS THE RESPONSIBILITY OF THE CUSTOMER.



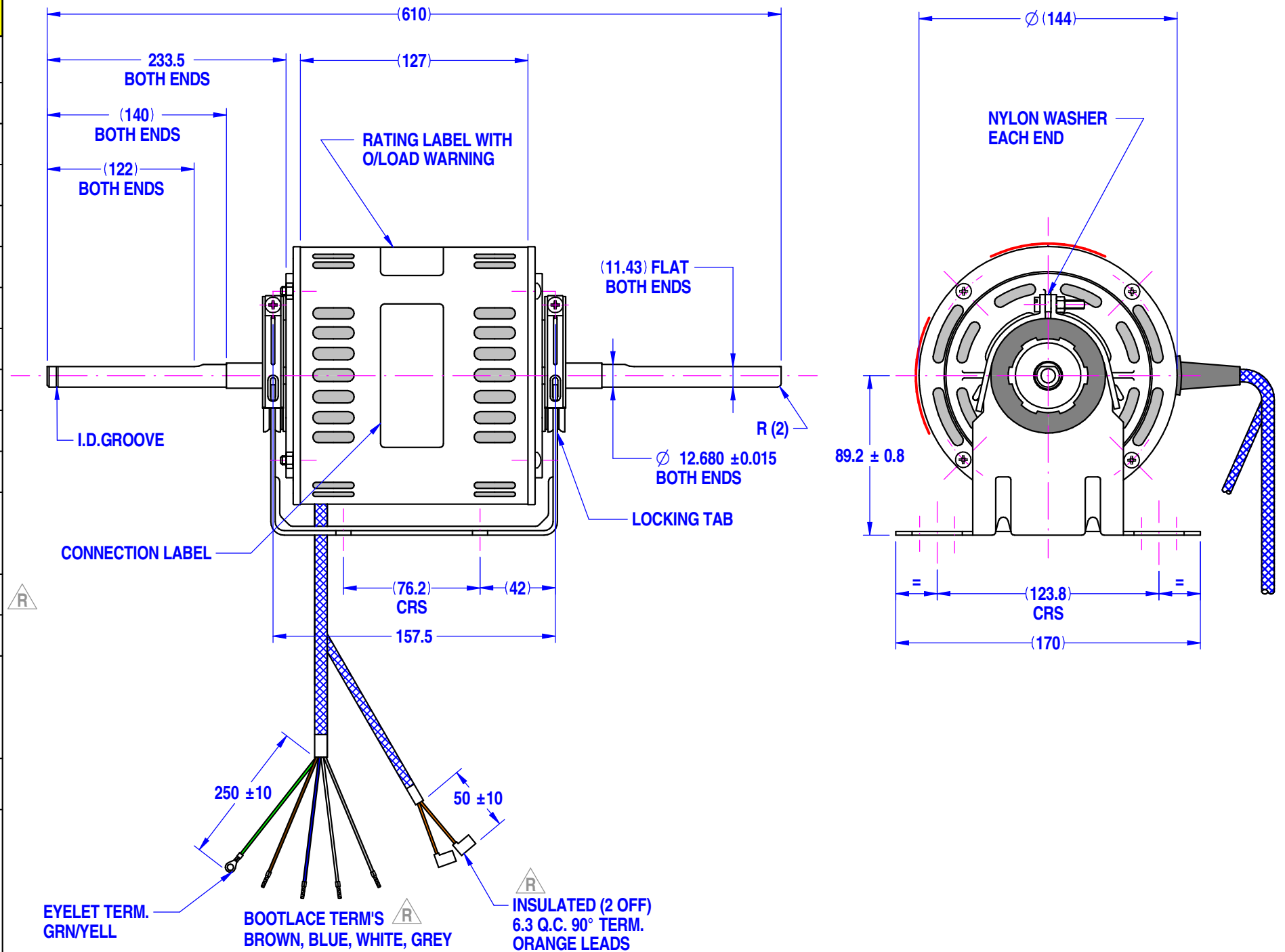
**MOTOR SPECIFICATION**

**8061S082-80**

Q.R. No.	6741	CUSTOMER NO.	-
CUSTOMER	Fasco Australia		
MOTOR RATING	VOLTS	240	Hz 50 Ph 1 Duty AOM
	RPM.	1330	4.0 AMPS
	NOM. OUTPUT	600 WATTS	
ROTATION	ANTI CLOCKWISE LEAD END		
CAPACITOR	START	-----	μF/V RUN 15/440 μF/V
ENCLOSURE	VENTED		
MOTOR TYPE	CSR	INSULATION CLASS	B130
THERMAL PROTECTION	AUTO RESET OVERLOAD		
APPLICATION	FAN COIL UNIT - SHAFT HORIZONTAL		
BEARING D.E.	6202 ZZ	LUBRICATION	LONG LIFE, WIDE RANGE
BEARING N.D.E.	6202 ZZ		
SUPPLY LEAD	SINGLE CORE 1300±30 BRAIDED SLEEVING		
EARTH PROVISION	VIA SUPPLIED LEAD		
BASIC BUILD SPECIFICATION	305-570-02	PAINT/ COLOUR	PC GREY PLAIN E/SHIELDS
PERFORMANCE SPECIFICATION	SP85026-02		
CONNECTION DIAGRAM	393-402-04	RATING LABEL	SSTDAUTO.FMT

FINAL INSPECTED MOTORS MUST COMPLY WITH ELECTRIC MOTOR VIBRATION SPECIFICATION (ES049)

THIRD ANGLE PROJECTION.



DESIGNED AND MANUFACTURED TO AUSTRALIAN STANDARDS & SPECIFICATIONS

MODEL 8061S082-80

VOLTS 240	R.P.M. 1330	CLASS B130	Hz 50
WATTS 600	TYPE CSR	μF/V S NIL	Ph 1
AMPS 4.0	DUTY AOM	μF/V R 15/440	PROT. AUTO

**WARNING**

MOTOR FITTED WITH INTERNAL AUTO RESET OVERLOAD AND MAY RESTART WITHOUT WARNING

**SPECIAL REQUIREMENTS:**

- 1) CAPACITOR SUPPLIED LOOSE WITH MOTOR
- 2) PACK MOTORS IN SINGLE CARTONS

UNLESS OTHERWISE SPECIFIED : DIMENSIONS ARE IN MM. TOLERANCES

DECIMALS	ANGULAR
.X ± 1.0	± 30'
.XX ± 0.1	

THIS DRAWING REMAINS THE PROPERTY OF FASCO MOTORS AND MAY NOT BE USED, COPIED OR ISSUED WITHOUT WRITTEN PERMISSION FROM FASCO MOTORS

MOTOR WEIGHT	9.6 kg.	
DRAWN	Muntana	18/10/2018
CHECKED	Pipat	24/10/2018
RELEASED	Kanapote	26/10/2018
SCALE	N.T.S.	

**FASCO THAILAND**  
29/7-8 MOO 3, BANGKRUAY - SAINOI Rd., BANGKRANG, MUANG NONTABURI DISTRICT, NONTABURI 11000 THAILAND

FRAME	MOTOR	
STATUS	R	
SHEET	B026:8555V-600-GDD:FASCO	
A3	DWG. NO.	8061S082-80
	REVISION	T