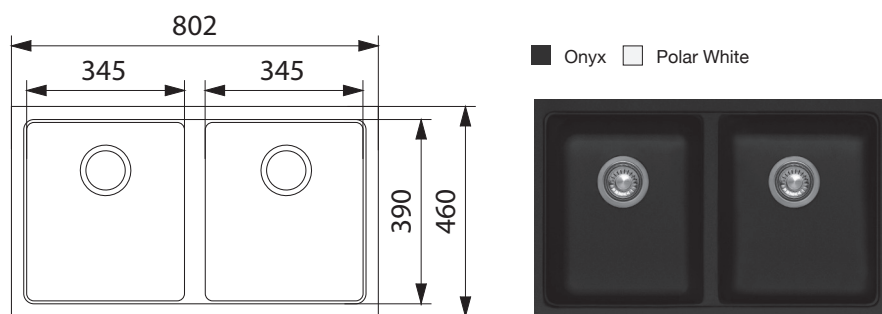


FRANKE

IMPACT GRANITE DOUBLE BOWL UNDERMOUNT SINK - IMG 120-35



FEATURES

Model	IMG 120-35
Bowl configuration	Double bowl
Bowl(s)	Granite with cr=15 corners and rear waste
Finish	Granite
Fixing	Fixing clips
Colours	Onyx or Polar white

SPECIFICATIONS

Recommended use	Domestic
Material	Granite
Formation	Moulded, 1 piece
Tap Holes	N/A
Dimensions	802 x 460 mm
Bowl Size	345 x 390 x 205 mm/26 L (x2)
Cut Out	Template
Cabinet Size	900 mm
Waste Outlet	90 mm
Features	Impact resistant, scratch resistant, stain & colour resistant and germ resistant
Accessories	Optional accessories: Franke Rollamat, extension drainer, drainer basket and chopping board
Models available	IMG 110-36 IMG 160 IMG 110-50

To see the complete FRANKE range go to www.reece.com.au/bathrooms

CLEANING RECOMMENDATIONS

We recommend the use of soapy water or approved cleaners.

This product should not be cleaned with abrasive materials.

Damage caused by any improper treatment is not covered by the product warranty - refer to Warranty Conditions.

Disclaimer: Products in this specification manual must by regulation be installed by licensed and registered trade people. The manufacturer/distributor reserves the right to vary specifications or delete models from their range without prior notification. Dimensions are nominal measurements only. Dimensions and set-outs listed are correct at time of publication however the manufacturer/distributor takes no responsibility for printing errors.

Tech Page Version 2

FRANKE

reece

FRANKE

IMPACT GRANITE DOUBLE BOWL UNDERMOUNT SINK - IMG 120-35

INSTALLATION INSTRUCTIONS

