

Laufen Ino Wall Basin with Shelf Left Hand Bowl with Fixing Bolts & Overflow No Taphole 900mm White

SPECIFICATIONS

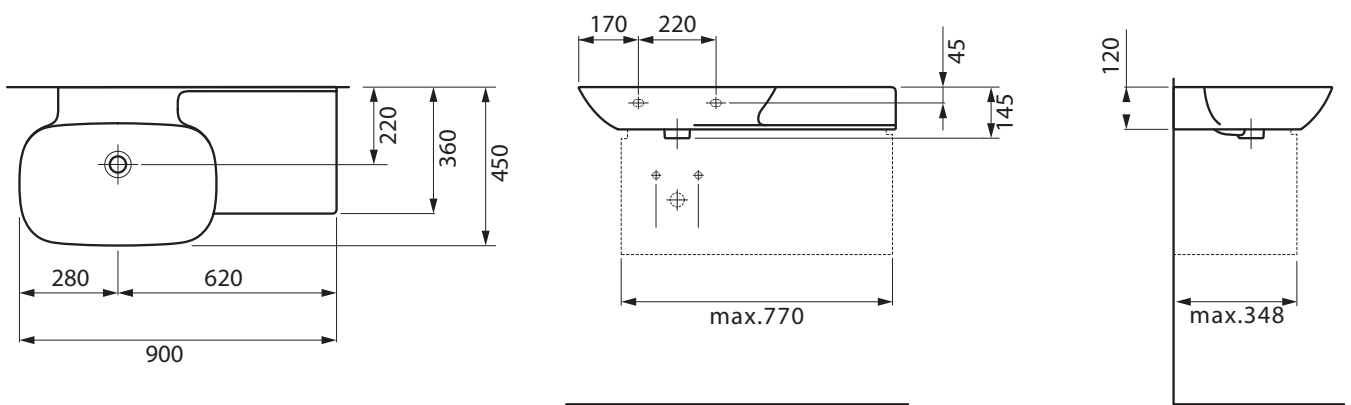
Recommended Use	Domestic, Hotel & Commercial
Material	Saphirkeramic
Colour	White
Bowl Capacity	5.6 Litres
Weight	14.5kg
Fixing	Fixing Bolts (included) Waterproof Flexible Sealant (not included)
Taphole Configuration	No Taphole
Overflow Configuration	Overflow
Waste Size	Suits 32x40mm Overflow Waste
Plug & Waste	Sold Separately
Tapware	Sold Separately



WARRANTY

Warranty - Domestic Use	15 Years
Spare Parts & Labour	12 Months

Please refer to Warranty Page for full Terms and Conditions



Dimensions are nominal measurements only.

Disclaimer: Products in this specification manual must by regulation be installed by licensed and registered trade people. The manufacturer/distributor reserves the right to vary specifications or delete models from their range without prior notification. Dimensions are nominal measurements only. Dimensions and set-outs listed are correct at time of publication however the manufacturer/distributor takes no responsibility for printing errors.

Published 20/12/2017

To see the complete Laufen range go to www.reece.com.au/bathrooms

