

# VILLA COUNTER TOP BASINS



Taking inspiration from exotic locations around the globe, Villa evokes a tranquil, refined sentiment. The beautiful organic palette and contemporary profiles add true luxury resort style to the bathroom.

## SPECIFICATIONS

<b>Recommended Use</b>	Domestic, Hotel and Commercial
<b>Material</b>	Solid Surface 25mm
<b>Colour Options</b>	White Haven and Cove Grey
<b>Basin Type</b>	Bench Mounted
<b>Weight</b>	Villa 430 - 12kg, Villa 550 - 13kg and Villa 600 - 19kg
<b>Capacity</b>	Villa 430 - 18lt, Villa 550 - 28lt and Villa 600 - 21lt
<b>Fixing</b>	Silicone Sealant
<b>Tap Hole Availability</b>	No
<b>Integrated Overflow</b>	No
<b>Plug &amp; Waste</b>	Supplied with 32-40mm Pop Up Waste with matching Solid Surface Plug
<b>Options</b>	Villa Bath also available



To see the complete OMVIVO range go to [www.reece.com.au/bathrooms](http://www.reece.com.au/bathrooms)

## CLEANING RECOMMENDATIONS

We recommend the use of soapy water or approved cleaners. This product should not be cleaned with abrasive materials. Damage caused by any improper treatment is not covered by the product warranty. Refer to Warranty Conditions. Please refer to detailed cleaning instructions on page 2.



## VILLA COUNTER TOP BASINS

### AVAILABLE FINISH OPTIONS



SOLID SURFACE WHITE HAVEN



SOLID SURFACE COVE GREY

NOTE: Villa solid surface products are made and finished by hand. The organic nature of the material ensures each piece will be slightly unique in colour tone and fleck, providing subtle individuality. Colours and fleck shown in swatches and images may vary to actual product. Variations in colour tone and particles are a feature of the product and are in no way considered faults.

---

### DETAILED CLEANING INSTRUCTIONS

Regular cleaning will assist to keep your solid surface looking fantastic and reduce wear and dirt build up. Spills should be cleaned promptly. Clean with a mild detergent or soapy water and a soft cloth, sponge or non scratch scourer\*.

For stubborn marks start with the non-scratch scourer and a mild detergent, if required use a diluted very mild abrasive cleaner\* cleaning in light circular motions.

Intense clean/repair: For extreme marks and light scratches a very light buff in circular motions using the finest grade sand/glass paper will restore the surface. A heavier grade of sandpaper will scratch the surface which can be removed by then using a light sand paper. Avoid applying excessive pressure or clean/rub the same area for a prolonged time unless repairing a scratch or damage.

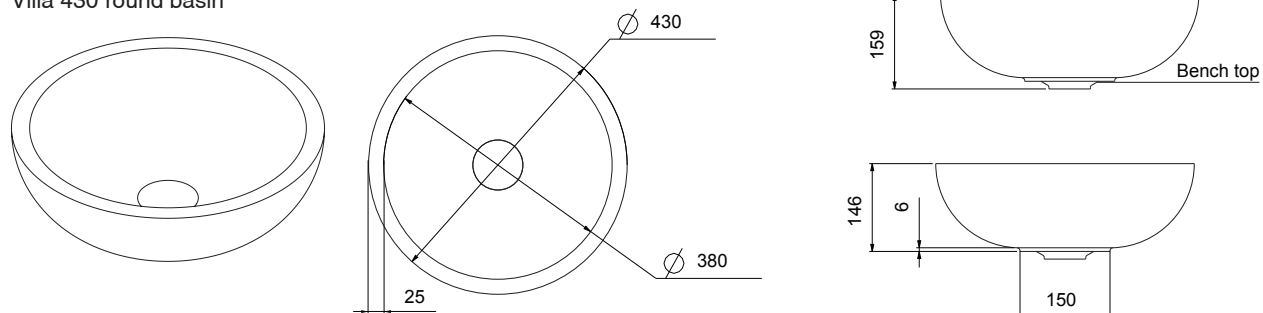
\*Always test 'non scratch' and 'mild abrasive' products in a non-conspicuous area first to ensure suitability as brands can differ.

Important notes: To maintain a uniform appearance, you may need to clean the entire surface. Never use sharp products such as steel wool or aggressive, commercial grade / strong cleaners or chemicals (e.g. acetone, trichloroethylene, acids, and caustic soda) as these may damage and scratch the surface. For best results always finish by wiping surface clean of all detergents and dry with a soft clean cloth.

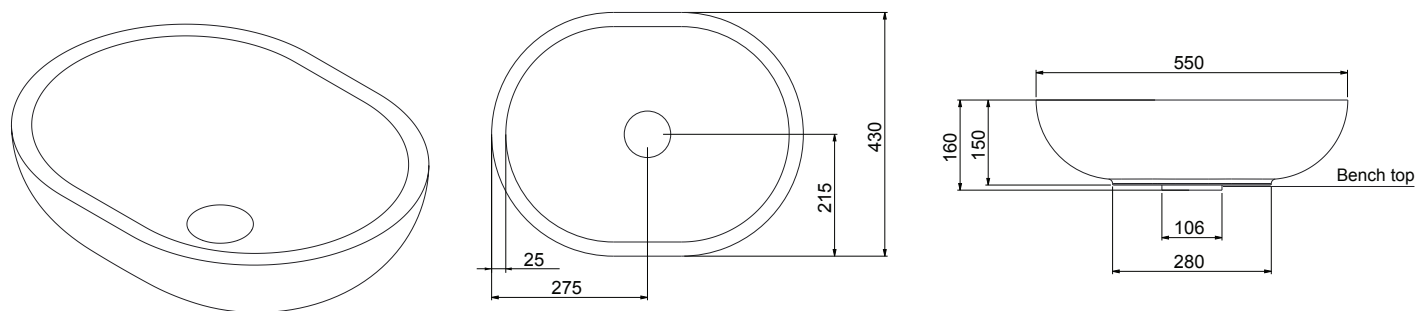
# VILLA COUNTER TOP BASINS

## LINE DRAWINGS

Villa 430 round basin



Villa 550 oval basin



Villa 600 basin with shelf

