

KADO

Kado Lux HiFlow Inline Exhaust System

Please read these instructions carefully before installing and using the product. Keep the instructions handy for future reference. Electrical wiring must only be done by a licensed electrician and a “Certificate of Compliance” must be issued on completion of the installation.

WHAT'S IN THE BOX

- Inline Exhaust Fan
- Intake Fascia
- Fascia Adaptor
- Outlet Grille
- 6m x Ø150mm Aluminium Ducting
- Operating and Installation Instructions
- Cutout Template
- 4 Cable Ties for Attaching Duct

SAFETY INSTRUCTIONS

During use of the product, it is necessary to observe some precautions. Improper operation with disregard of precautions may result in infliction of harm to health of the user and other people, as well as infliction of damage to their property.

- Use only the voltage specified on the rating plate of the fan.
- This item should only be installed by a licensed tradesperson.
- The fan should be connected to the electric mains equipped with an automatic circuit breaker.
- The unit must be handled with care avoiding any sudden impacts or vibrations.

WARNING: DO NOT CONNECT POWER SUPPLY UNTIL FAN IS COMPLETELY INSTALLED. MAKE SURE ELECTRICAL SERVICE TO THE FAN IS LOCKED IN AN OFF POSITION.

- Read all instructions before installing or using exhaust fan.
- If the fan is defective, it must be checked and repaired by the manufacturer, its service agent or similarly qualified persons for repair.
- Do not operate appliance with wet hands.
- Use this appliance only as described in this manual. Any other use is not recommended by the manufacturer and may cause fire, electric shock or injury.
- Do not use abrasive cleaning products on this appliance. If the body becomes dirty, wipe off dust with a cloth. Always remove plug from the mains supply before cleaning.
- Do not connect the appliance to the mains source until it has been installed in its final location and adjusted to the position it will be used in.
- Do not operate with the cord coiled up as this could cause a build-up of heat, which could pose a hazard.
- The use of an extension cord with this appliance is not recommended.
- This appliance is not intended for use by persons (including children) with reduced physical, sensory or mental capabilities, or lack of experience and knowledge, unless they have been given supervision or instruction concerning use of the appliance by a person responsible for their safety.
- Children should be supervised to ensure that they do not play with the appliance
- The appliance is only intended for the purpose described in user manual.
- Do not use appliance or any part of the appliance out of the intended use to avoid risk.
- The use of attachments which are not recommended or sold by the appliance manufacturer may cause a risk of injury.
- CAUTION – For general ventilation use only. Do not use to exhaust hazardous or explosive materials and vapours.

Plumbers, please ensure a copy of the installation instructions is left with the end user for future reference.

KADO

Kado Lux HiFlow Inline Exhaust System

- To protect against the risk of electrical shock, do not immerse the unit, cord or plug in water or other liquid.
- When cutting or drilling into wall or ceiling, do not damage electrical wiring and other hidden utilities.
- This unit has rotating parts and safety precautions should be exercised during installation, operation and maintenance.
- Guards must be installed when fan is within reach of personnel or within 2.3 metres of working level or when deemed advisable for safety.
- To prevent fire or shock hazard, DO NOT expose this appliance to rain or moisture.
- Dangerous high voltages are present inside the motor enclosure. To avoid electrical shock, DO NOT open the motor enclosure. Refer all servicing to qualified personnel only.
- To protect against fire, electrical shock and injury, do not immerse the unit, plug or cord in water or spray it with liquids.
- No naked flame sources, such as candles, should be placed on or near the product.
- Ventilation should not be impeded by covering the ventilation openings. Slots and openings are provided for ventilation to ensure reliable operation of the product and to protect it from overheating.
- Place the fan on a stable level surface when operating to avoid overturning.
- Only connect to a suitable AC 220-240V ~50Hz mains socket.
- Do not operate the fan in the presence of explosive and/or flammable fumes. Do not place the fan or any parts near an open flame, cooking or other heating appliance.
- Do not operate the fan with a damaged cord or plug, after a malfunction, or if it was dropped or damaged in any way.

LOCATION

- The unit must be installed in accordance with AS/NZS 3000 and local building codes relating to damp situations.
- Ensure adequate air intake into the room exists through windows, vents or under the door to replace the displaced air.
- Regulations concerning the discharge of air must be fulfilled.
- Ensure the fan is not placed near drapes, curtains, or any objects that may be drawn into the fan.

POWER

AC220-240V ~50Hz electrical supply is required. The unit can be connected to a lighting or power circuit if loading permits. All electrical work must be carried out in accordance with AS/NZS 3000 or latest edition thereof, and local building codes and regulations. Ensure the power supply is isolated before commencing installation. Electrical wiring must only be done by a licensed electrician and a "Certificate of Compliance" must be issued at completion of the installation.

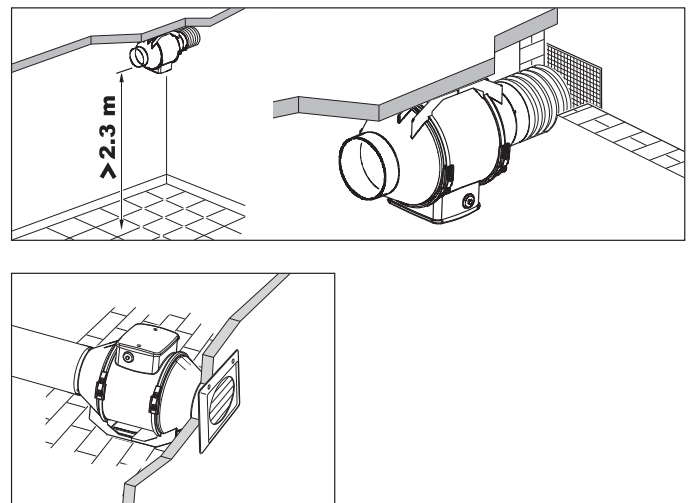
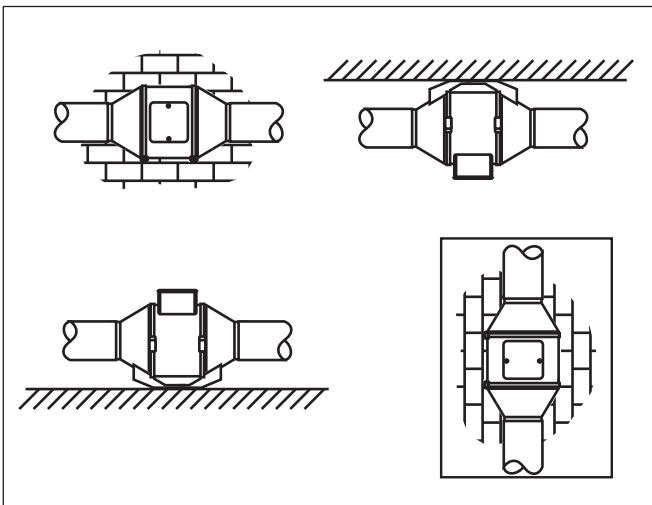
KADO

Kado Lux HiFlow Inline Exhaust System

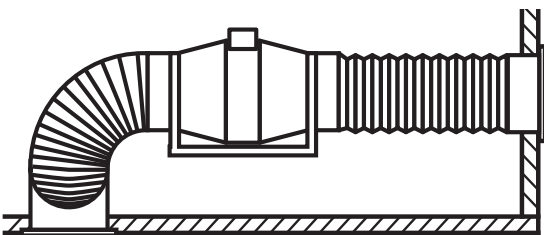
INSTALLING THE FAN

CAUTION: MAKE SURE POWER IS SWITCHED OFF AT THE SERVICE PANEL BEFORE STARTING INSTALLATION.

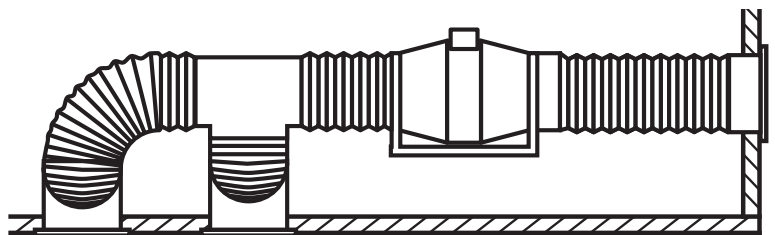
1. This exhaust fan is fitted with a supply cable and plug. There is no need to open the fan for wiring. The location of installation must be near a socket outlet. A licensed electrician will be required to install the socket outlet. For best performance, the location of the inlet and outlet should be within 6 metres of duct length.
2. Ensure the mounting location of the fan is in a position that:
 - a) is as far as possible from the intake point to minimise fan operating noise from being transmitted back through the duct work. If the fan is to be used as a booster for moving the air between two rooms, a central point along the duct may be optimal, and
 - b) allows for sufficient access for servicing.
3. This exhaust fan can be mounted in any orientation, horizontal or vertical, and is suitable for numerous types of applications. See below for illustrations for some typical applications and mounting possibilities:



Single-Point Intake:



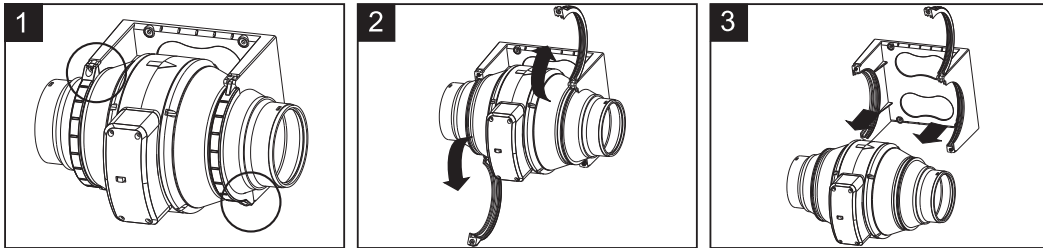
Multi-Point Intake:



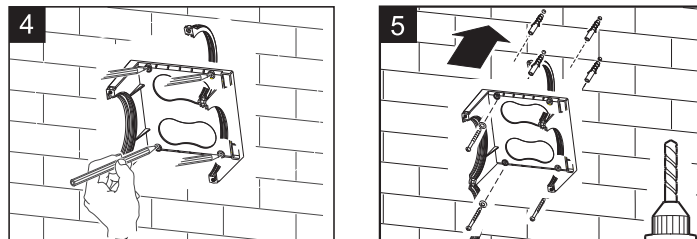
KADO

Kado Lux HiFlow Inline Exhaust System

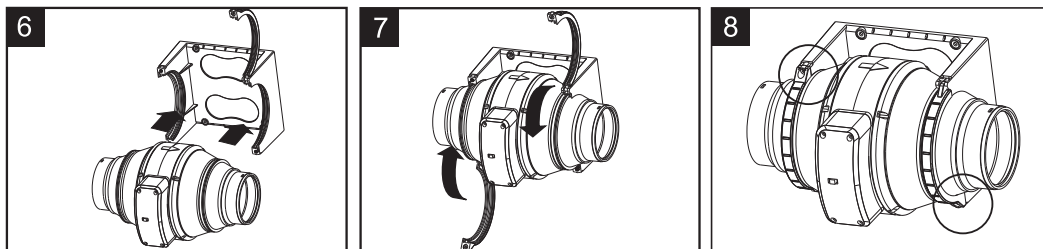
4. To start the installation, the motor wheel assembly must first be removed. Loosen the two spring clips around the casing and remove. (Diagrams 1-3 below)



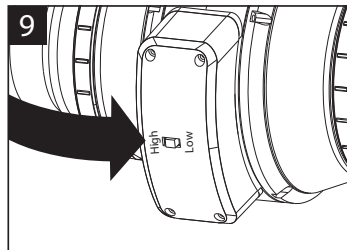
5. Secure the mounting bracket fan flange assembly to a fixed structure. (Diagrams 4-5 below)
NOTE: To maximise fan performance, install as near to air outlet point as possible.



6. Replace the fan motor wheel assembly and tighten the two spring clips to secure the product. Please pay attention to the Air Direction when replacing the motor wheel assembly. (Diagrams 6-8 below)



7. Select desired airflow rate by choosing 'High' (561m³H) or 'Low' (438m³H) on the speed switch located on the top of the control box of the fan motor.



KADO

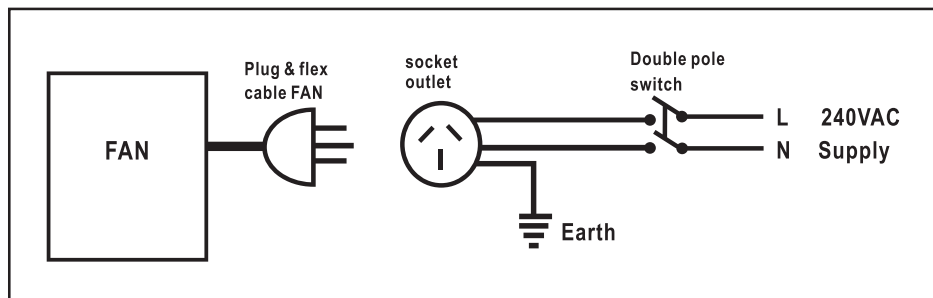
Kado Lux HiFlow Inline Exhaust System

ELECTRICAL CONNECTION

WARNING: All electrical work must be carried out by a licensed electrician. All electrical wiring must be in accordance with the latest national wiring rules AS/NZS 3000.

WARNING: Ensure the power supply to the exhaust fan is switched OFF before carrying out any installation and maintenance.

Note: A double switch must be included in the electrical wiring of the exhaust fan.



INSTALLING THE DUCT

1. Cut the required two duct lengths: from the inlet vent to the fan and from the fan to the outlet vent.
2. Secure the duct to inlet side of fan motor with cable ties provided. Attach other end of this duct to outlet on fascia adaptor.
3. Repeat step 2 for the fan outlet to the vent outlet.

It is recommended the duct be used in a fully extended position and with minimal amount of bends or turn. This will reduce any unnecessary friction pressure resulting in reduction of airflow.

INSTALLING THE OUTLET VENTS

1. Locate a suitable location for the inlet and outlet vents. For best performance, duct length between inlet and outlet must not be more than six metres.
2. Cut a 150mm diameter hole into the vents mounting surface. Ensure the area behind cut-out section is clear of electrical wiring, joists, and structural beams.
3. Remove the grille cover and then insert the vent into the cut out and secure with screws. It is suggested that the duct be secured prior to fixing the vent into position.
4. Click vent louvres back into position, making sure louvres are facing downwards.

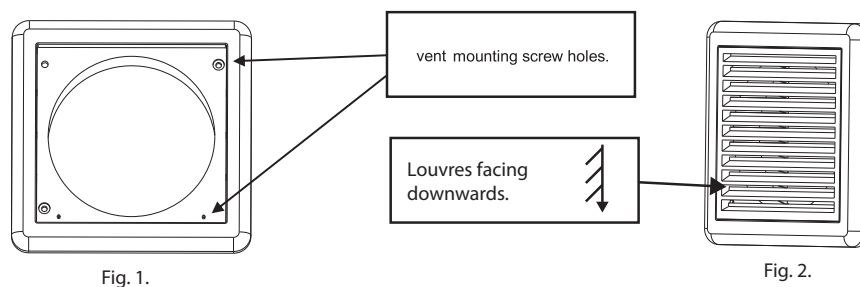


Fig. 1.

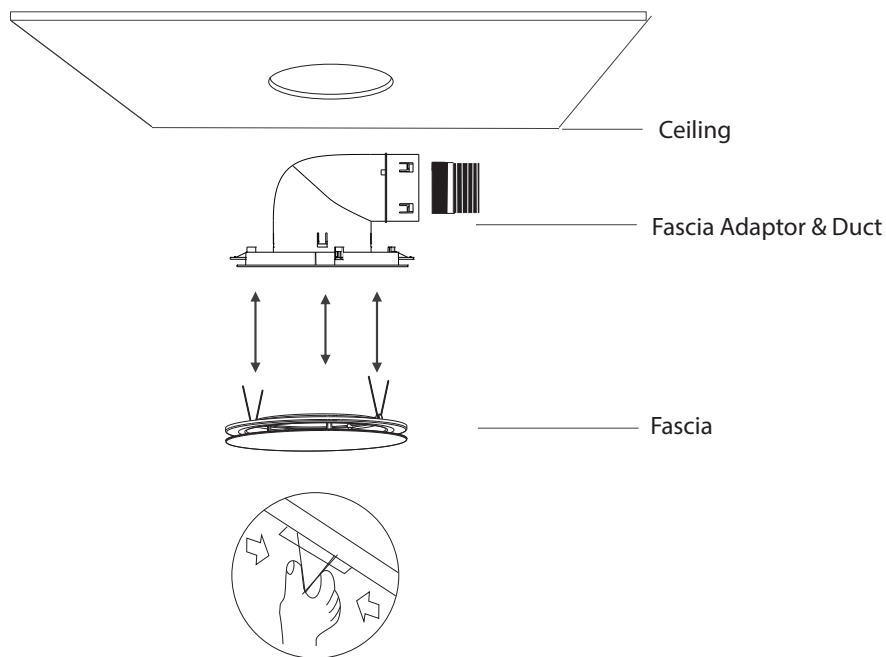
Fig. 2.

KADO

Kado Lux HiFlow Inline Exhaust System

INSTALLING THE FLUSH MOUNT FASCIA KIT

1. Locate suitable location for the fascia adaptor. Use template card provided for making the cut-out hole.
2. Cut the round hole 238mm in diameter.
3. Connect ducting to the fascia adaptor and insert unit into cut-out hole. Tighten plaster clips to secure to plaster.
4. Pinch locating springs on rear of the fascia and push upwards into fascia adaptor.



Note: To remove fascia, pull downwards on fascia plate then reach in behind to disengage the spring fixing wires.

CLEANING AND MAINTENANCE

Before carrying out any maintenance, ensure the power is switched OFF from the mains power supply.

1. Wipe down the fascia and grilles with a wet soapy cloth only. Fascia may be removed for cleaning but do not immerse fascia in water. Never use petrol, benzene, thinner or any other such chemicals for cleaning.
2. Do not immerse resin parts into hot water over 60°C.