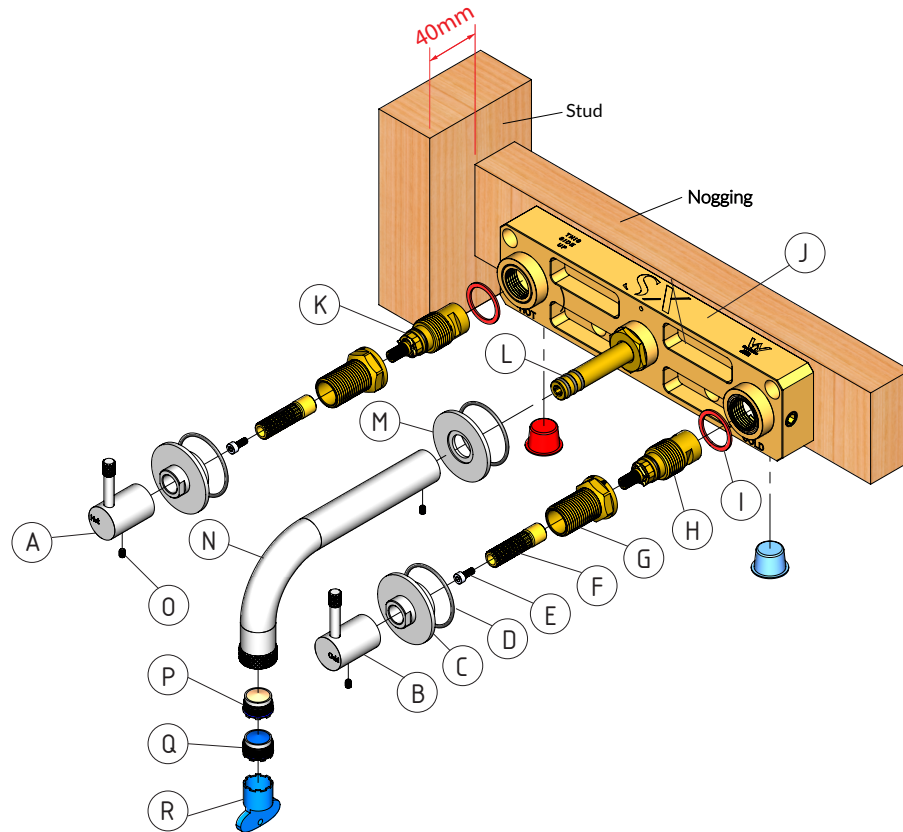


Scala Nova Wall Basin Bath Set

SUSSEX



Product codes:

SNWBBS150.01
SNWBBS200.01

Product parts:

- (A) Hot Handle
- (B) Cold Handle
- (C) Handle Dress Ring
- (D) Dress Ring O-Ring
- (E) Spindle Extension Screw
- (F) Spindle Extension
- (G) Spindle Lock Nut
- (H) Cold Spindle
- (I) Fibre Washer
- (J) In-Wall Body
- (K) Hot Spindle
- (L) Outlet Adaptor
- (M) Outlet Dress Ring
- (N) Outlet
- (O) Set Screw
- (P) Basin Aerator (Orange)
- (Q) Bath Aerator (Blue)
- (R) Aerator Key

Plumbers note:

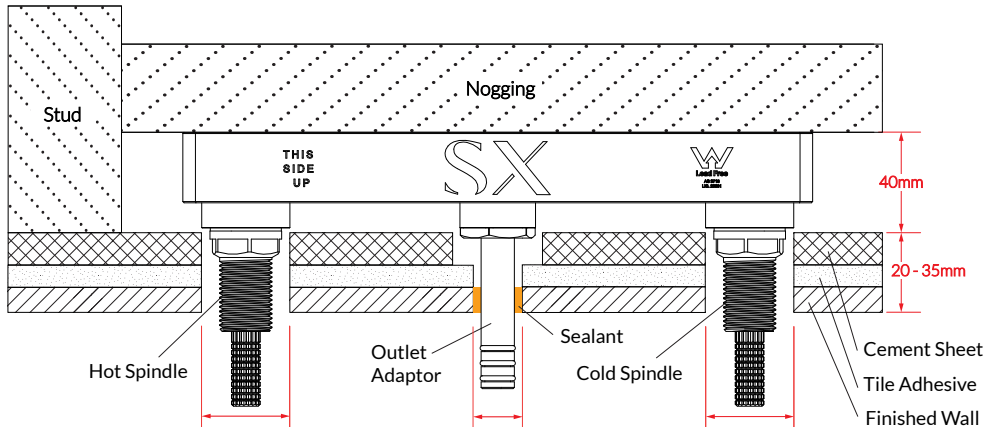
- Product is to be installed by a Licensed Plumber in accordance with AS/NZS 3500:2021
- Recommended working water pressure 300 - 500 Kpa. Maximum water temperature is 65°C
- After installation, ensure that product functions correctly without leaks.
- Please ensure a copy of the Installation Instructions are left with the end user for future reference.



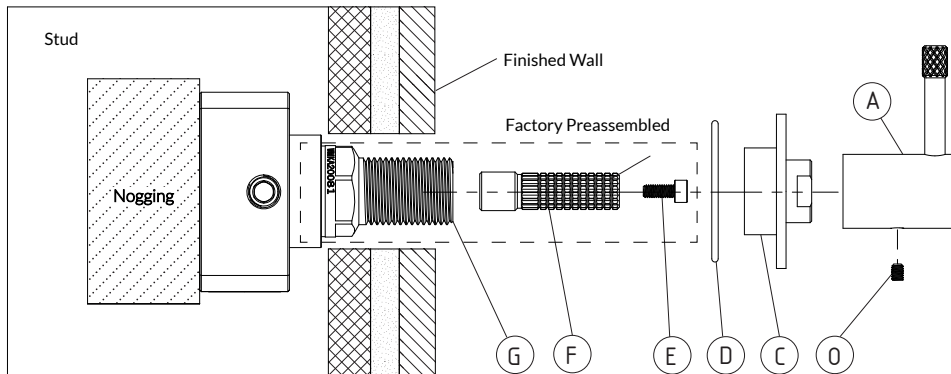
While we aim to ensure the specifications shown are correct at time of printing, Sussex Taps reserves the right to make modifications without prior notice. Always use the physical product for accurate measurements. Dimensions are subject to change without notice. All measurements are shown in millimetres. This product complies with lead free requirements.

Rough-in

1. Default Nogging set back should be **40mm**. Maximum Wall covering thickness should be between **20mm to 35mm**. Contact manufacturer if wall covering thickness is greater than 35mm.
2. Secure the In-Wall Body (J) to the Nogging using the screws provided. Ensure the In-Wall Body (J) is level by checking with a spirit level.
3. Flush all water feed lines. All lines must be free from any dirt and debris before connecting to the In-Wall Body (J). Once all water connections are made, check Hot/Cold water flow. Leave the spindles in the closed position.
4. Store remaining parts in a safe place until wall coverings have been completed and final fit-off is required.

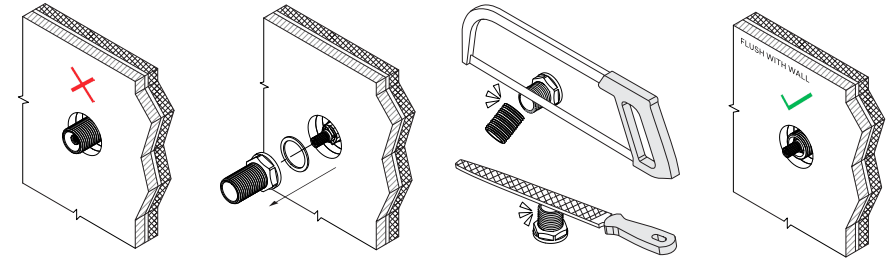


Handle Fit Off

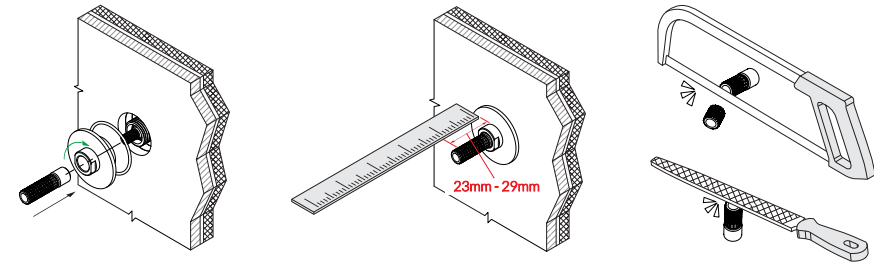


Handle Fit Off

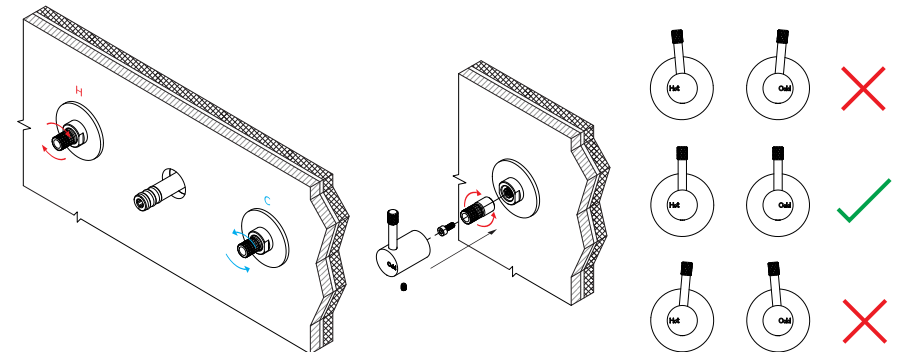
1. Disassemble Spindle Extension (F) and Screw (E).
2. The Spindle Lock Nut (G) needs to be flush or just below the finished wall. Unscrew, trim and deburr if necessary.



3. Fit the Handle Dress Ring (C) and O-Ring (D) onto the Spindle Lock Nut (G) until it reaches the Wall covering. Apply a small amount of sealant on the back of the Handle Dress Ring (C) if the wall is uneven.
4. Loosely fit the Spindle Extension (F) onto the Spindle (H or K), check if the distance between the end of Spindle Extension (F) and Handle Dress Ring (C) is between 23mm and 29mm. Trim then deburr if necessary.



5. Turn Spindles (H & K) to OFF position: HOT = FULL TURN CLOCKWISE and COLD = FULL TURN ANTICLOCKWISE.
6. Test fit Hot and Cold Handles (A & B), adjust straightness of the handle by rotating Spindle Extension (F) and tighten Spindle Extension Screw (E) and Handle Set Screw (O) once satisfied with the handle position.



Outlet Fit off

1. Apply sealant and seal the Wall around the Outlet Adaptor (M) to ensure the installation is water-tight.
2. Loosely fit the Dress Ring (E) with O-ring (N) onto the Outlet Adaptor (M).
3. Apply a small amount of grease to the O-rings of the Outlet Adaptor (M).
4. Push on the Outlet (P) onto Outlet Adaptor (M) until it reaches the wall.
5. Align the spout downwards. Tighten Set screw (Q) using the 2.5mm Allen Key provided. (Tighten well)
6. Basin Aerator (R) is factory preinstalled. Switch to Bath Aerator (S) using Aerator Key (T) for install as a Bath Outlet.
7. To complete the installation, operate the Mixer(s) checking the flow of both hot and cold water from Outlet. Check all fittings and fixtures for water leaks.

