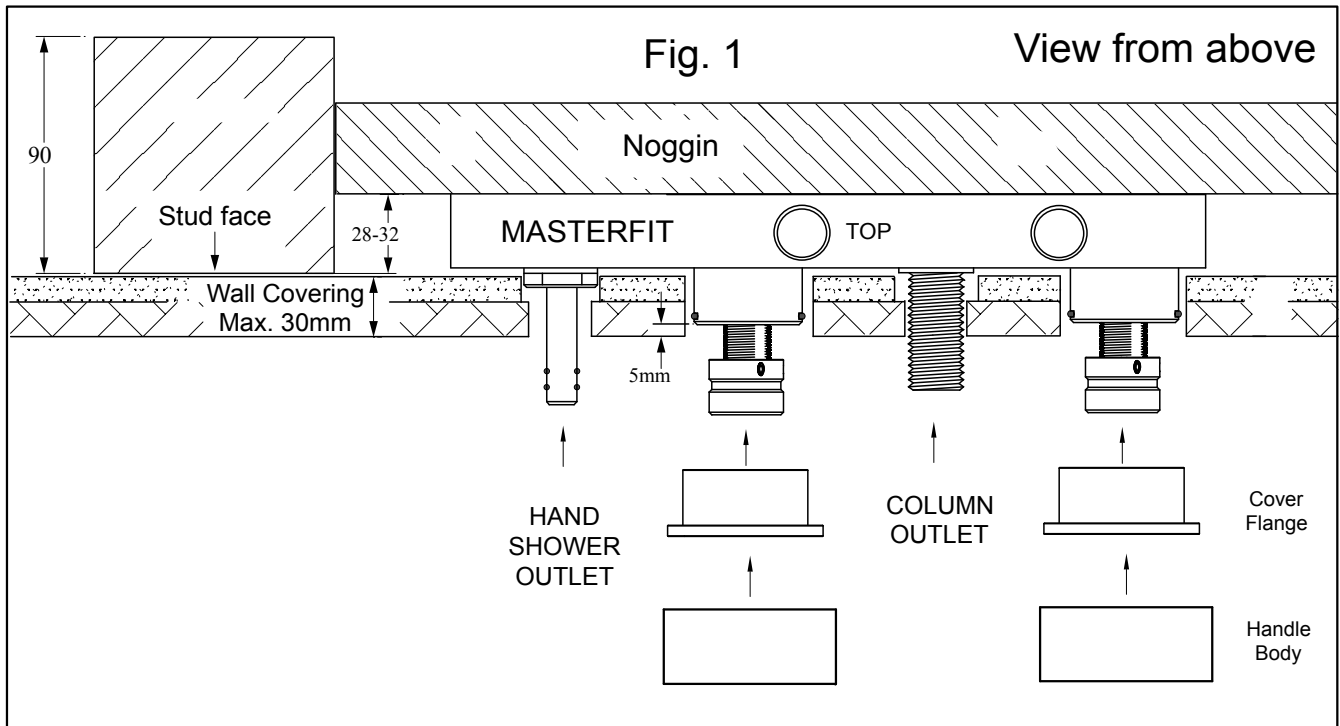


# Installation Guide

## Progressive Column Mixer System RH ROUGH IN

Tapware is to be installed by a Licensed Plumber  
in accordance with AS/NZS 3500:2003

Recommended working water pressure 300 - 500 Kpa.  
Maximum water temperature is 65 deg.C.



## ROUGH IN PLUMBING

Prior to installing, calculate the finished wall thickness to ensure enough adjustment is available when fitting the Handle.

The Masterfit is supplied with a plastic cover to protect the Mixer during Plastering and Tiling.

The Hot/Cold Ports are marked on the shoulder of the Masterfit body to indicate the correct connection.

Note: Do not cross Hot/Cold connects from Mixer 1 to Mixer 2 (See Pipe Connections)

Set a Nogging between 28 - 32mm back from the face of the wall stud. (see Fig.1).

Using the screws provided, fix the Mixer to the Nogging.

Ensure the Masterfit is aligned square and well secured.

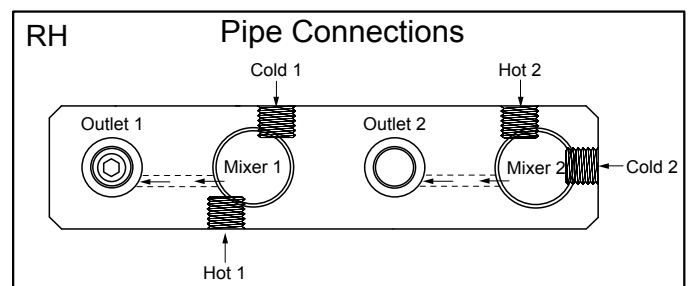
Flush all water feed lines. Pipes and fittings must be free from any dirt and debris before connecting to the Mixer.

Once all water fittings are connected, check Hot/Cold water flow by operating the Mixer.

Check for any water leaks.

Once all checks have been made, leave the Mixers in the closed position and replace the protective cover.

Store remaining parts in a safe place until wall coverings have been completed and final fit-off is required (see Dress finishing).



## Plumber please note:

On-site high pressure line testing must be conducted with the Mixer in the closed position. (STATIC TEST ONLY)

Under no circumstances is the Mixer to be opened when exceeding the maximum stated water pressure.

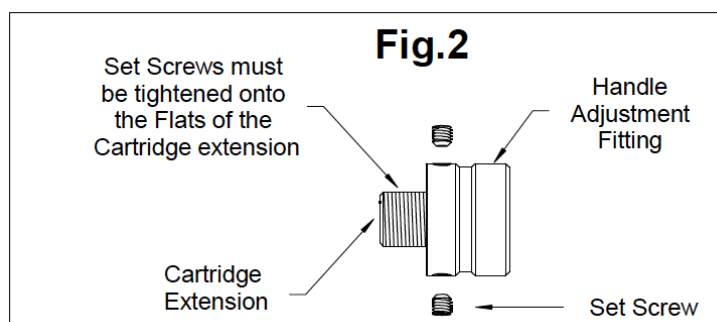
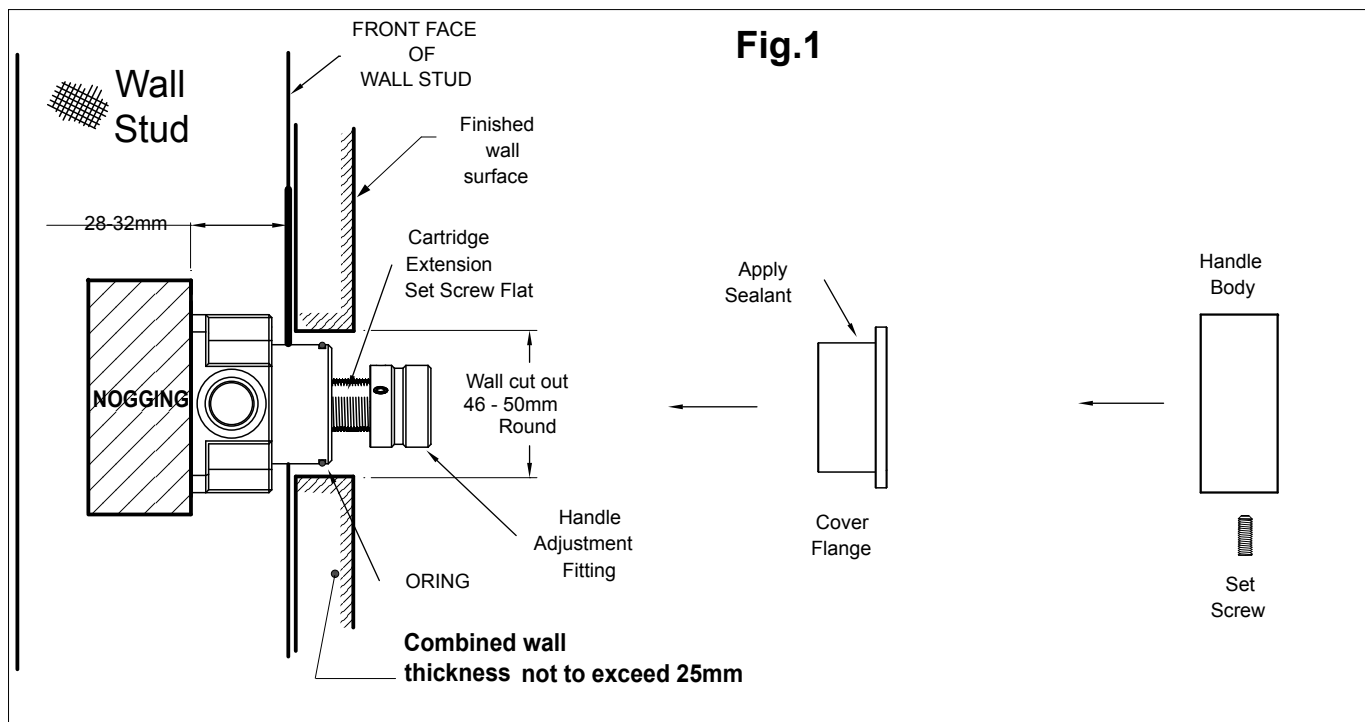
At the completion of the testing, do not relieve any high pressure by opening the Mixer.

Exposing the internals of the Mixer Cartridge to higher than specified water pressures, will void the manufacturer's warranty.

# Installation Guide

## Progressive Column Shower Mixer System

### DRESS KIT



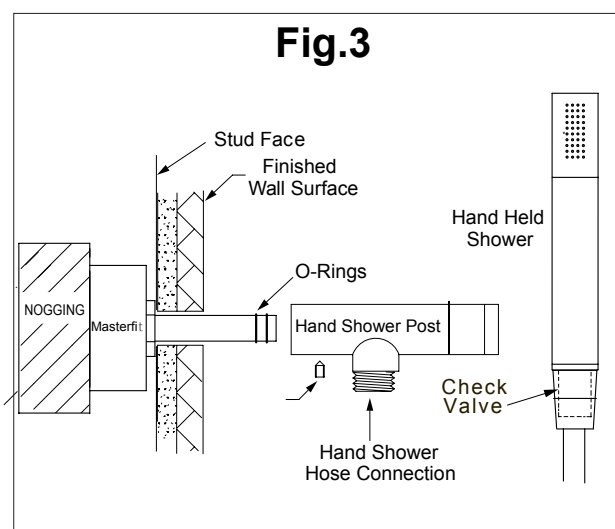
## DRESS FINISHING AND HANDLE ADJUSTMENT

Prior to fit off ensure the correct size cut out around the Mixers (between 46-50mm) has been achieved (see Fig.1). To waterproof the installation, apply sealant to the Cover Flanges and fit to the Mixer until the shoulder meets the wall.

Fit the Handles onto the Adjustment Fitting. If adjustment is required, remove the Handles and loosen the Set Screws of the Adjustment Fitting. Wind the Adjustment Fitting to reduce or increase the gap between the Wall and the Handle (see Fig.2).

Once the gap from the Wall to the Handle is between 2-3mm, remove the Handle and tighten the Set Screws of the Adjustment Fitting. When securing the Adjustment Fitting, ensure the Set Screws are tightened onto the flats of the Cartridge Extension (see Fig.2). Fit the Handle so the Set Screw is positioned at the bottom (tighten well). Note: the Set screw must engage in the groove of the Adjustment Fitting.

**+ Refer to Fig. 4 for Column Shower fit off.**



## HAND SHOWER FIT OFF

Apply a small amount of grease to the O-rings of the fitting.  
 Carefully fit the Hand Shower Post.  
 Secure the Hand Shower Post by tightening the Set Screw.  
 Connect the Hand Shower Hose to Post.  
 To complete installation, operate the Mixer(s) checking the flow of both hot and cold water from the Outlet. Check all fittings and fixtures for water leaks.

# Installation Guide

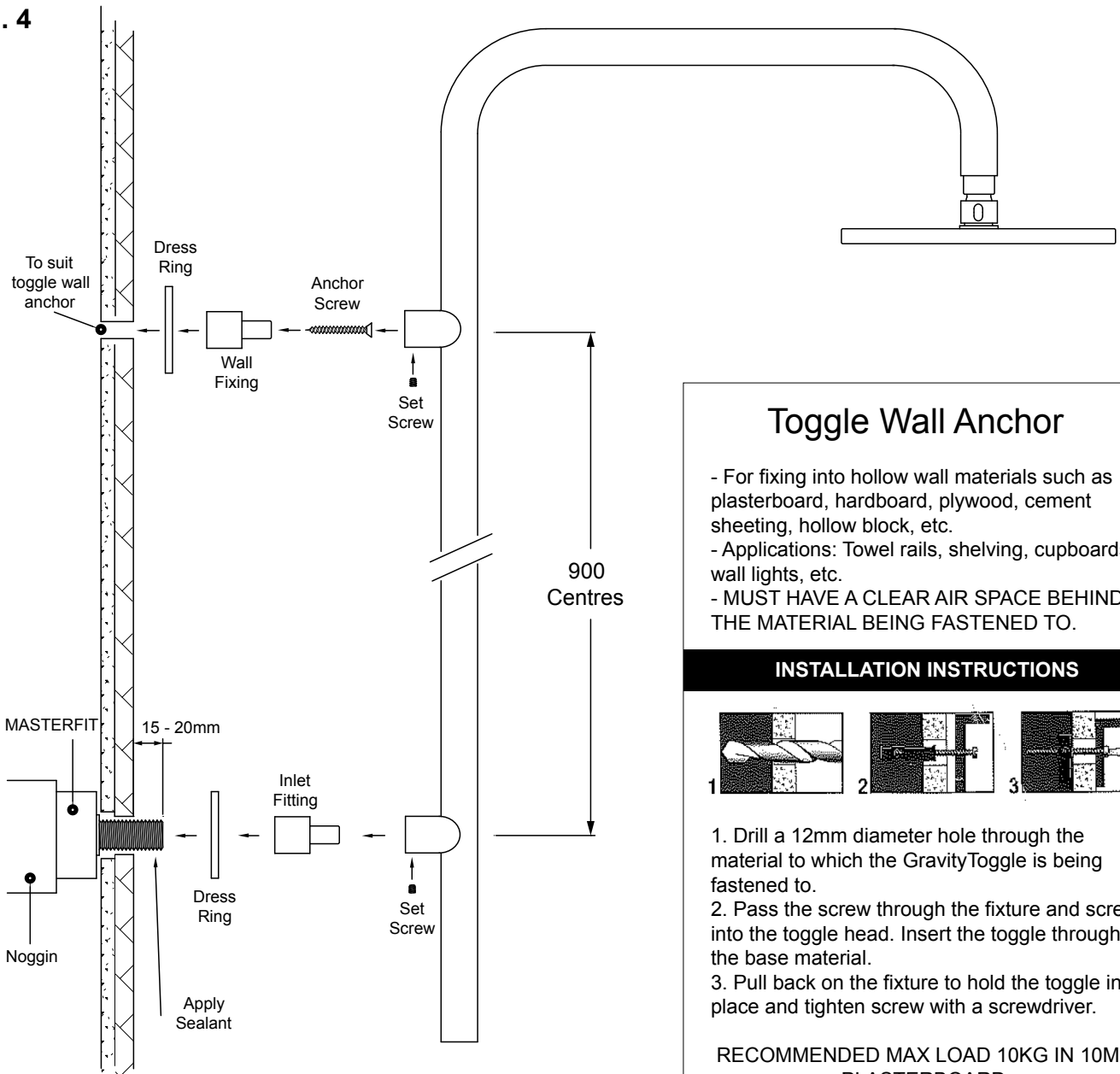
## Progressive Column Shower Mixer System

### DRESS KIT

Tapware is to be installed by a Licensed Plumber in accordance with AS/NZS 3500:2003

Recommended working water pressure 300 - 500 Kpa.  
Maximum water temperature is 65 deg.C.

Fig. 4



### FIT OFF

Prior to fit off ensure all parts are accounted for.

Use the drilling template provided to accurately mark and drill the position for the wall fixing.

Ensure the column shower will suit the mounting location prior to drilling any fixing holes.

Use the supplied toggle wall anchor to secure the wall fixing.

Once the fixing position has been drilled, combine the toggle anchor with the wall fixing and dress ring and fit to the wall (tighten well). Some adjustments may be required.

Apply sealant to the 1/2" BSP thread protruding from the wall. NOTE: 15-20mm of thread needs to extend from the finished wall (cut if necessary).

Place the dress ring over the 1/2" BSP thread and fit the inlet fitting. Tighten well with an allen key.

Fit the shower head to the column before wall mounting.

Align the column shower posts with the wall fixings and gently attach to prevent O-Rings from damaging. Tighten set screws to secure the column shower to the wall.

Test water flow and check for any leaks.