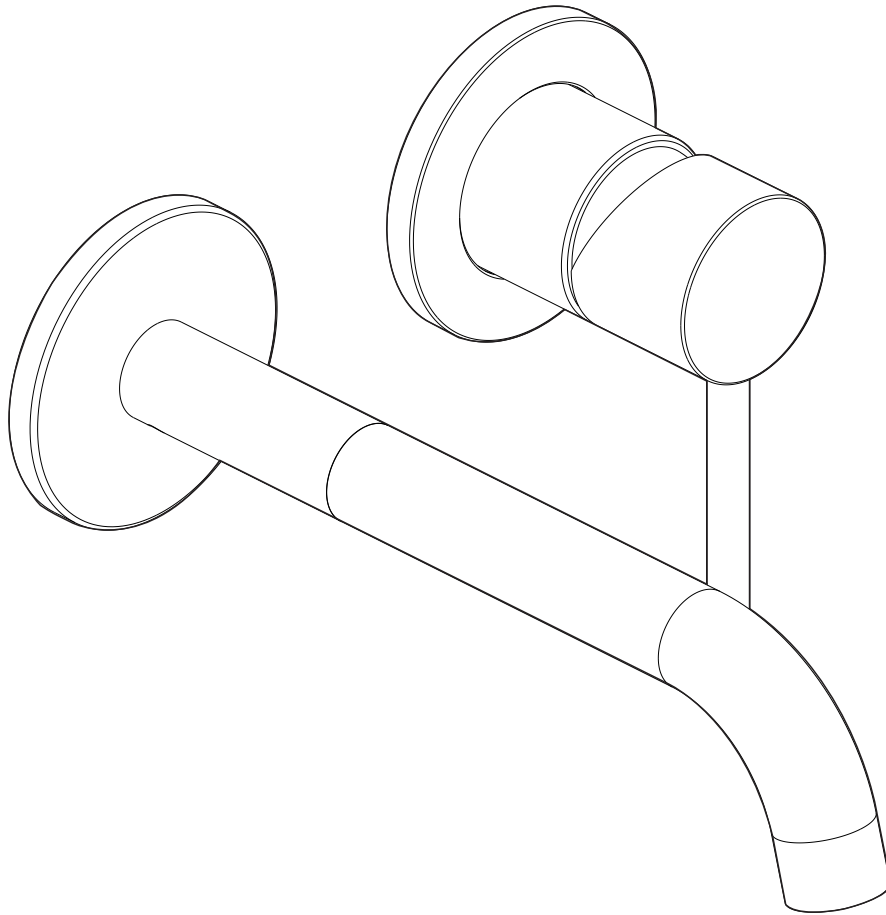
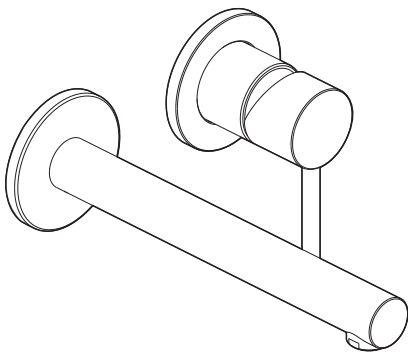


mizu

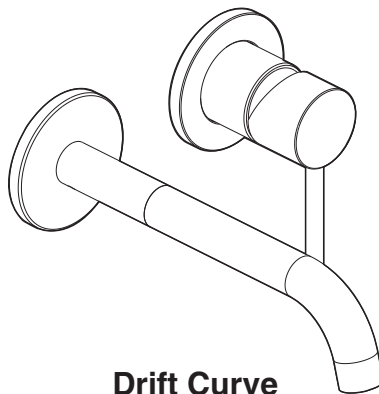
Wall Mixer Universal Inwall Body 2-Piece Trim Sets only



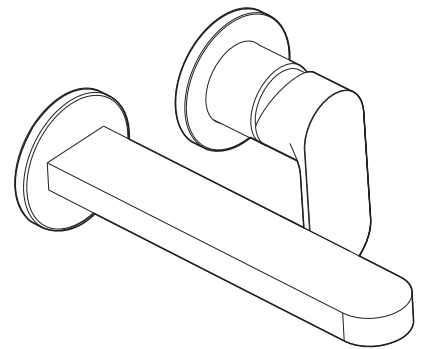
Trim Sets



Drift Straight



Drift Curve



Soothe MK2


Installation Instructions

Important




Mixer must be installed to the requirements of AS/NZS 3500 by a qualified plumber. The mixers are factory tested and sealed so as to give the best performance.

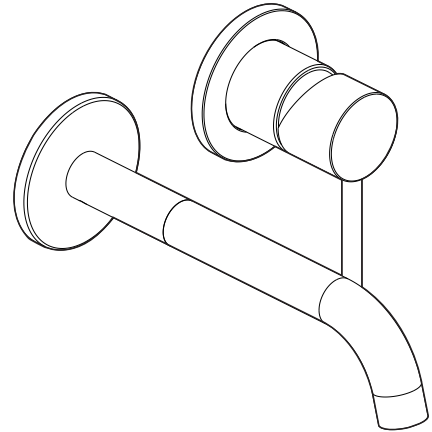
Installation


Important  Flush out new pipe work prior to connecting the new mixer.

Important  During installation, protect the exposed surface finish by using the plastic covers provided.

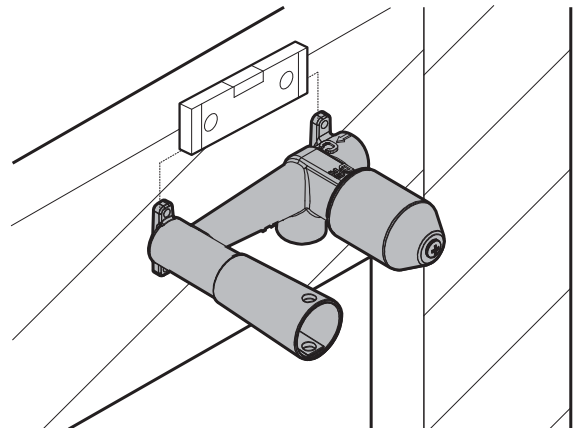
Important  Waterproofing and sealant materials are used to seal against moisture or water penetration to ensure integrity of the wall sheet lining structure. It must not interfere with the removal of the protective cover and installation of the mixer trim components. The installing plumber is responsible for waterproofing the shower mixer penetration AS 3740 - Waterproofing of Domestic Wet Areas.


Note: This tap is suitable for applications where both hot and cold water supply pressures are at 150kPa - 500kPa.

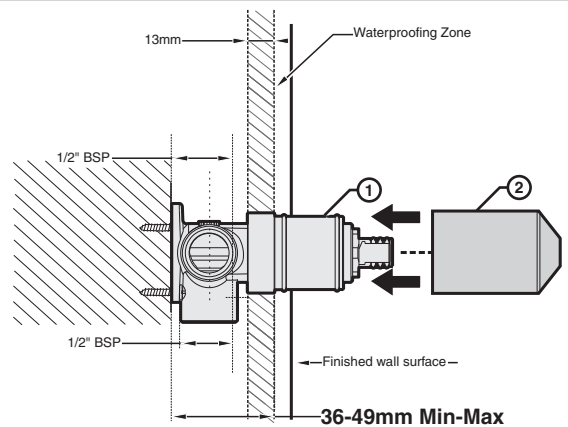


Important  In a typical installation, the mixer is mounted on a timber/metal noggin and secured using suitable screws through the mounting lugs.

Note: Ensure mixer body is level both vertically and horizontally.



Important  Waterproofing / sealant materials must be clear of the Protective Cover (2) and the surface it protects (1) to allow for removal of the protective cover and mixer trim set for fit off.

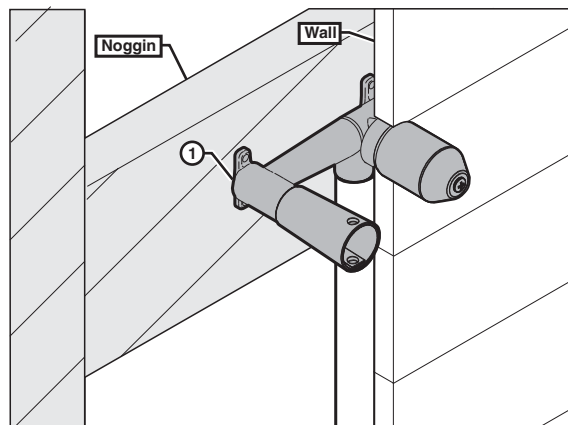
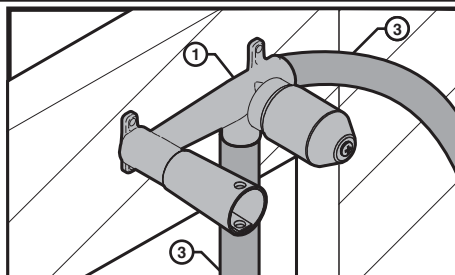


mizu

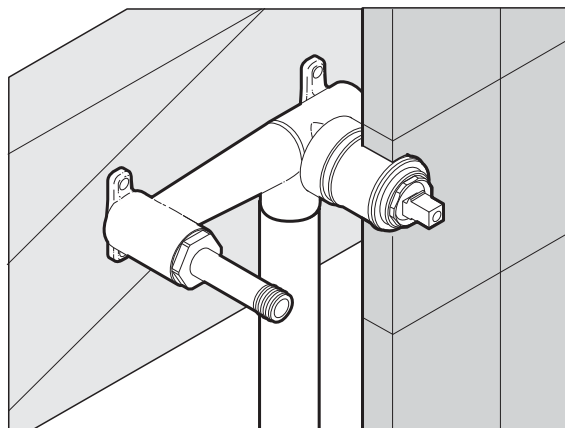
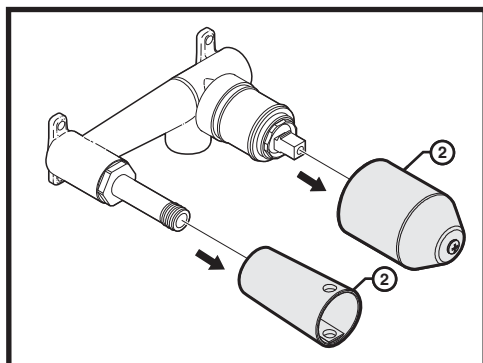
1. Connect Mixer (1) to hot and cold Water Supply (3).
2. Connect shower pipework to the top outlet.
3. Pressure test all connections in accordance to AS/NZS 3500.



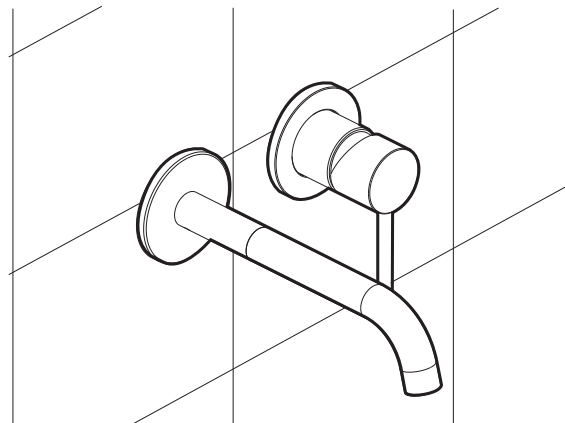
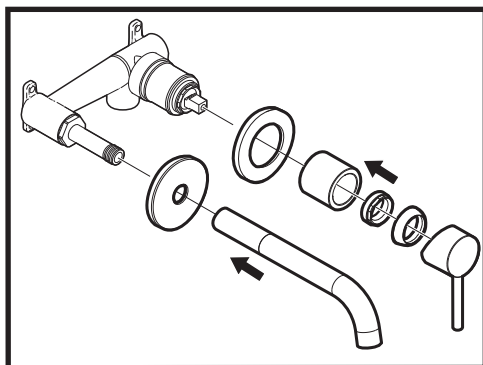
Leaking joints are not covered by the warranty.



1. When the wall is finished (eg. tiled), remove the protective covers (2).



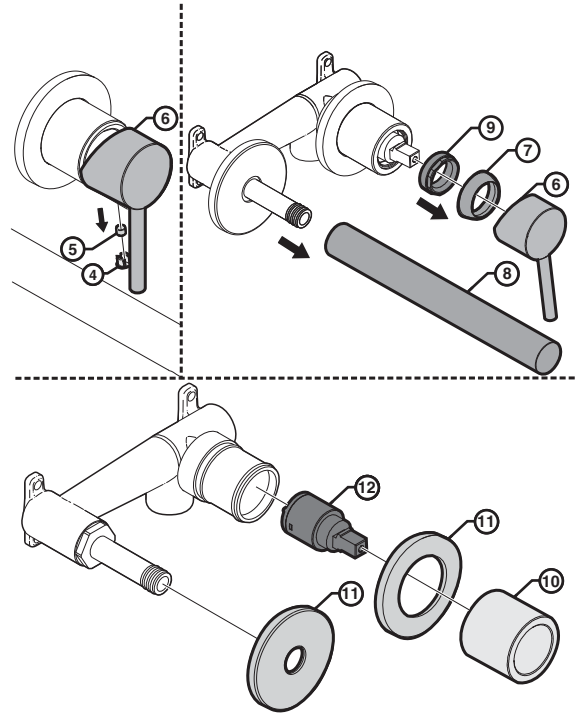
2. Fit the Basin or Bath Mixer Trim Set to finished wall.



mizu

Servicing - Replacement of Cartridge

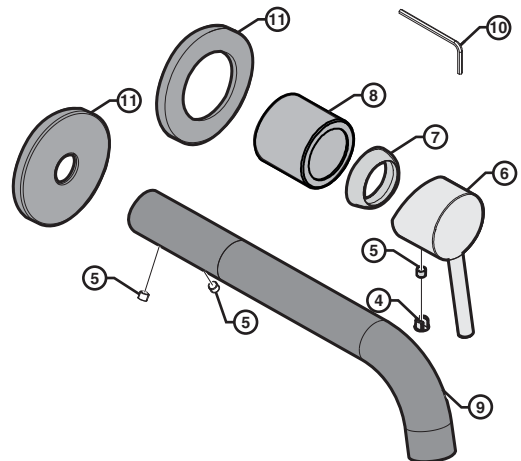
1. Remove Decorative Cover (4) and unscrew the Grub Screw (5) using an allen key.
2. Lift off the Handle (6) and remove the Cartridge Dome (7), Outlet (8) and unscrew the Brass Locking Nut (9).
3. Remove Cartridge Sleeve (10) and Back Plate (11).
4. Lift out the Cartridge (12).
5. Re-fit the Cartridge (12), Cartridge Sleeve (10), Back Plate (11), Locking Nut (9), Cartridge Dome (7), Outlet (8) and Handle (6).
6. Tighten Grub Screw (5) and push in Decorative Cover (4).



Replacement of Trim Set

The Mizu Universal Inwall Body is an innovative installation system that allows for separation of the inwall body from the trim set kit. Once the Universal Inwall Body is installed, the retrofittable trim set kit can be updated to another choice of finish from the Mizu range.

1. Remove Decorative Cover (4) and unscrew the Grub Screw (5) using Allen Key (10).
2. Lift off the Mixer Handle (6) and Outlet (9).
3. Remove Cartridge Dome (7) and Cartridge Sleeve (8).
4. Remove the existing one piece cover plate.
5. Fit off 2 piece cover plates (11) and re-assemble and fit off balance of trim kit.



Care Details

We recommend the use of soapy water or approved cleaners. This product should not be cleaned with abrasive materials. Damage caused by any improper treatment is not covered by the product warranty. Refer to Warranty Conditions

Plumbers, please ensure a copy of the installation instruction is left with the end user for future reference.

