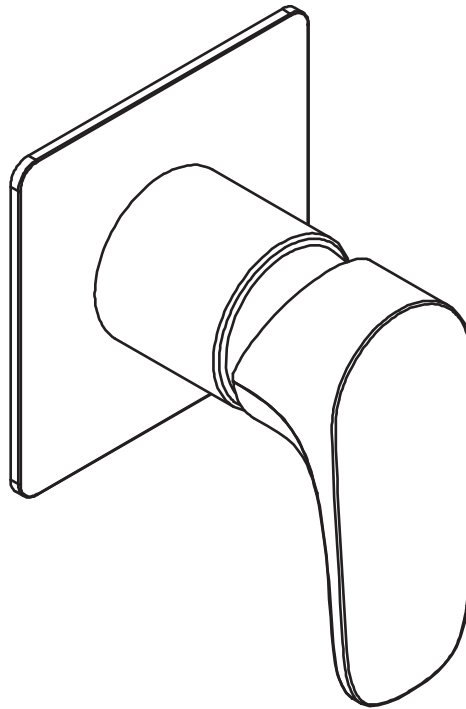
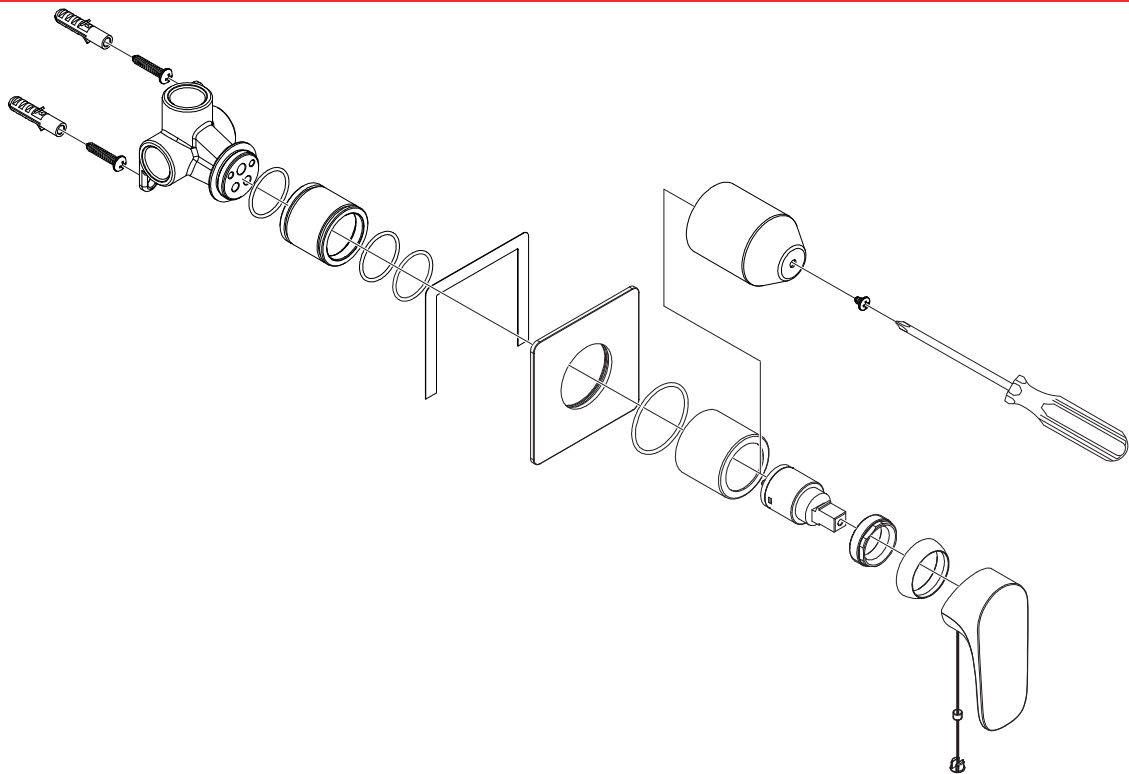


mizu

Mizu Silk Shower Mixer



Diagram




Installation Instructions




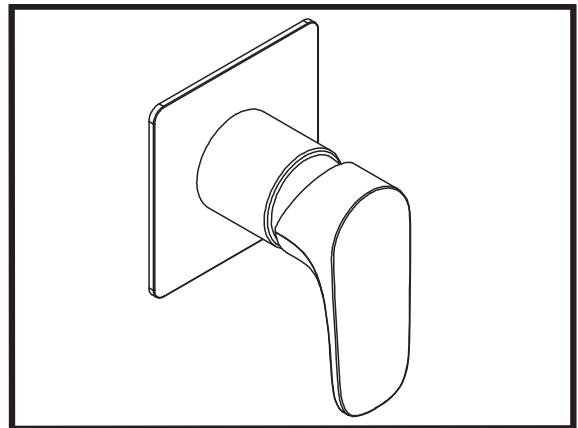
Mixer must be installed to the requirements of AS/NZS 3500 by a qualified plumber. The mixers are factory tested and sealed so as to give the best performance.

Installation


Important
 Flush out new pipe work prior to connecting the new mixer.

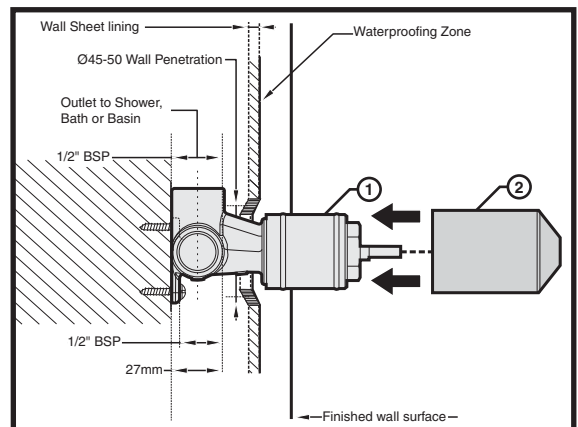
Important
 During installation protect the exposed finish surface by using the plastic protective cover provided. Please pay attention to the minimum/maximum depth.

Important
 Waterproofing and sealant materials are used to seal against moisture or water penetration to ensure integrity of the wall sheet lining structure. It must not interfere with the removal of the protective cover and installation of the mixer trim components. The installing plumber is responsible for waterproofing the shower mixer penetration AS 3740 - Waterproofing of Domestic Wet Areas.



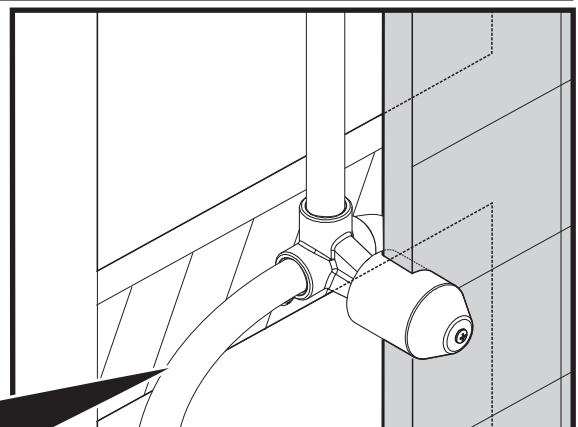
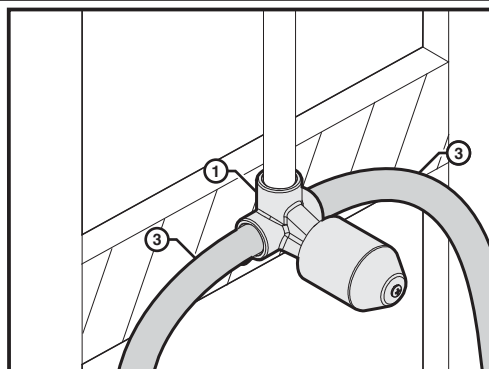
Note: This tap is suitable for applications where both hot and cold water supply pressures are at 150kPa - 500kPa.

Important
 Waterproofing / sealant materials must be clear of the Protective Cover (2) and the surface it protects (1) to allow for removal of the protective cover and mixer trim set for fit off.

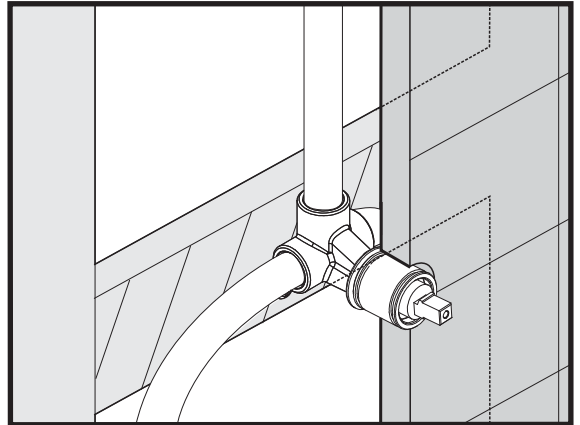
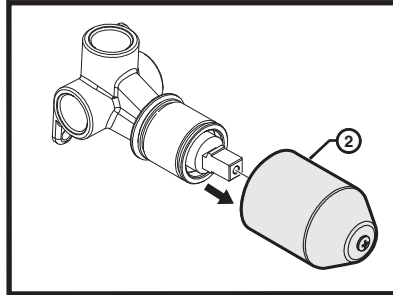


1. Connect Mixer (1) to hot and cold Water Supply (3).
2. Connect shower pipework to the top outlet.
3. Pressure check all connections.

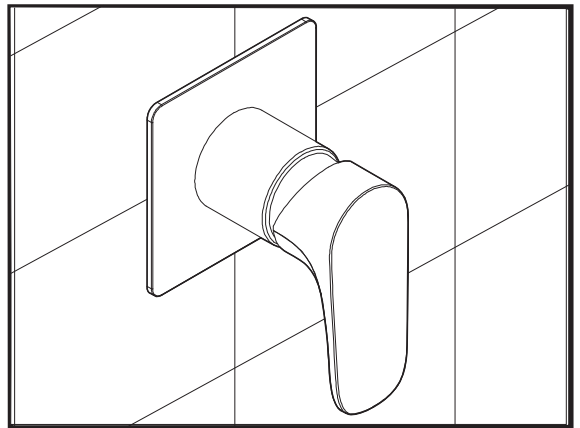
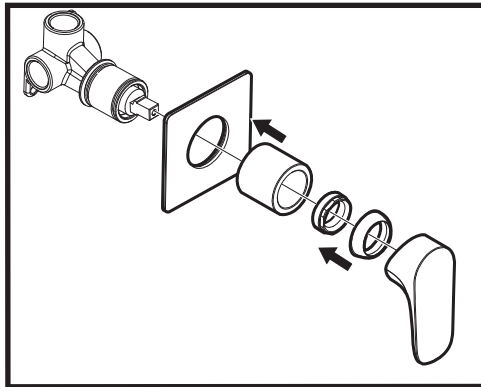
Important
 Leaking joints are not covered by the warranty.



1. When the wall is finished (eg. tiled), remove the protective covers (2).

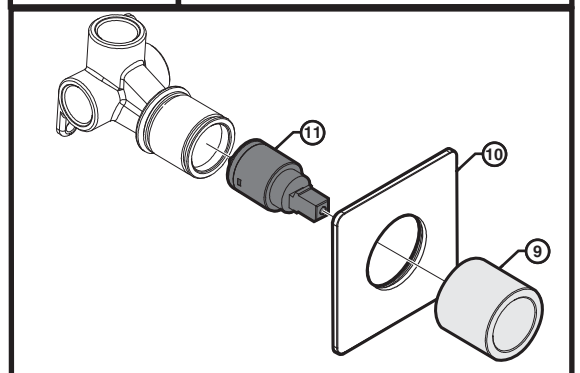
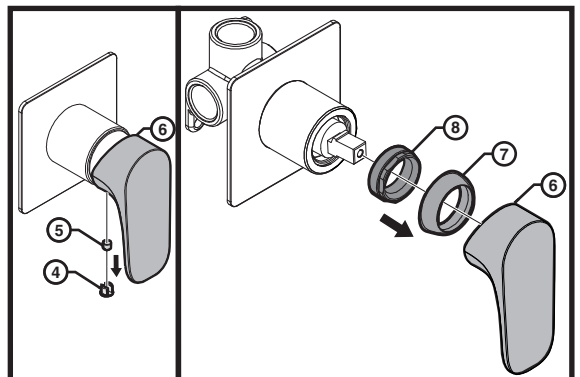


2. Fit the Shower Mixer Trim Set to finished wall.



Servicing - Replacement of Cartridge

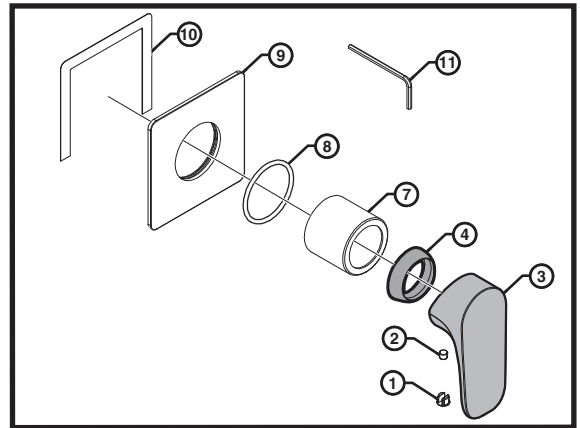
1. Remove Decorative Cover (4) and unscrew the Grub Screw (5) using an allen key.
2. Lift off the Handle (6) and remove the Cartridge Dome (7), unscrew the Brass Locking Nut (8).
3. Remove Cartridge Sleeve (9) and Back Plate (10).
4. Lift out the Cartridge (11).
5. Re-fit the Cartridge (11), Cartridge Sleeve (9) Back Plate (10), Locking Nut (8), Cartridge Dome (7) and Handle (6).
6. Tighten Grub Screw (5) and push in Decorative Cover (4).



Replacement of Trim Set

The Mizu Universal Inwall Body is an innovative installation system that allows for separation of the inwall body from the trim set kit. Once the Universal Inwall Body is installed, the retrofittable trim set kit can be updated to another choice of finish from the Mizu Silk range or a design and finish change from the Mizu Drift MK2 range.

1. Remove Decorative Cover (4) and unscrew the Grub Screw (5) using Allen Key (10).
2. Lift off the Mixer Handle (6) remove Cartridge Dome (7) and Cartridge Sleeve (11).
3. Remove mixer Backplate Set (12) .



MIZU SILK SHOWER MIXER						
Number	Part	Quantity	Chrome	Matte Black	Brushed Nickel	Brushed Gun Metal
4-12	Mizu Silk Shower Mixer Trimset	1 Set	9510746	9510747	9510748	9510749
4-6	Mixer Handle Set Complete	1	2265000	2265001	2265002	2265003
7	Concealed Wall Mixer Cap	1	2265017	2265018	2265019	2265020
11	Concealed Wall Mixer Cartridge Sleeve	1	2265021	2265022	2265023	2265024
12	Concealed Shower Mixer Plate Set	1	2265013	2265014	2265015	2265016
10	Allen Key 2.5mm	1				

Care Details

We recommend the use of soapy water or approved cleaners. This product should not be cleaned with abrasive materials. Damage caused by any improper treatment is not covered by the product warranty. Refer to Warranty Conditions

Plumbers, please ensure a copy of the installation instruction is left with the end user for future reference.

