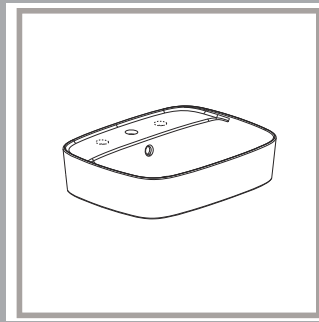
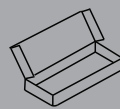
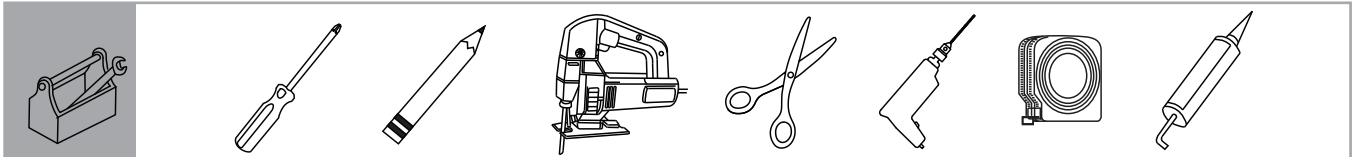
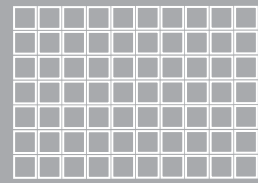


Signature Counter Basin

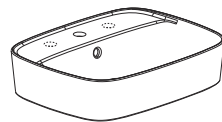
**CCAS0618-101/
CCAS0618-108**



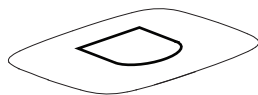
American Standard



**CCAS0618-
101/108**



— x1

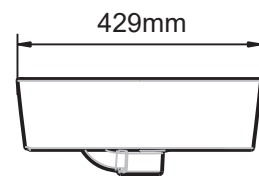
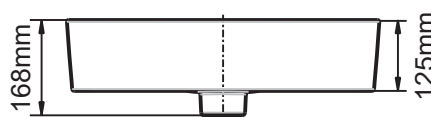
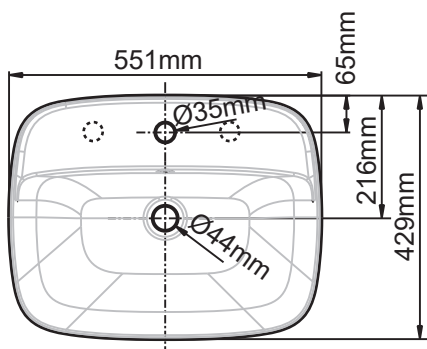


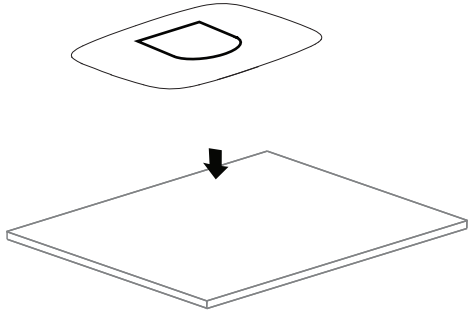
— x1

**CC1-CN511
M9A009618**

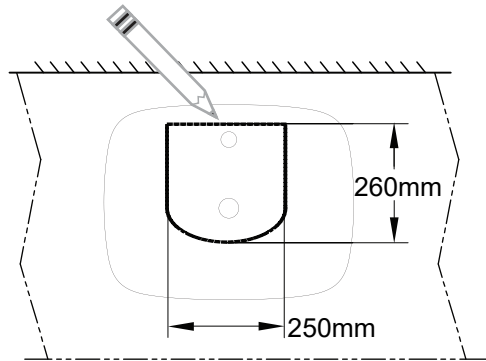


— x1

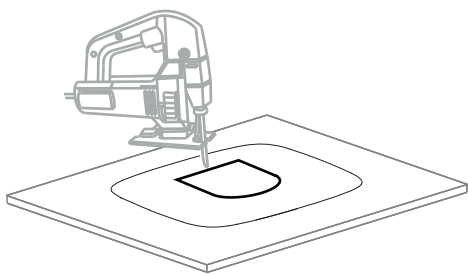




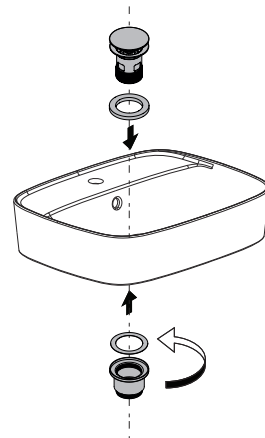
1



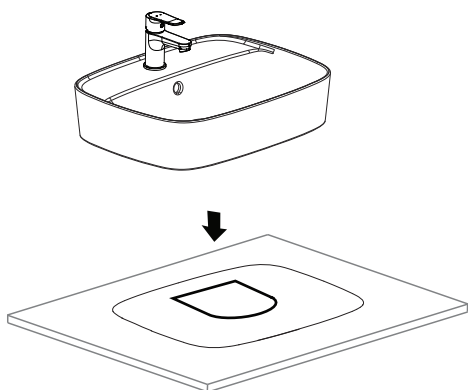
2



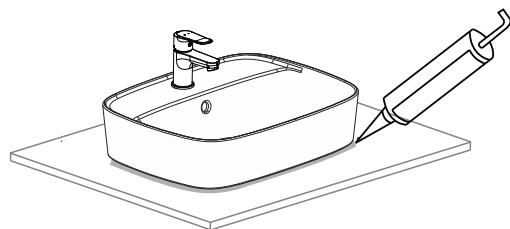
3



4



5



6