

A

B

C

D

1

1

2

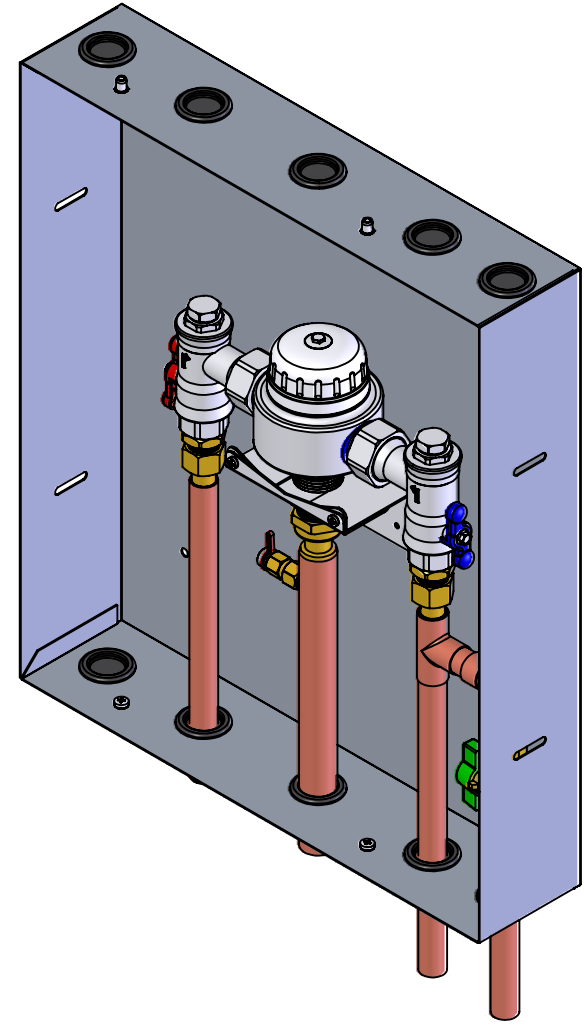
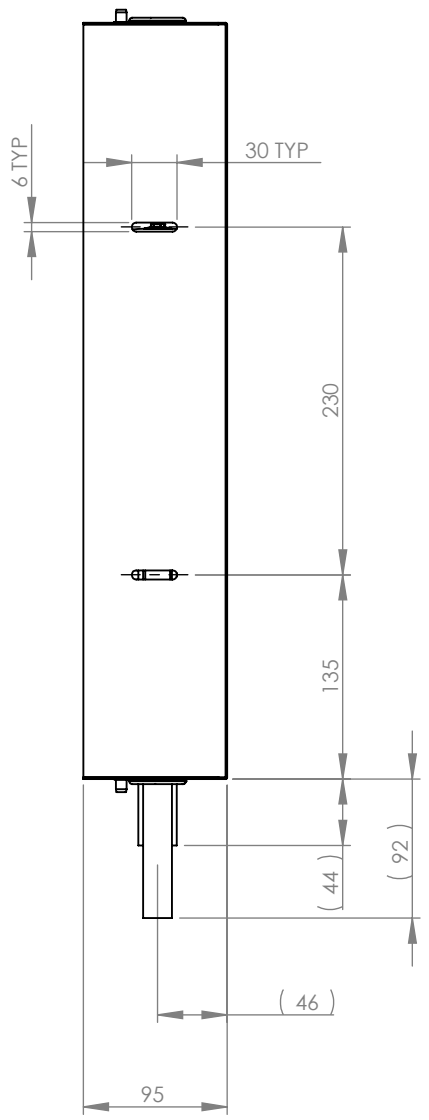
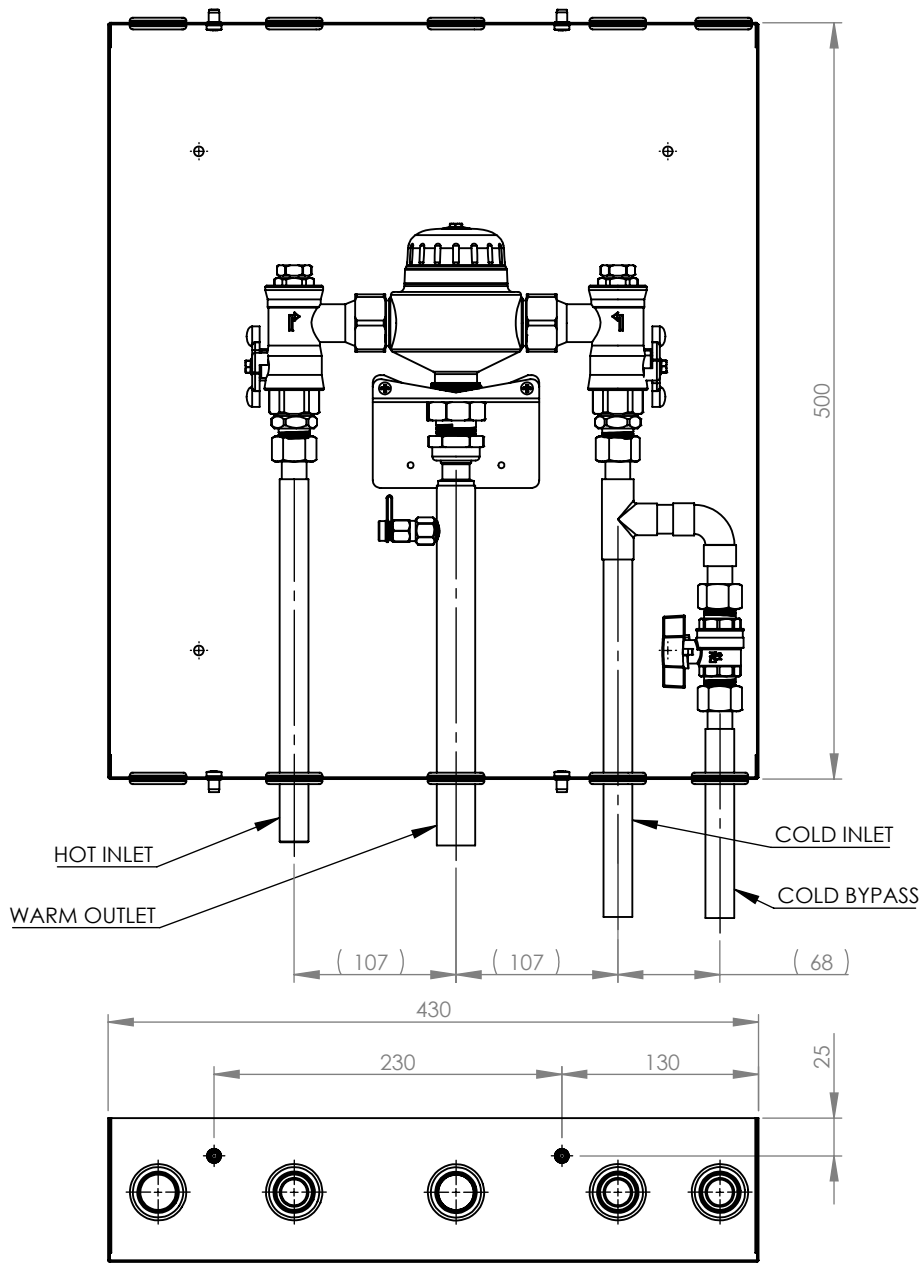
2

3

3

4

4



**NOTES:-**

1. THIS IS AVAILABLE WITH THE RECESSED LID (ATMSRL-430) ONLY



**GENERAL NOTES:**  
 - DIMENSIONS ARE IN mm's  
 - DO NOT SCALE OFF DIMENSIONS  
 - TAPWARE TOLERANCE / 2 (EXCEPT WHERE STATED )  
 - SAFETY SANITARY AND CARE TOLERANCE / 5 (EXCEPT WHERE STATED )

This drawing is the property of Enware Australia Pty Ltd and may not be reproduced in full or part without the written consent of Enware Australia.

|          |    |
|----------|----|
| DRAWN    | AK |
| CHECKED  | RA |
| APPROVED | LR |



9 Endeavour Rd, Caringbah, NSW, 2229  
 Ph. +61 2 8536 4000  
 Email: info@enware.com.au

|   |                     |
|---|---------------------|
| DRAWING NUMBER: ATMS729-430             | REV: A.0            |
| DESCRIPTION: AQUABLEND 2500 S/S CABINET |                     |
| FINISH:                                 | SIZE: A4 SCALE: 1:5 |

A

B

C

D

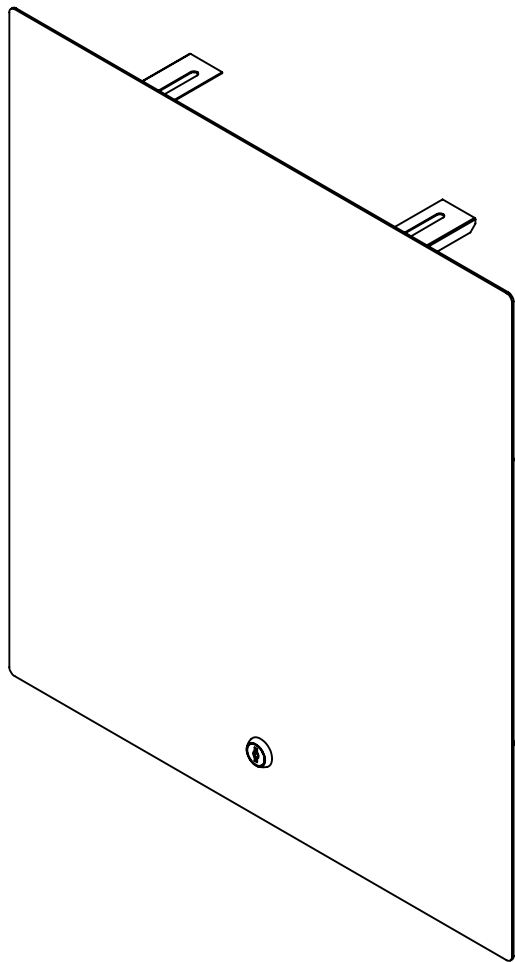
A

B

C

D

**ATMS729-430 OPTION**



ATMSRL-430  
LID-RECESSED ASSY TO SUIT 430X500 CAB

**NOTES:-**

- POWDER COATING (SALES CODE: ATMSRLPC-430 ) AVAILABLE (WILL REQUIRE LONGER PROCESSING TIME AND INDIVIDUAL QUOTATION)



**GENERAL NOTES:**  
 - DIMENSIONS ARE IN mm's  
 - DO NOT SCALE OFF DIMENSIONS  
 - TAPWARE TOLERANCE / 2 (EXCEPT WHERE STATED )  
 - SAFETY SANITARY AND CARE TOLERANCE / 5 (EXCEPT WHERE STATED )

This drawing is the property of Enware Australia Pty Ltd and may not be reproduced in full or part without the written consent of Enware Australia.

|          |    |
|----------|----|
| DRAWN    | AK |
| CHECKED  | RA |
| APPROVED | LR |



9 Endeavour Rd,  
Caringbah, NSW, 2229  
Ph. +61 2 8536 4000  
Email: info@enware.com.au

|   |                     |
|---|---------------------|
| DRAWING NUMBER: ATMS729-430             | REV: A.0            |
| DESCRIPTION: AQUABLEND 2500 S/S CABINET |                     |
| FINISH:                                 | SIZE: A4 SCALE: 1:5 |

A

B

C

D

1

1

2

2

3

3

4

4