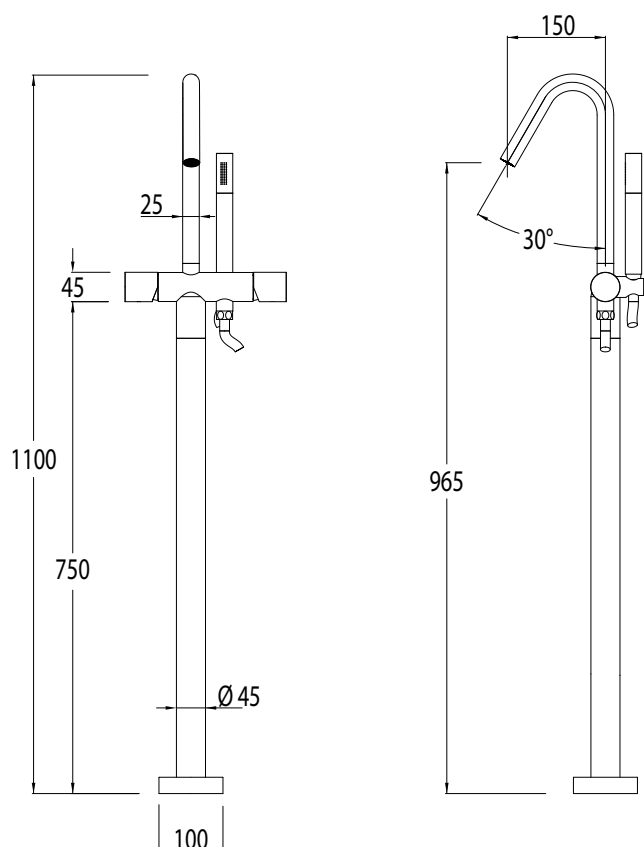


# MILLI

## PURE FLOOR MOUNT MIXER WITH HAND SHOWER



Dimensions are nominal measurements only.

### SPECIFICATIONS

<b>Recommended Use</b>	Domestic, Hotel and Commercial.
<b>Finish</b>	Chrome, Matt Black, Rose Gold, Brushed Gunmetal.
<b>Pressure Rating</b>	Maximum continuous operating pressure 1000kPa. As per AS/NZS 3500 pressure must be limited to 500kPa on any new home extension or renovation. For best performance and longer life we recommend 150-500kPa Hot and cold water inlet pressure should be equal.
<b>Temperature Rating</b>	Max continuous working temperature 65 deg. C
<b>Suitable Hot Water Units</b>	Storage Tank: Yes Continuous Flow: Yes Gravity Feed: Not recommended



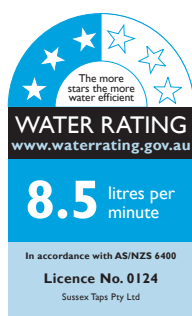
To see the complete MILLI range go to [www.reece.com.au/bathrooms](http://www.reece.com.au/bathrooms)

### CLEANING RECOMMENDATIONS

We recommend the use of soapy water or approved cleaners.

This product should not be cleaned with abrasive materials.

Damage caused by any improper treatment is not covered by the product warranty. Refer to Warranty Conditions.



**Disclaimer:** Products in this specification manual must by regulation be installed by licensed and registered trade people. The manufacturer/distributor reserves the right to vary specifications or delete models from their range without prior notification. Dimensions are nominal measurements only. Dimensions and set-outs listed are correct at time of publication however the manufacturer/distributor takes no responsibility for printing errors.

Tech Page Version 1



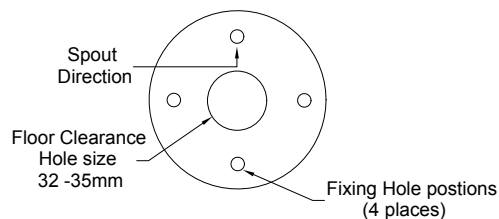
# MILLI PURE FLOOR MOUNT MIXER WITH HAND SHOWER

## INSTALLATION INSTRUCTIONS

Tapware is to be installed by a Licenced Plumber in accordance with AS/NZS 3500:2003

Working water pressure 150 - 500 kPa.  
Maximum water temperature is 65 deg.C.  
Floor Clearance Hole size 32 - 35mm

### TEMPLATE / BASE PLATE



### CONNECTIONS

- This mixer is fitted with Flexible Hoses that have 1/4" BSP female connections.
- The 1/4" BSP female fittings of the Flexible hoses have a cone seal.
- The Mixer is also supplied with 350mm Copper Tubing that has 1/4" BSP male fittings brazed on both ends.
- Adapter fittings from main Hot/Cold Lines to 1/4" fittings of the Copper tube are not supplied.

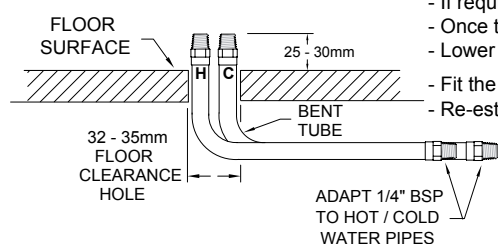
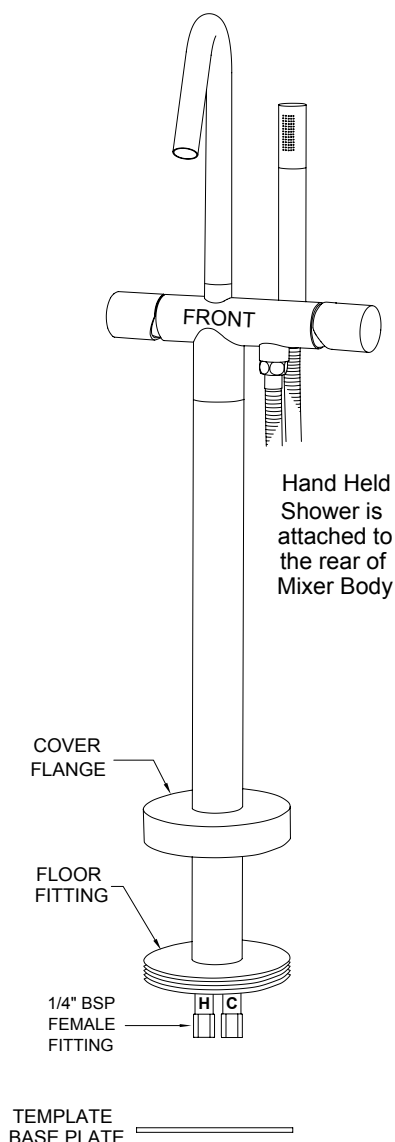
### ROUGH IN PLUMBING

- Floor Surface clearance hole is to be between 32 – 35mm.
- Use the provided Template / Base plate to mark out the fixing points (X4).
- Drill for appropriate Fixing screws / Fasteners. (Not supplied)
- Directional arrow on the base plate indicates the Mixer angle to the Bath.
- Calculate and carefully bend the Copper Tube 90 degrees at the appropriate point (Do not kink the Tube).
- Ensure the 1/4" fitting will finish 25 – 30mm passed the Floor Surface. (See drawing)
- Pass the bent Tubes through the Floor Surface and connect to the main Hot and cold water lines.
- Adapter fittings are not supplied.
- Saddle or brace the water lines where possible to prevent excessive movement.
- Use thread tape and fit the provided End Caps to the 1/4" threads above the floor surface until final fit off is required.
- Perform pressure test to check connections for leaks prior to final fit off.

NOTE: The Template / Base plate can remain in position and if applicable be used to Tile up to.

### FIT OFF

- Note: a second person will be required to assist when connecting the Mixer.
- Shut off the water supply.
- Remove Template and seal the Floor Surface around the protruding 1/4" fittings.
- Place the Template/Base Plate over the 1/4" fittings and align the directional arrow and fixing holes. Ensure surface is completely water tight.
- Remove the End Caps from the 1/4" fittings.
- Seek assistance, a second person will be required to hold the mixer in place while the Flexible hoses are connected.
- The fittings on the Flexible Hoses have a cone seal.
- Using the appropriate spanners, attach and tighten the Flexible hoses to the 1/4" male fittings (Tighten well).
- Unscrew the Cover Flange from the Floor Fitting and carefully raise enough to allow the Mixer to be fastened.
- The mixer must be aligned so the "FRONT" label faces the Bath.
- For correct installation the Hand Shower should be hung to the rear of the Mixer Body.
- Lower the Mixer onto the Template / Base Plate and lightly secure the Mixer in position.
- Check with a level that the Mixer is Square.
- If required use the "Jacking" screws (4) located in the Floor Fitting to level the Mixer.
- Once the Mixer is level, secure the Mixer to the Floor (Tighten well).
- Lower the Cover Flange to meet the Finished Floor Surface.
- Fit the Shower Hose To Mixer Body.
- Re-establish water supply and check Mixer operation and check for any leaks.



April 2016