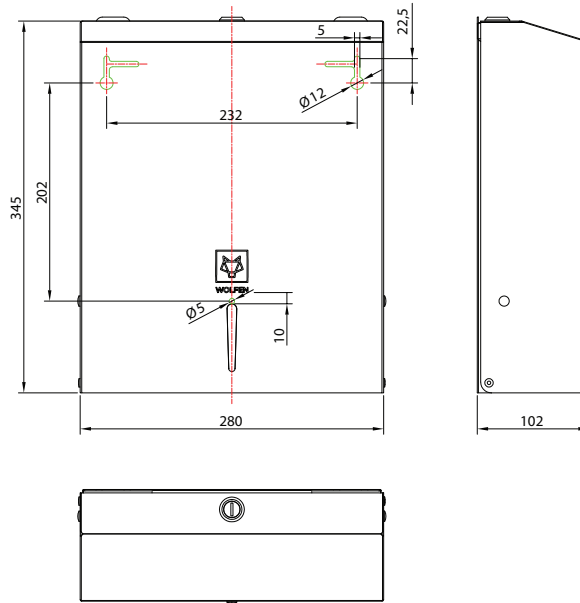




WOLFEN™

# Wolfen Paper Towel Dispenser Stainless Steel



Installation Fixing Points

## IMPORTANT NOTE

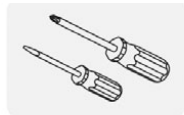
Please be careful while opening the packaging, installing and cleaning the product to avoid surface damage. (Please refer to specification sheet for cleaning recommendations.)

Following instructions are for installations to dry walls and timber supported surfaces. It is the responsibility of the installer to ensure that appropriate fixtures are used for the wall surface.

## RECOMMENDED TOOLS



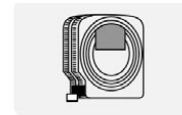
IMPACT DRILL



SLOT TYPE SCREWDRIVER  
PHILIP'S TYPE SCREWDRIVER



ALLEN KEY



TAPELINE

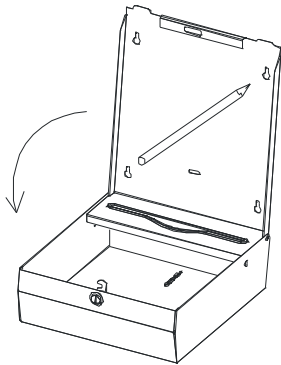
Installers, please ensure a copy of the installation instructions is left with the end user for future reference.



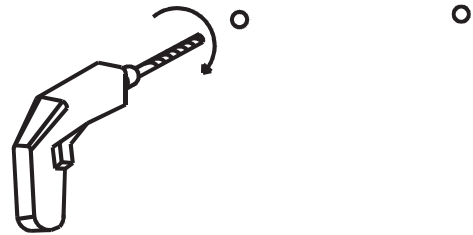
WOLFEN™

# Wolfen Paper Towel Dispenser Stainless Steel

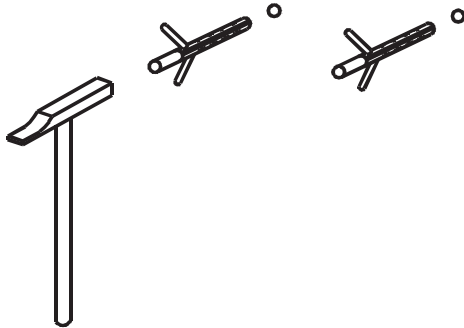
## INSTALLATION



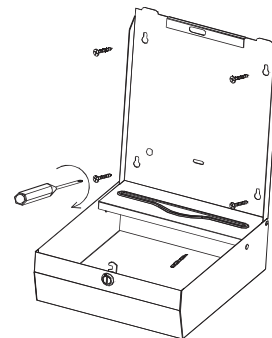
1. Place the mounting surface against the wall and mark out the mounting holes.



2. If installing to a thin or hollow wall surface, pre-drill holes in the wall to use the included wall anchors (skip to step 4 if installing to a timber backed surface).



3. Place the wall anchors into the drilled holes.



4. Use the supplied fastening screws to fix the product to the wall. Use the supplied key to lock and unlock the unit.

Installers, please ensure a copy of the installation instructions is left with the end user for future reference.

Published 20/10/2020