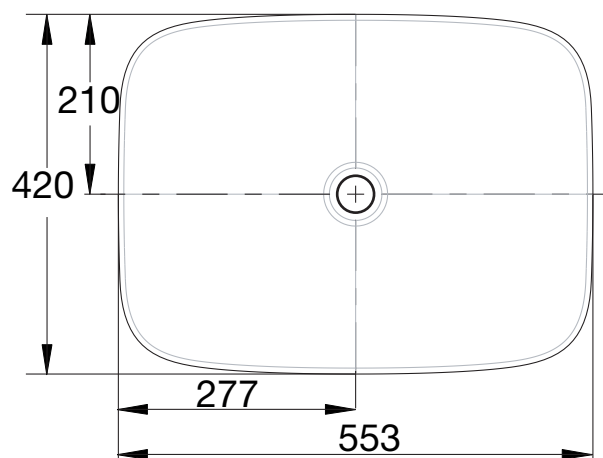
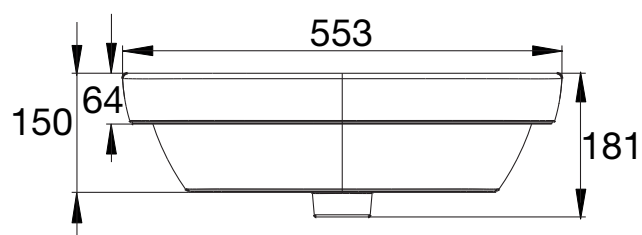


AMERICAN STANDARD

CYGNET SEMI INSET BASIN 553MM



Dimensions are nominal measurements only.

SPECIFICATION

Recommended Use	Domestic, hotel or commercial
Material	Fine Fire Clay
Weight	14kg
Fixing	Sealed to benchtop with waterproof sealant
Integrated Overflow	No
Tap Hole Availability	None
Plug & Waste	Suits 32 x 40mm overflow waste (not supplied)
Capacity	13 litres
Colour Availability	White
Template	Supplied with product



To see the complete AMERICAN STANDARD range go to www.reece.com.au/bathrooms

CLEANING RECOMMENDATIONS

We recommend the use of soapy water or approved cleaners.

This product should not be cleaned with abrasive materials.

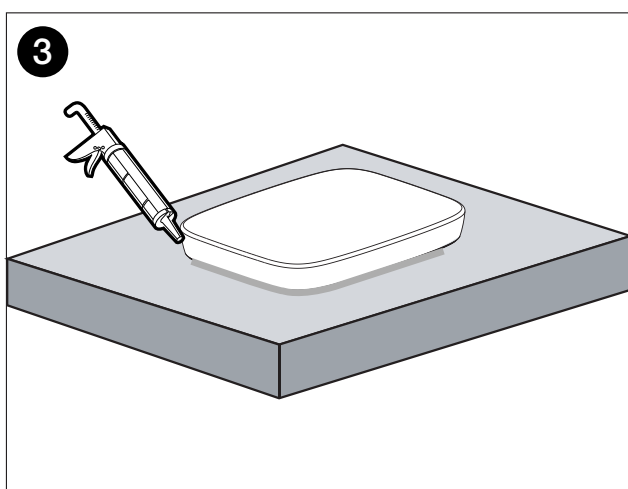
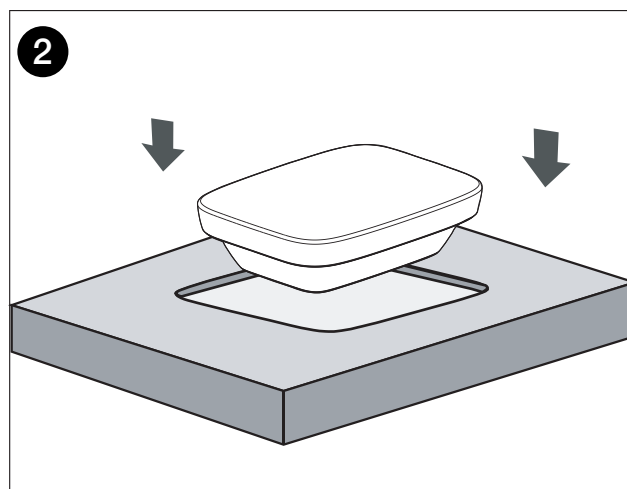
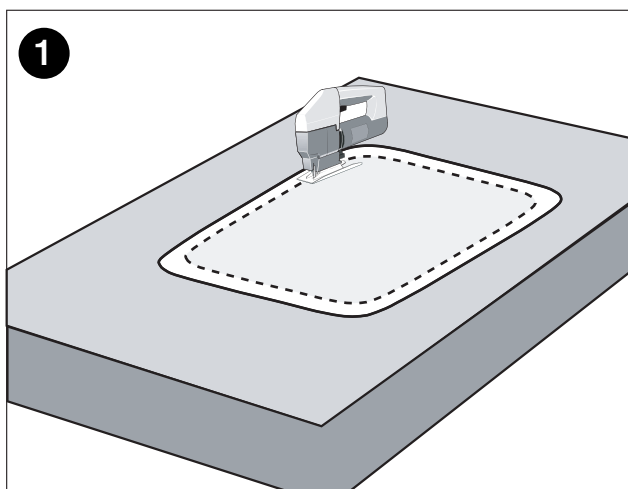
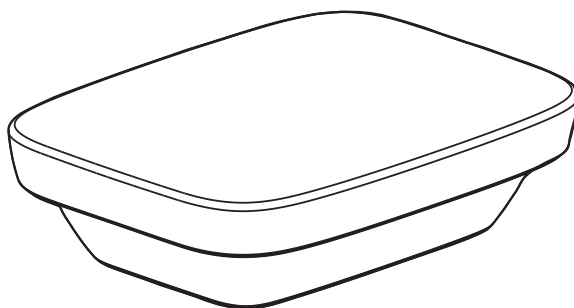
Damage caused by any improper treatment is not covered by the product warranty. Refer to Warranty Conditions.

Disclaimer: Products in this specification manual must by regulation be installed by licensed and registered trade people. The manufacturer/distributor reserves the right to vary specifications or delete models from their range without prior notification. Dimensions are nominal measurements only. Dimensions and setouts listed are correct at time of publication however the manufacturer/distributor takes no responsibility for printing errors.

Tech Page Version 1

AMERICAN STANDARD CYGNET SEMI INSET BASIN 553MM

INSTALLATION INSTRUCTIONS



Plumbers, please ensure a copy of the installation instructions is left with the end user for future reference