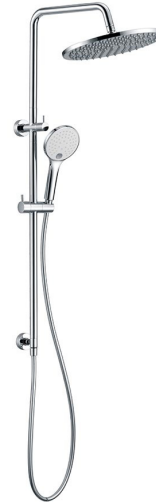


Mizu Drift Twin Waterrail with 300mm Brass Overhead (3 Star)

SPECIFICATIONS

Recommended Use	Domestic, Hotel & Commercial
Colour	Chrome
Colour Availability	Chrome Matte Black Brushed Nickel Brushed Gold
Shower Head Material	Brass or ABS
Inlet Position	Top Water Inlet
Recommended Pressure Range	150 - 500kPa
Max Continuous Working Pressure	1000kPa
Max Continuous Working Temperature	60°C
Suitable for Storage Tank Hot Water	Yes
Suitable for Continuous Flow Hot Water	Yes
Suitable for Gravity Feed Hot Water	No

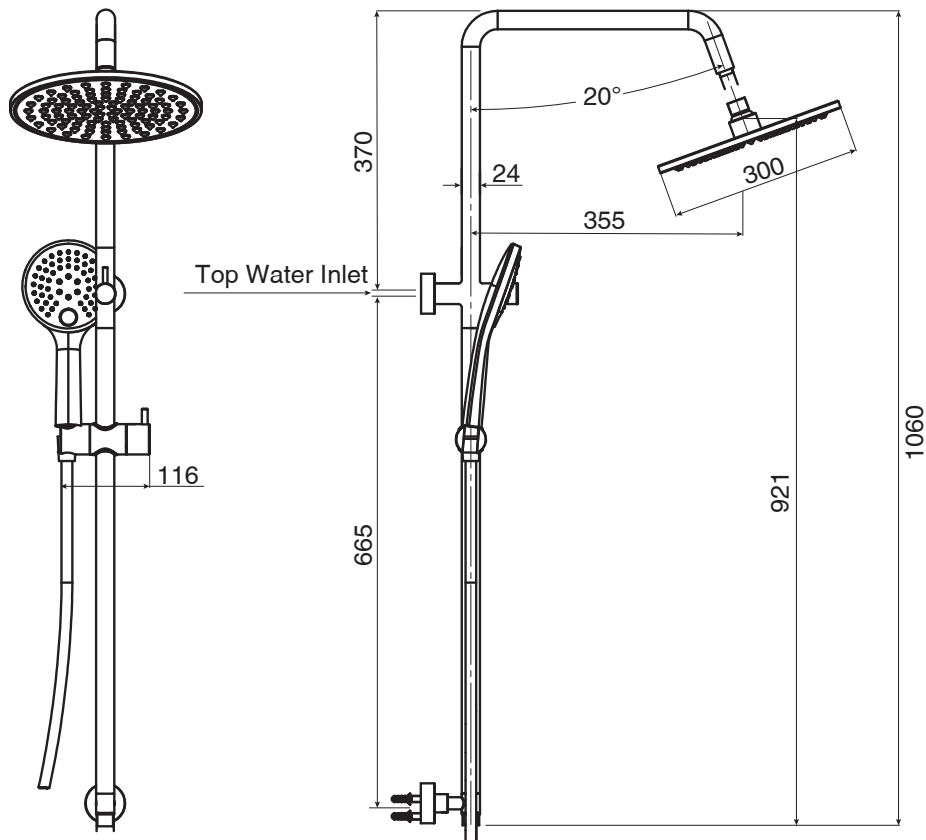
Hot and Cold water inlet pressure should be equal



WARRANTY

Warranty - Domestic Use	10 Years
Spare Parts & Labour	12 Months

Please refer to Warranty Page for full Terms and Conditions



Dimensions are nominal measurements only.

Disclaimer: Products in this specification manual must by regulation be installed by licensed and registered trade people. The manufacturer/distributor reserves the right to vary specifications or delete models from their range without prior notification. Dimensions are nominal measurements only. Dimensions and set-outs listed are correct at time of publication however the manufacturer/distributor takes no responsibility for printing errors.

Published 28/08/2020

