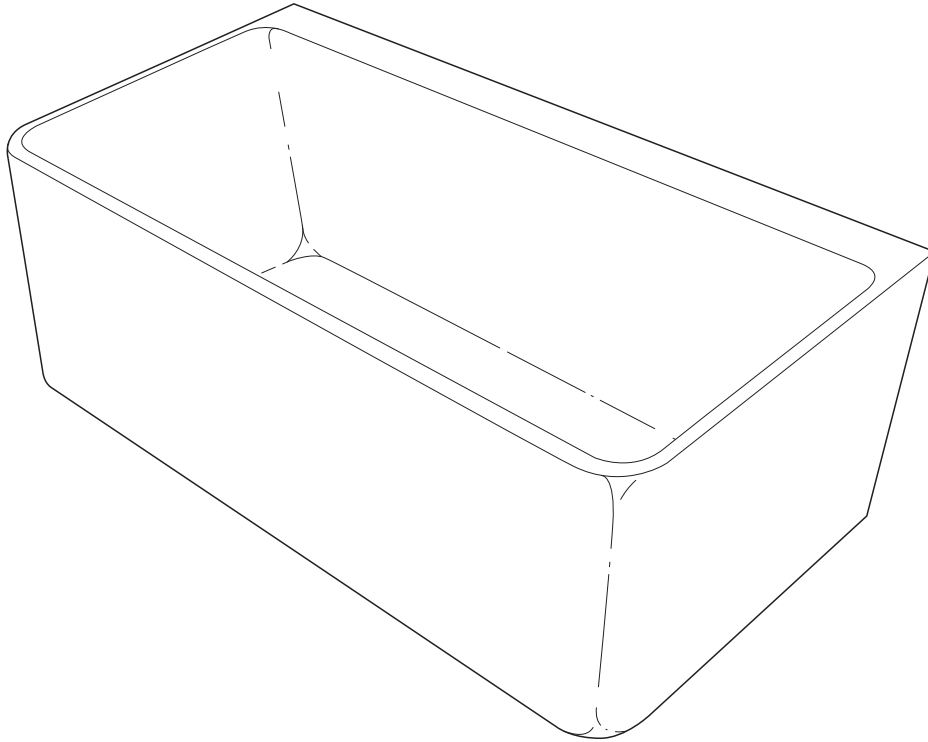


Domaine Back To Wall Freestanding Baths With / Without Overflow



Prior To Installation



Only a qualified tradesperson with knowledge of statutory plumbing requirements in accordance with AS/NZS 3500 should carry out the installation of the bath's water connections.

- Please unwrap the bath, check it carefully for any damage at the point of delivery when received.
- Check that all parts have been supplied.
NOTE: Installation is deemed as acceptance. No consideration for any damage claim will be considered once bath is fully installed.
- All waste and plumbing should be determined by the licensed plumber to accommodate site conditions.

Installation

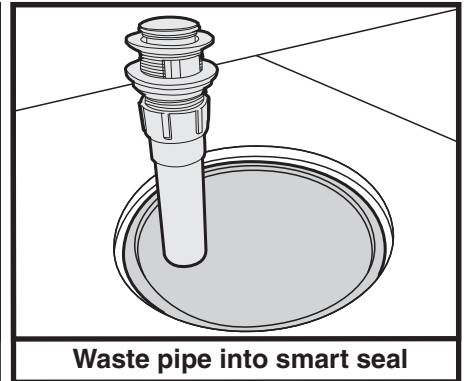
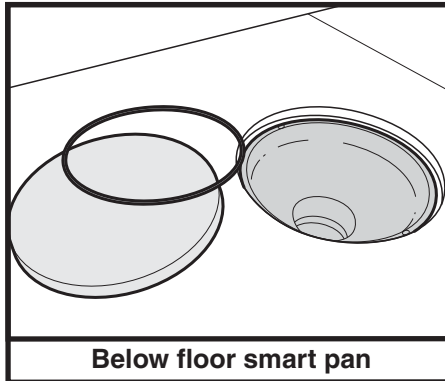
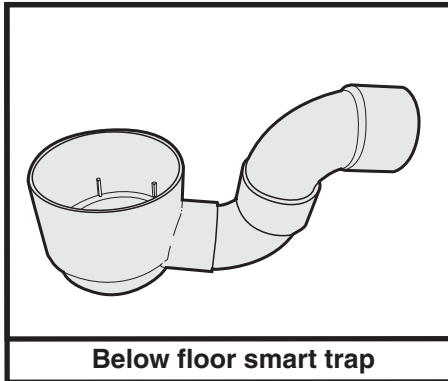
- Install waste pipe and trap - considering the bath's waste position. Make sure that the surface where the bathtub will be placed is perfectly flat, clean, free of moisture and offers adequate support.
- Ensure all adjustable bath feet are level and are in a load-bearing position.
- To make height adjustments, the bath feet can be rotated to raise or lower the feet.
- Adjust the bath feet until the bath is 3mm above the floor, and once the bath is level and the feet are in the correct position, the locking nut can be tightened with a spanner to prevent the feet from moving further.
- Measure the bathtub feet' location relative to the desired installation position. Mark on the floor the location of the feet and use a marking pencil to draw a bath outline on the floor around the bath base.
- Check that the bath is level along the top and bottom.
- For bath with integral overflow fill bath to overflow level and check for drainage and leakage.
- Lift and tilt the bath up on its side and fit the waste. Water test the bath to check that it drains correctly without any leaks.
- Seal the bottom of the bath with silicone into a 3mm gap between the base of the bath and the floor, leave small gap approx 15-20mm where silicone meets wall. Allow the silicone to cure before use fully.

Domaine Back To Wall Freestanding Baths With / Without Overflow

• **1. Slab floor or 2nd storey suggested waste installation method.:**

- 1405525 DWV Adaptor PVC X FI 40mm
- 1400105 40mm DWV PVC pipe (installer to cut to length)

-Slab floor or 2nd storey bath connection

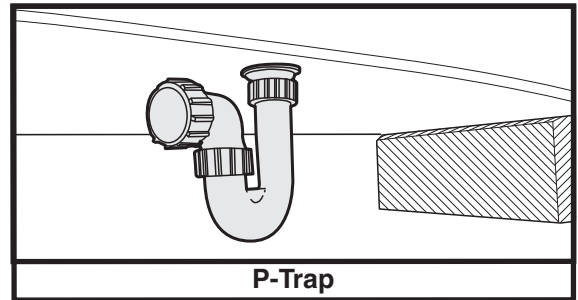


• **2. Timber floor with clear access underneath:**

Connection of bath waste to 40mm P-Trap in timber sub-floor is acceptable when clear access is available under the floor.

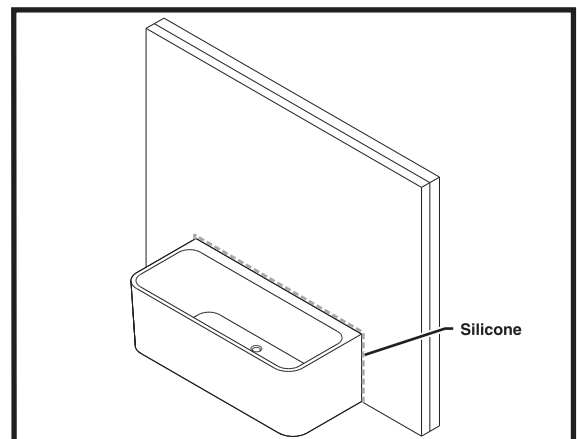
- 1409115 Dura Standard P Trap 40mm or 1409121 Dura Short P Trap 40mm
- 1400105 40mm DWV PVC pipe (installer to cut to length)

-Timber floor with clear access underneath



Freestanding Back To Wall

- Apply sanitary grade silicone sealant to where bath meets wall and floor surfaces.



Care Details

We recommend the use of soapy water or approved cleaners. This product should not be cleaned with abrasive materials. Damage caused by any improper treatment is not covered by the product warranty - refer to Warranty Conditions.

Plumbers, please ensure a copy of the installation instruction is left with the end user for future reference.