

To ensure that your installation proceeds smoothly,
please read this instructions carefully before you begin.

American Standard

Signature

FFAS1701-101500ZNO
Single Hole Basin Mixer

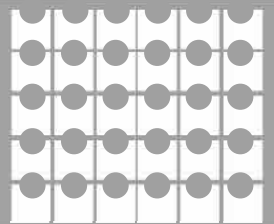
FFAS1702-101500ZNO
Single Hole Extended Basin Mixer



FFAS1701-101500ZNO



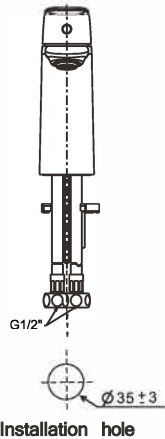
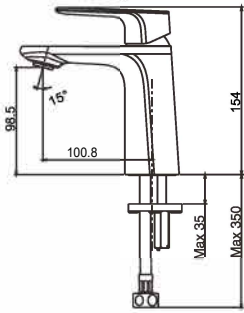
FFAS1702-101500ZNO



Installation &
Operation Instruction

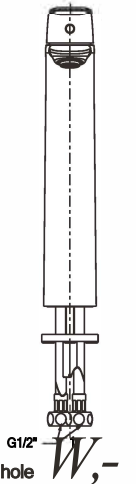
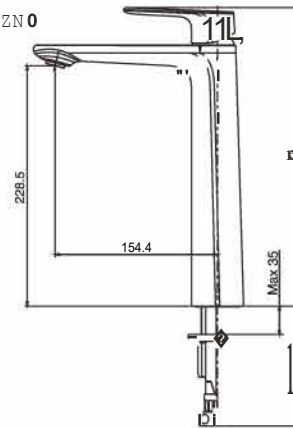
Dimension

FFAS1701-101500ZNO



Installation hole

FFAS1702-101500ZNO



Installation hole

Unit: mm

Installation

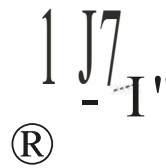
D Preparation



- * Consult the dimension drawing and lay the pipes.
- * Wash and clean the water supply pipeline.

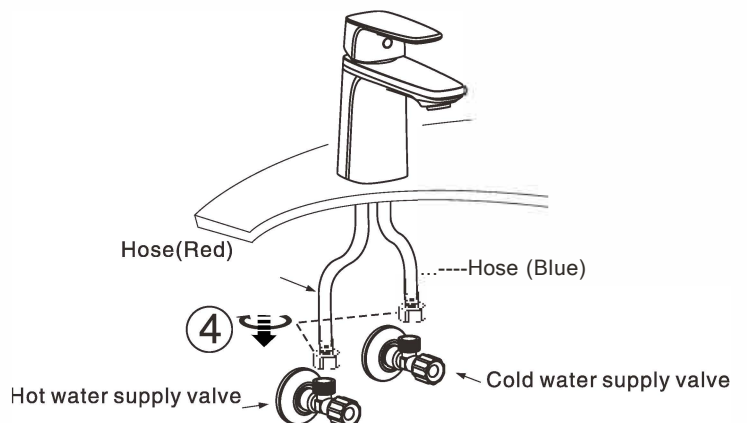
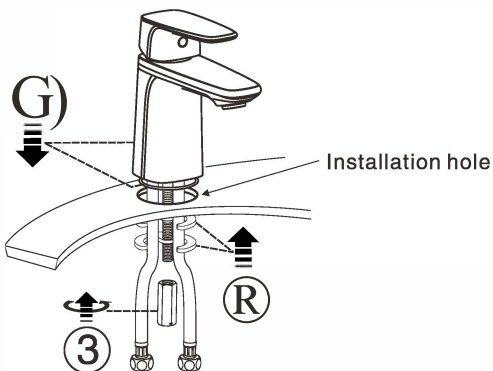
Water Supply
Pipeline(Hot)

Water Supply
Pipeline(Cold)



Stop Valve (Provided by user)

H Faucet Installation



Parts List

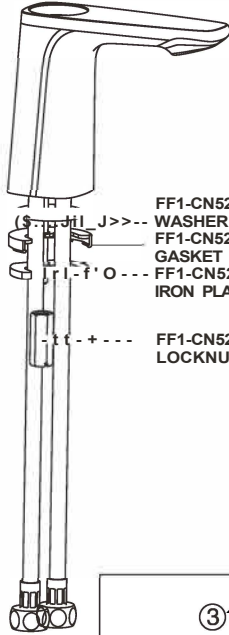
FF1-CN521 L0006450X
HANDLE

FF1-CN521 F0007350P -
COVER
CN521 N0005499B-

FF1-CN521 C0002399P -
CARTRIDGE



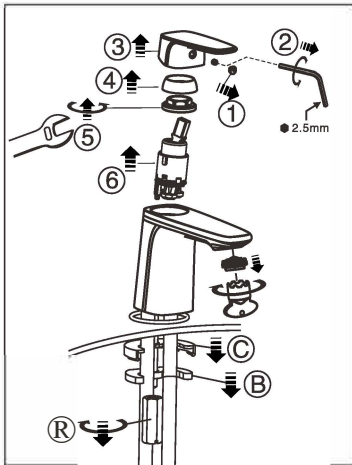
FF1-CN521 N00000228
SCREW
FF1-CN521Z00004950
PLUG



FF1-CN521A0001799P
AERATOR

FF1-CN521 G00000067
WASHER
FF1-CN521 G00000238
GASKET
FF1-CN521J00000432
IRON PLATE

FF1-CN521 N00000073
LOCKNUT

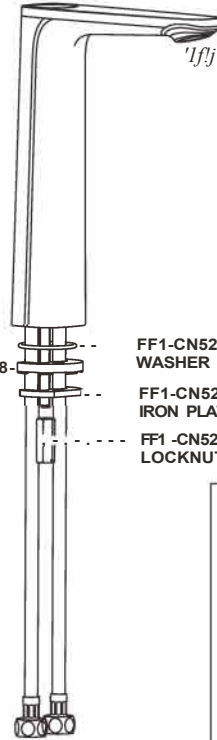


FFAS1701-101500ZNO

FF1-CN521 L 0 0 0 6 4 5 0 X - n
HANDLE
FF1 -CN521 F0007350P - t = : : ,
COVER
FF1 -CN521 N0005499B /
NUT

FF1 -CN521 C 0 0 0 2 3 9 9 P -
CARTRIDGE

FF1-CN521 N00000228
SCREW
FF1-CN521Z00004950
PLUG



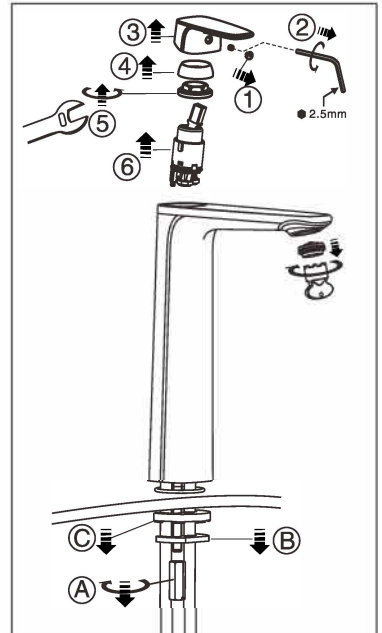
FF1-CN521A0001799P
AERATOR

FF1 -CN521 G00000238-
GASKET

FF1-CN521G00000067
WASHER

FF1-CN521J00000432
IRON PLATE

FF1 -CN521 N00000073
LOCKNUT



FFAS1702-101500ZNO

Notice

*Remove all impurities in pipes before beginning to avoid clogging. Connect faucet pipes correctly.

*Check installation distances in the Dimension diagram to ensure correct installation.

Conditions for use

* Recommended water pressure condition: 0.1-0.5Mpa.

* Environment Temperature:1-55°C

* Steam is not allowed to use.

* The cold and hot water pipes must not be reversed.

When in the process of installation, Please grab the body. Do not grab handle only.