

# UFH THERMOSTATIC CONTROL



## OVERVIEW

A compact prefabricated pack designed to thermostatically control the temperature of water within an underfloor heating system. The kit includes the thermostatic mixing valve, and a flow manifold connection tee piece which includes a ½" FBSP tapping that can be used for reading temperatures and pressures or as a connection point for the UFH Overheat Thermostat.

## FEATURES AND BENEFITS

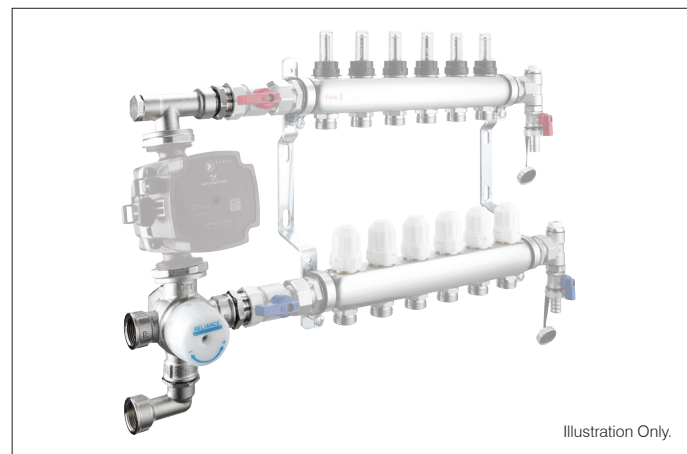
- The thermostatic unit gives excellent temperature stability particularly when return temperatures and mixed water temperatures are close to equal.
- The system is designed to be fully flexible and can be fitted on either left or right sides of the manifold, with the return at top or bottom.
- The mixing valve will function down to 25°C to ensure that initial warm-up and commissioning can be correctly carried out.
- The side profile of the valve is reduced to allow easy fitting of the pack inside cabinets.
- Features a temperature range from 25°C up to 60°C to cater for all types of floor constructions.

## MATERIALS

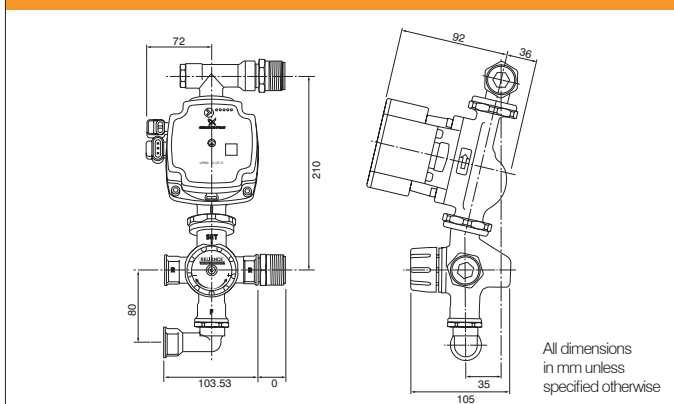
<b>Body</b>	Nickel Plated Brass
<b>Seals</b>	Fibre
<b>O-Rings</b>	Viton
<b>Spring</b>	Stainless Steel

## SPECIFICATIONS

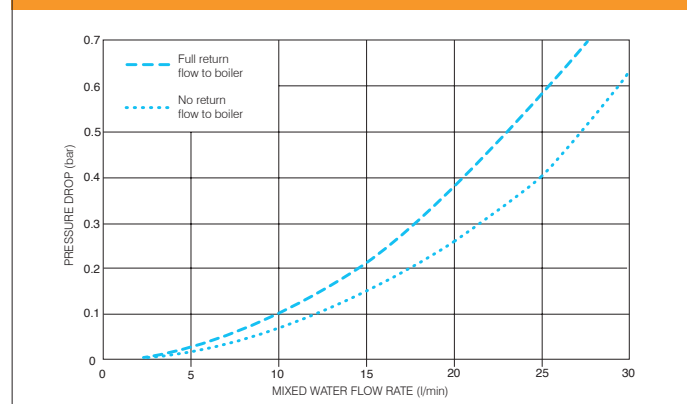
<b>Hot temperature supply range</b>	60°C - 85°C
<b>Adjustable temperature range</b>	25°C - 60°C
<b>Maximum supply pressure</b>	10 bar
<b>Factory set temperature range</b>	45°C +/- 2°C
<b>Temperature stability</b>	+/- 2°C
<b>Connections</b>	Mixing valve inlets ¾" FBSP Manifold connections 1" MBSP



## DIMENSIONS



## FLOW RATE



# STAINLESS STEEL UFH MANIFOLD



## OVERVIEW

Stainless steel manifolds for use on underfloor heating systems. These consist of two manifold bars, one for the flow and one for the return, complete with ball valves, drain/filling valves and air vents. On the flow bar each port has a flow indicator, with isolator including an easy-to-read gauge-glass. Each port on the return bar is equipped with an integral control valve and protection cap which allows the user to adjust the volume of water, or can be removed to accept a Manifold Thermoelectric Head.

## FEATURES AND BENEFITS

- Supplied pre-mounted on installation brackets.
- Valves on return manifold accept a Manifold Thermoelectric Head for remote control of each zone.
- 1" ball valves, filling and drain-off points are included.
- Flow meters with isolating valves included.
- Auspex circuit pipe connectors.
- Circuit pipe bend supports.
- Circuit labels.
- Home owners guide.

## SPECIFICATIONS

<b>Maximum supply pressure</b>	6 bar
<b>Maximum temperature</b>	120°C
<b>Connections</b>	1" FBSP

## MATERIALS

<b>Body</b>	304 Stainless steel
<b>Seals</b>	Fibre
<b>Bracket</b>	Zinc plated mild steel
<b>Isolating Valve body</b>	Nickel plated brass
<b>Drain/Air Vent</b>	Nickel plated brass

## DIMENSIONS

Product	Dimensions				
	A	B	C	D	E
3 circuit UFH manifold kit	325mm	210mm	50mm	326mm	90mm
4 circuit UFH manifold kit	325mm	210mm	50mm	376mm	90mm
5 circuit UFH manifold kit	325mm	210mm	50mm	426mm	90mm
6 circuit UFH manifold kit	325mm	210mm	50mm	476mm	90mm
7 circuit UFH manifold kit	325mm	210mm	50mm	526mm	90mm
8 circuit UFH manifold kit	325mm	210mm	50mm	576mm	90mm
9 circuit UFH manifold kit	325mm	210mm	50mm	626mm	90mm
10 circuit UFH manifold kit	325mm	210mm	50mm	676mm	90mm
11 circuit UFH manifold kit	325mm	210mm	50mm	726mm	90mm
12 circuit UFH manifold kit	325mm	210mm	50mm	776mm	90mm

