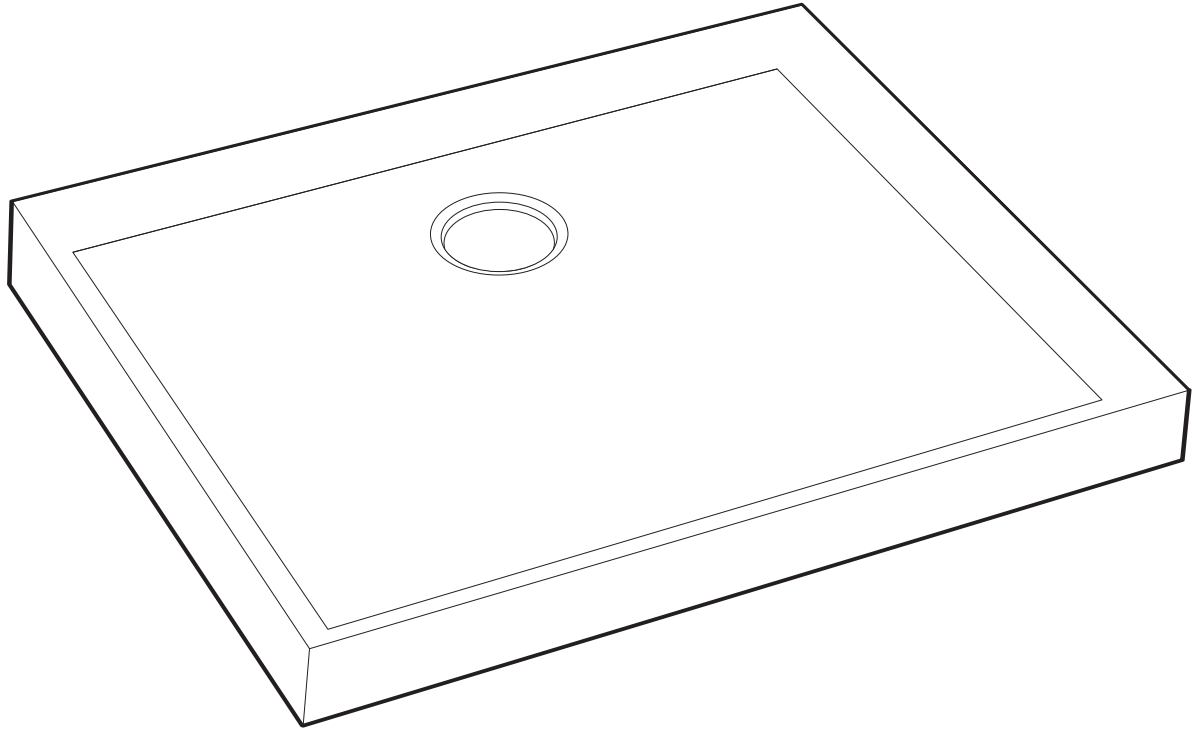




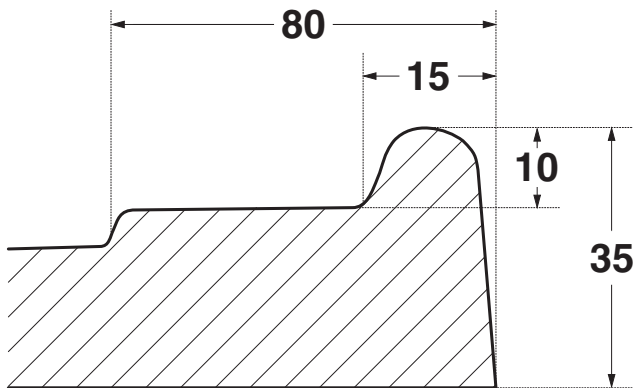
Posh Solus Polymarble Shower Base



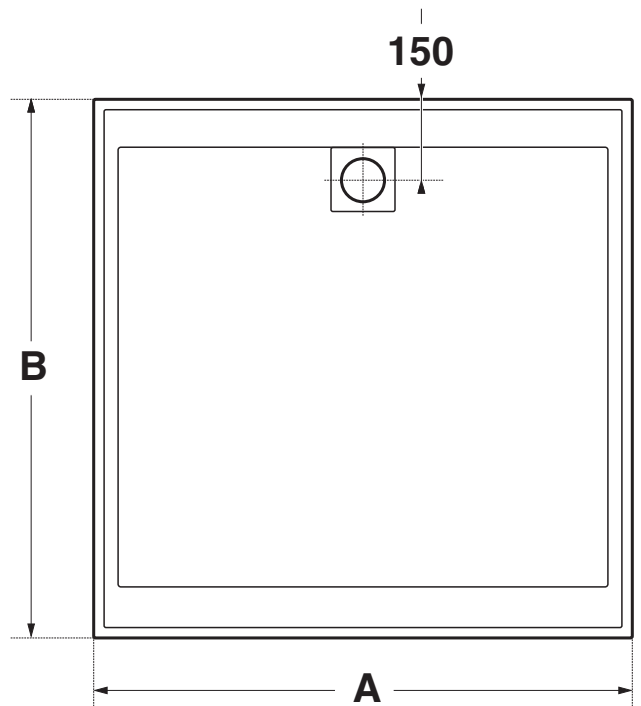
Diagram

The Posh Solus polymarble shower base is a 4 sided, low profile shower base with a rear outlet. This model is available in White.

Size	A	B
900x900	900	900
1200x900	1220	900



BACK EDGE PROFILE

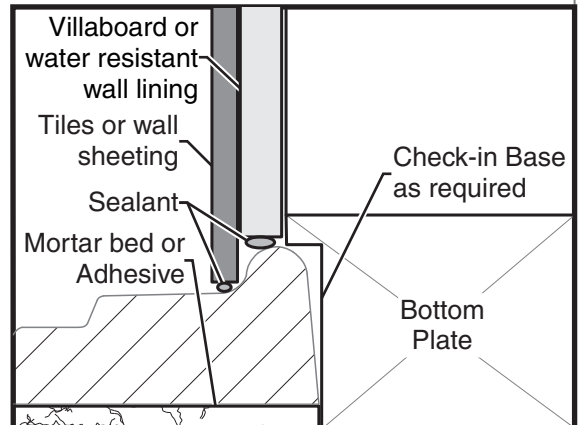


Posh Solus Polymarble Shower Base

Installation Instructions

Pre-Installation Note

- It is recommended installation practice to check the edge of the base into the wall by the width of the tiling flange in order to achieve a leak-free junction with the wall cladding material.

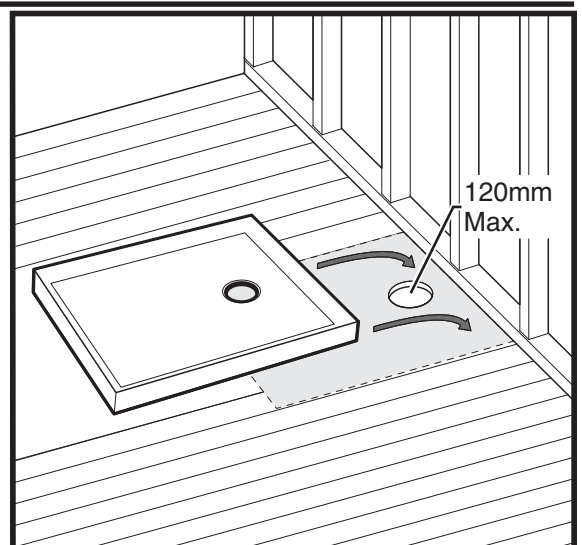


Timber Floor

- Floor boards or sheet flooring must cover the entire underside of the base.
- Cut a hole for waste no greater than 120x120mm.

Note: If renovating, ensure the floor is structurally sound. Replace the floor if necessary.

- Shower base to be fixed to floor by spreading cement-based tile adhesive on the floor using a 12mm notched trowel or by use of silicone sealant.
- Alternatively, where the floor is not perfectly level, the base can be set into a mortar bed - spread a 10mm thick mortar bed of 4:1 Washed Sand: Spread the mortar over the whole area where base is to be installed then trowel off level.



Important



Do not use "Liquid Nails" or similar rigid construction type adhesive to install base.

- Lay the shower base on the prepared bed and use a spirit level to adjust the base to ensure it is level along all sides and diagonally. This will allow the base to drain properly as it has an inbuilt fall to the waste outlet.

Install base on mortar bed or cement-based tile adhesive.

Important



At this point it is imperative to check that water drains to the waste outlet prior to lining the shower walls (see Smartpan/ Smartwaste). Failure to do so is a breach of warranty.

posh

Posh Solus Polymarble Shower Base

Concrete Slab

- Any boxed opening in the slab to accommodate the waste must not exceed 300mm in width beneath the shower base.
- Shower base to be fixed to floor by spreading cement-based tile adhesive on the floor using a 12mm notched trowel, or by use of silicone sealant. Alternatively, where the floor is not perfectly level, the base can be set into a mortar bed - spread a 10mm thick mortar bed of 4:1 Washed Sand: Spread the mortar over the whole area where base is to be installed then trowel off level.



Do not use “Liquid Nails” or similar rigid construction type adhesive to install base.

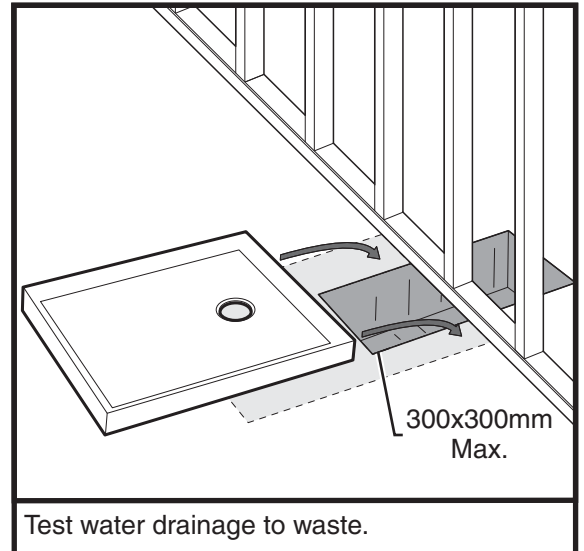
- Lay the shower base on the prepared bed and use a spirit level to adjust the base to ensure it is level along all sides and diagonally. This will allow the base to drain properly as it has an inbuilt fall to the waste outlet.



At this point it is imperative to check that water drains to the waste outlet prior to lining the shower walls (see Smartpan/ Smartwaste). Failure to do so is a breach of warranty.

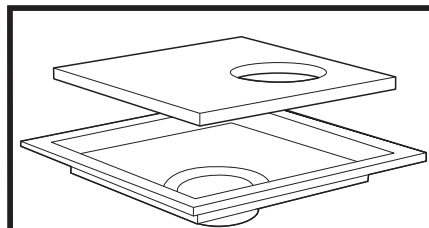
- Backfill the opening in the slab with a 4:1 Washed Sand: Cement mix ensuring the mortar is packed tightly around the waste outlet and all the way back into the boxed section of the slab and up to the underside of the base to give maximum support.

Note: Where required by regulation plastic pipe and fittings may need to be lagged prior to backfilling.

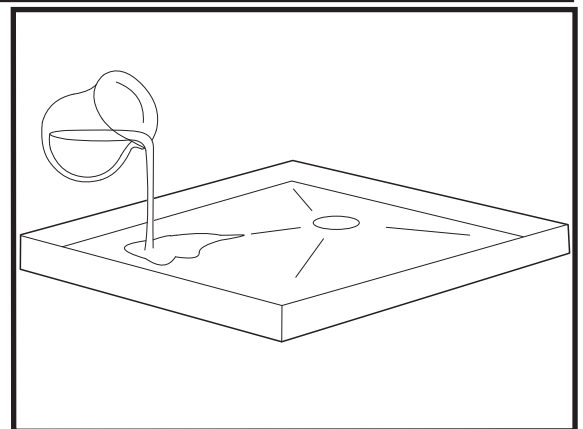


Smartpan/Smartwaste

- When the installation uses these products as waste collectors, ensure that the lid/cover is fitted to provide adequate support for the base. Cut a hole in the lid/cover the same size as the waste.



Smartpan/ Smartwaste fitting - lid/cover must remain on.

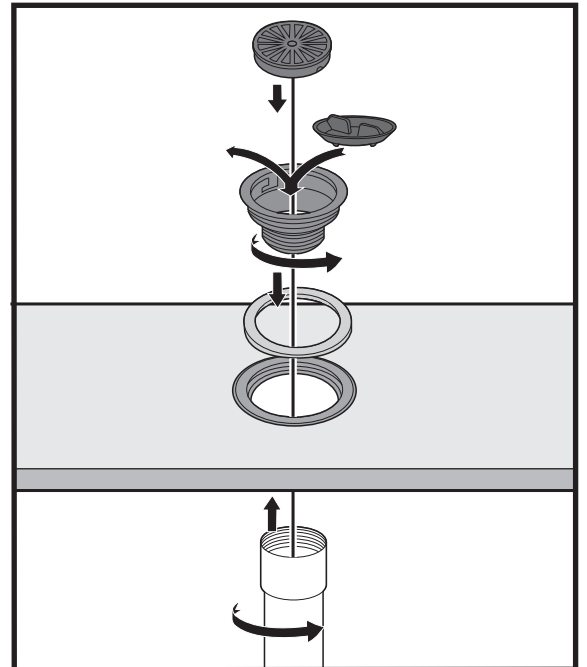


posh

Posh Solus Polymarble Shower Base

Shower Base Waste

- Install the shower waste as shown.



Cleaning

- The surface of this base will resist surface build-up. However to preserve it's high lustre it may be cleaned with a soft cloth using warm soapy water or mild household detergent.

Do not use any form of abrasive cleaner.

- If accidental abrasion occurs the surface sheen can be restored by polishing with a silicone based polish.

Warranty

- Posh Solus shower bases are made of solid synthetic polymarble. Shower bases are guaranteed for 7 years against faulty materials or workmanship, subject to warranty terms and conditions.
- **Warning:** Warranty will be void if:
 - The installation instructions are not adhered to.
 - The base is subject to water at a temperature exceeding 55°C.

Storage

- Shower bases can distort if not stored correctly. If not installed immediately the base must be stored flat, top side up and not leaning on the waste outlet. Do not place objects on the base during storage. Distortion due to incorrect storage is not covered by warranty.

Care Details

We recommend the use of soapy water or approved cleaners. This product should not be cleaned with abrasive materials. Damage caused by any improper treatment is not covered by the product warranty - refer to Warranty Conditions.

Plumbers, please ensure a copy of the installation instruction is left with the end user for future reference.

