

Hideaway+ Rectangle Button / Plate Inwall Metal Brushed Nickel

1804858

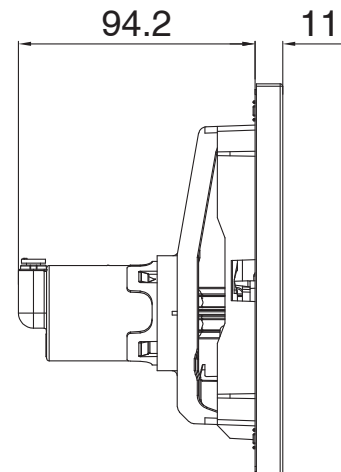
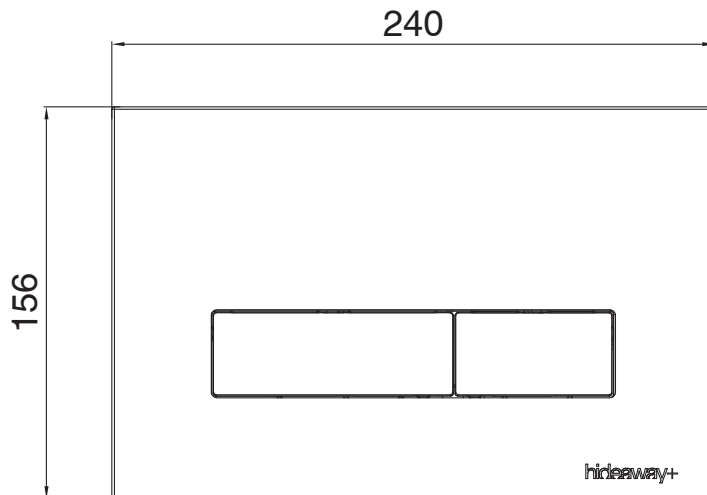
SPECIFICATIONS

Recommended Use	Domestic, Hotel & Commercial
Colour	Brushed Nickel
Plating Method	PVD
Material	Stainless Steel
Backing Material	ABS Plastic
Button Material	Stainless Steel
Toilet Button Type	Dual Flush
Button Shape	Rectangle Button
Application	Inwall

WARRANTY

Warranty - Domestic Use	12 Months
Spare Parts & Labour	12 Months

Please refer to Warranty Page for full Terms and Conditions



Dimensions are nominal measurements only.

CLEANING RECOMMENDATIONS:

We recommend the use of soapy water or approved cleaners. This product should not be cleaned with abrasive materials. Damage caused by any improper treatment is not covered by the product warranty. Refer to Warranty Conditions

Disclaimer: Products in this specification manual must by regulation be installed by licensed and registered trade people. The manufacturer/distributor reserves the right to vary specifications or delete models from their range without prior notification. Dimensions are nominal measurements only. Dimensions and set-outs listed are correct at time of publication however the manufacturer/distributor takes no responsibility for printing errors.

Published 20/04/2023

To see the complete Hideaway range go to www.reece.com.au/bathrooms

