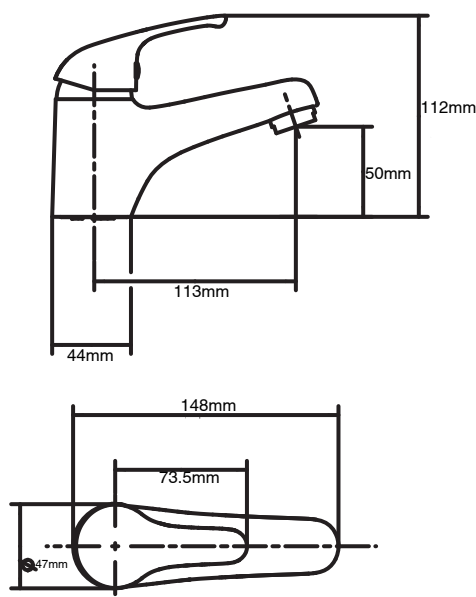


# POSH

## BRISTOL BASIN MIXER



### SPECIFICATIONS

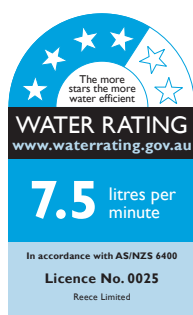
<b>Recommended use</b>	Domestic, hotel and commercial.
<b>Colour availability</b>	Chrome.
<b>Pressure rating</b>	Min. operating pressure : 150 KPA Max. operating pressure : 750KPA Note: For best performance and longer life we recommend the operating pressure to be under 500 kpa
<b>Temperature rating</b>	Min. hot water temperature : 20 degree Max. hot water temperature: 80 degree Note: For longer life we recommend the maximum hot water temperature to be under 65 degree.
<b>WELS</b>	Stars: 4 Flow rate: 7.5 L/min
<b>Suitable Hot Water Units</b>	Storage tank: Yes Continuous Flow: Yes Gravity Feed: Not recommended
<b>Standards</b>	AS 3718



To see the complete Posh range go to [www.reece.com.au/bathrooms](http://www.reece.com.au/bathrooms)

### CLEANING RECOMMENDATIONS

This bathroom product should not be cleaned with abrasive materials eg. steel wool/scourers. Do not use any corrosive or abrasive cleaning agents containing acids or scouring agents. Bleaches can also discolour products and therefore should not be used. Damage caused by any improper treatment is not covered by the product warranty- refer to Warranty Conditions on the last page.



**Disclaimer:** Products in this specification manual must by regulation be installed by licensed and registered trade people. The manufacturer/distributor reserves the right to vary specifications or delete models from their range without prior notification. Dimensions and set-outs listed are correct at time of publication however the manufacturer/distributor takes no responsibility for printing errors.

Tech Page Version 2

Posh



# POSH

## BRISTOL BASIN MIXER

### INSTALLATION INSTRUCTIONS

#### Note:

Mixer must be installed by a qualified plumber.

#### Important

Your mixer comes to you already factory assembled and tested. We do not recommend the dismantling of any internal part of the mixer. The mixers are factory tested and sealed so as to give the best performance.

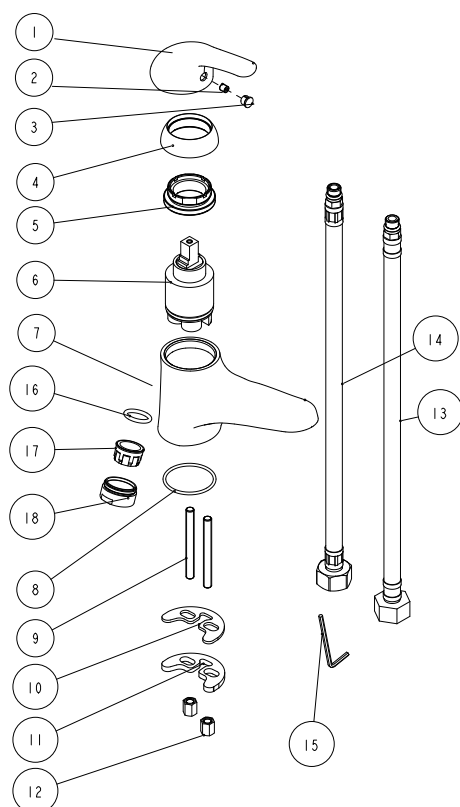
#### Installation Procedure

1. Please flush out new pipe work prior to connecting the new mixer.
2. All mixers should be installed with isolating stop cocks (Arco).
3. In some areas where the incoming water exceeds 500kpa, an approved pressure limiting device must be installed. Equal pressure for hot and cold water supply is required for this single lever mixer.
4. Mixers are recommended for use on mains pressure and instantaneous systems only.

5. Place the O-ring into position (8).
6. Fit the tap body (7) into the basin hole making sure first that the flexible hoses (13-14) are firmly tightened into base of the tap body (7).
7. Do not use teflon tape on threads.
8. From underneath apply your washer (10) prior to positioning the horse shoe plate (11) and hex nut (12).
9. Lock the mixer onto the sink by tightening the hex nut (12).
10. Clean aerator (10) at regular intervals, particularly if you notice a drop in pressure.

### SERVICING - REPLACEMENT OF CARTRIDGE

1. Remove indicator cap (3) and unscrew the grub screw (2).
2. Lift off lever (1) and remove dome and locking nut (4 & 5)
3. Lift out cartridge (6) and replace with new.



### EXPLODED VIEW

Item	Description
1.	Handle
2.	Grub screw
3.	Indicator cap
4.	Dome
5.	Locking nut
6.	Cartridge
7.	Tap Body
8.	O-ring
9.	Fixing Rod
10.	Washer
11.	Horse shoe plate
12.	Hex Nuts
13.	Flexible Hose
14.	Flexible Hose
15.	Allen Key
16.	O-ring
17.	Aerator
18.	Aerator

# POSH

## BRISTOL BASIN MIXER



### REECE PRODUCT QUALITY GUARANTEE

You have purchased a quality product from Reece Pty Ltd ABN 84 004 097 090 ("Reece"). This product is covered by a 7 year replacement product warranty and a 12 month warranty over spare parts and labour.

#### 7 YEAR WARRANTY – DOMESTIC USE

This warranty covers faults in the product construction, material and assembly. Products which are within 7 years from the date of purchase, found upon inspection by an authorised Reece representative, to be defective in construction, material or assembly, will be repaired or exchanged with an equivalent product free of charge. Replaced items become Reece's property. This warranty also covers any spare parts included under "Manufacturer's Provisions" below.

All replacement products will be available for collection without charge to the customer at the nearest Reece branch to the customer's location, or elsewhere as agreed between the customer and Reece.

#### Labour and Spare Parts

The labour for the replacement of products and spare parts to which this warranty applies will be supplied by Reece or relevant supplier using licensed plumbers engaged by Reece or relevant supplier within 1 year from the date of purchase.

Spare parts other than those listed in the Manufacturer's Provisions above, which are within 1 year from the date of purchase found upon inspection by an authorised Reece representative to be defective in construction, material or assembly, will be replaced free of charge.

#### Warranty Conditions

This warranty will apply only under all of the following conditions:

- The item has been installed by a licensed plumber
- The item has been installed for and subjected to domestic residential use only
- Failure is due to a fault in the manufacture of the product
- Proof of purchase (including the date of purchase) is provided
- The installation of the product is in accordance with the instructions provided

This warranty does not cover products purchased as an ex-display without being fully checked and tested for sale by the manufacturer.

This warranty does not include faults caused by:

- Unsuitable or improper use
- Incorrect installation or installation not in accordance with the instructions provided
- Installation or part installation by the purchaser or any person other than a LICENSED PLUMBER
- Normal wear and tear
- Inadequate or complete lack of maintenance
- Chemical, electrochemical or electrical influences
- Harsh detergents or abrasive cleaners used on product finishes

#### 1 YEAR WARRANTY – COMMERCIAL USE

'Commercial' use is all use other than for normal domestic residential purposes, including use in non-business places as in public buildings, schools, sports centres and in establishments that contain private bathrooms with high frequency of use by many individuals, such as hotels, motels, retirement villages and hospitals.

The Commercial warranty covers this product against manufacturing faults in the construction, material and assembly of both the finished products and any spare parts for a period of 1 year from the date of purchase. Products and spare parts which are found upon inspection by an authorised Reece representative to be defective in construction, material or assembly will be repaired or exchanged free of charge. Replaced items become Reece's property. The labour for the replacement of products and spare parts to which this warranty applies will be supplied by Reece or relevant supplier using licensed plumbers engaged by Reece or relevant supplier. The Warranty Conditions and exclusions which apply to the domestic use warranty also apply to this commercial warranty.

#### EXCLUSIONS

To the fullest extent permitted by law, Reece excludes all liability for damage or injury to any person, damage to any property, and any indirect consequential or other loss or damage.

#### CLAIM PROCEDURE

For all warranty queries customers are to contact the branch where the product was purchased. These details can be found on your purchase invoice.

Our goods come with guarantees that cannot be excluded under the Australian Consumer Law. You are entitled to a replacement or refund for a major failure and for compensation for any other reasonably foreseeable loss or damage. You are also entitled to have the goods repaired or replaced if the goods fail to be of acceptable quality and the failure does not amount to a major failure.