

## Venice 450 Basin Solid Surface White

### VENICE BASIN INSTALLATION INSTRUCTIONS

**NO claims for damages / defects will be recognised after installation.**

**Prior to installation it is important to unpack and inspect your products to ensure no damage has occurred in transit and that the product IS CORRECT.**

**If damage has occurred, or a visible defect exists, do not proceed with installation and contact supplier IMMEDIATELY.**

**Step 1.** Prepare bench top surface and make sure it's clean and dry. Ensure cut out suits basin. See figure 1.

**Step 2.** Apply a neat generous bead of adhesive silicone sealant around the base flat of basin. See figure 2.

**Step 3.** Immediately place the basin on to the cabinet the right way up with the waste centred over the waste cut out.

**Step 4.** Once plumbing and trap are in position, place waste through the basin. With seals in place, hand-tighten lock nut to secure waste in basin. See figure 3.

**Step 5.** Clean excess silicon around base of basin and leave to dry, following silicone instructions.

Note: Bottle trap is not included with basin

Figure 1.

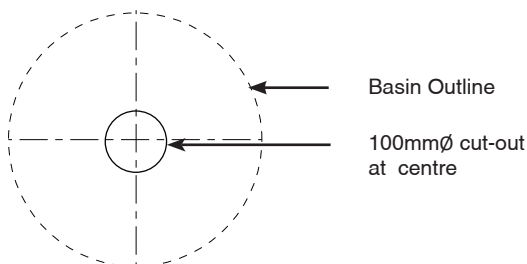


Figure 2.

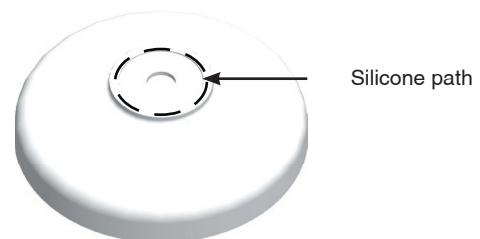
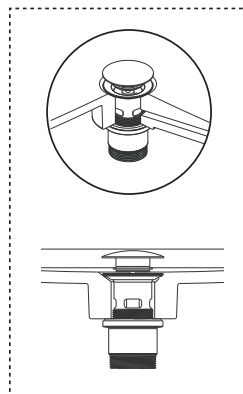
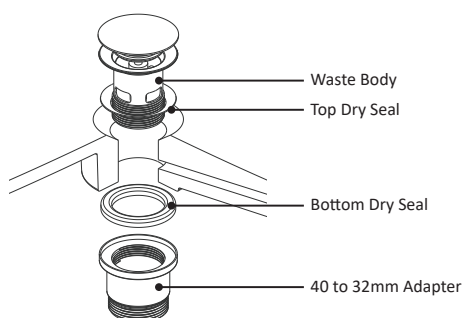


Figure 3.

\*Pop up plug and waste is indicative



Note: Drawings are only indicative

**Plumbers, please ensure a copy of the installation instructions is left with the end user for future reference**

## Venice 450 Basin Solid Surface White

### DETAILED CLEANING INSTRUCTIONS

Regular cleaning will assist to keep your solid surface looking fantastic and reduce wear and dirt build up. Spills should be cleaned promptly. Clean with a mild detergent or soapy water and a soft cloth, sponge or non scratch scourer\*.

For stubborn marks start with the non-scratch scourer and a mild detergent, if required use a diluted very mild abrasive cleaner\* cleaning in light circular motions.

Intense clean/repair: For extreme marks and light scratches a very light buff in circular motions using the finest grade sand/glass paper will restore the surface. A heavier grade of sandpaper will scratch the surface which can be removed by then using a light sand paper. Avoid applying excessive pressure or clean/rub the same area for a prolonged time unless repairing a scratch or damage.

\*Always test 'non scratch' and 'mild abrasive' products in a non-conspicuous area first to ensure suitability as brands can differ.

Important notes: If the product is created from a combination of Solid surface and another material such as glass or Softskin, it is important that the cleaning instructions for Solid surface are not carried out on the alternate material. Damage may occur which will void your warranty.

To maintain a uniform appearance, you may need to clean the entire surface. Never use sharp products such as steel wool or aggressive, commercial grade / strong cleaners or chemicals (e.g. acetone, trichloroethylene, acids, and caustic soda) as these may damage and scratch the surface. For best results always finish by wiping surface clean of all detergents and dry with a soft clean cloth.