

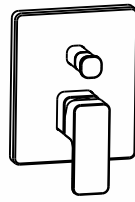
To ensure that your installation proceeds smoothly,
please read this instructions carefully before you begin.

American Standard

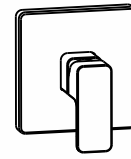
CYGNET

FFAS1321-608500ZNO
CYGNET SHOWER MIXER W/DIV TRIMSET CP

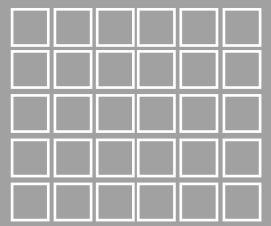
FFAS1322-708500ZNO
CYGNET SHOWER MIXER TRIMSET CP



FFAS1321-608500ZNO



FFAS1322-708500ZNO

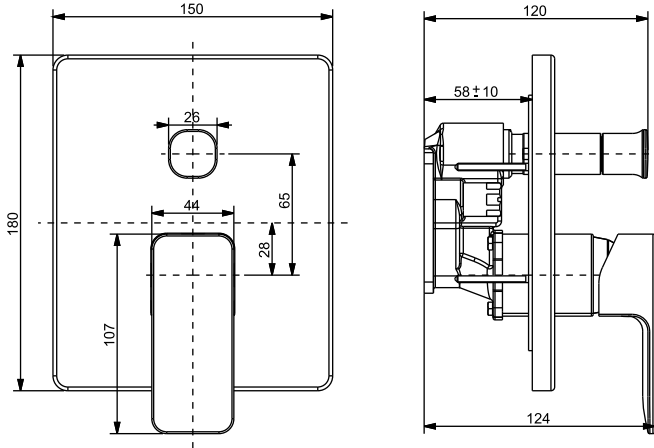


Installation &
Operation Instruction

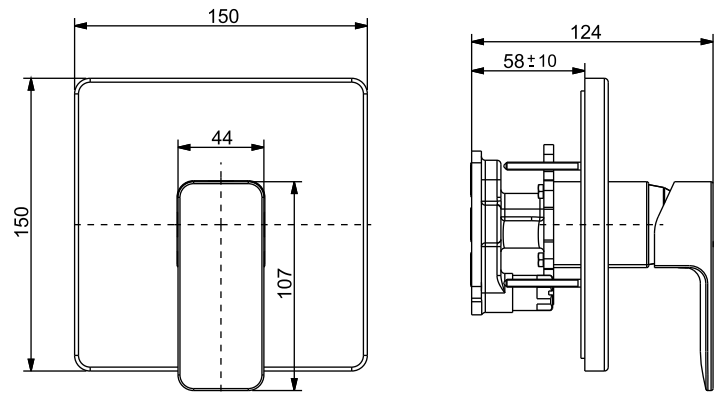
Dimension

Unit: mm

FFAS1321-608500ZNO



FFAS1322-708500ZNO

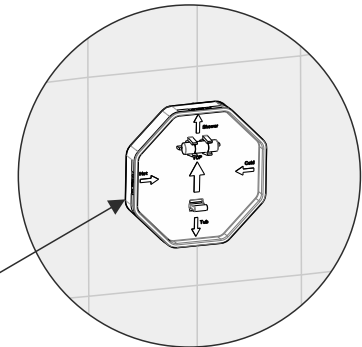


Installation

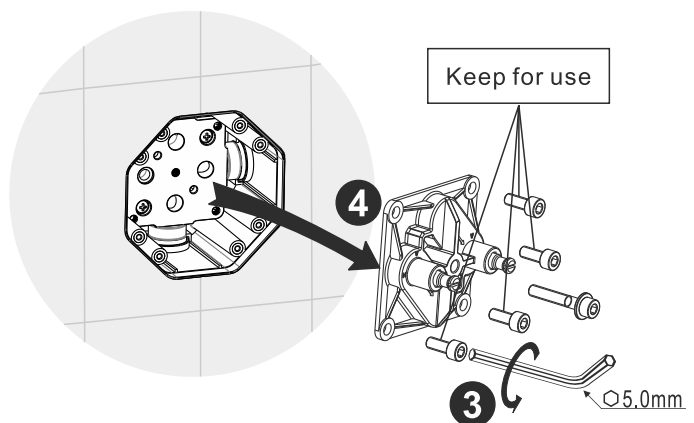
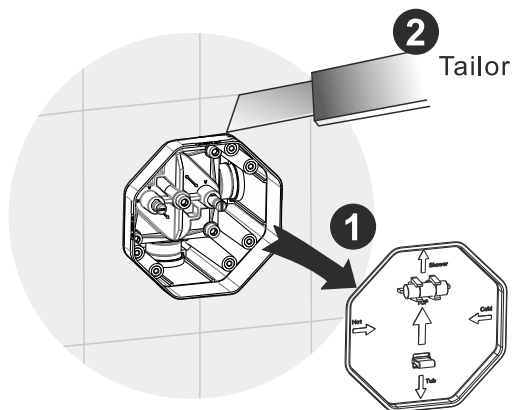
1 Preparation

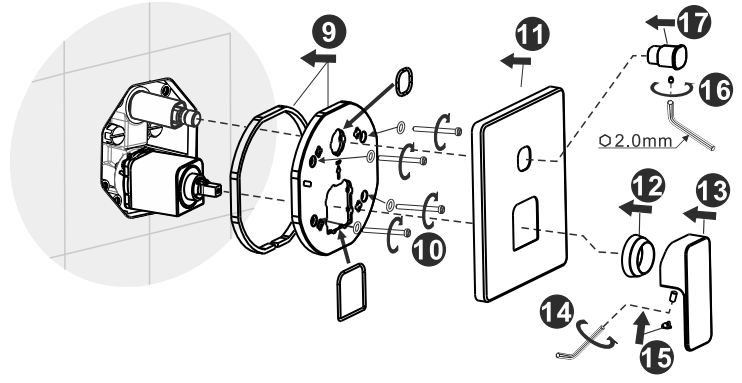
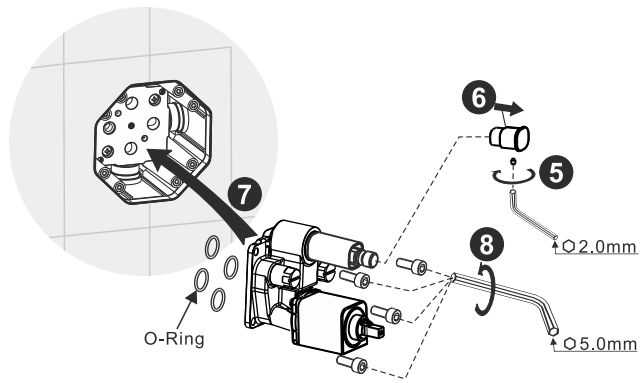
The product must use with "FFAS0625-000990ZNO" AS Universal Installation Box, It's installation please refer to related user manual.

Before installation, Please confirm that you have correctly installed the "A/Std Universal Inwall Body", and shut off the water supply



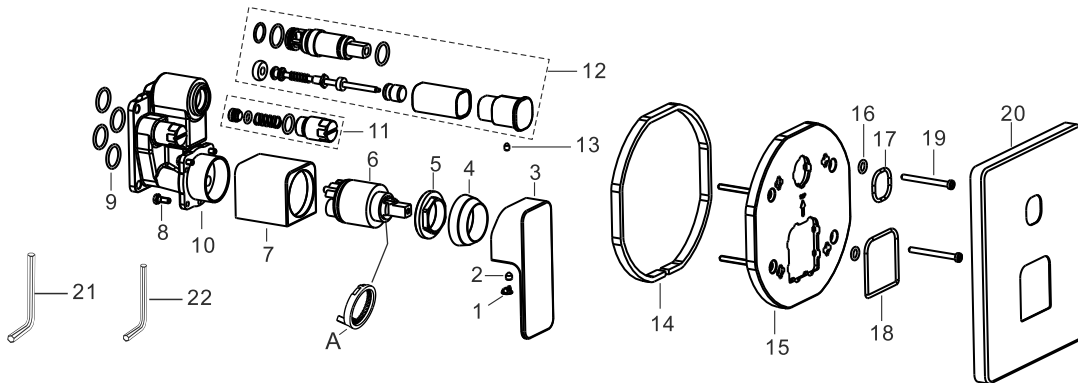
2 Installing the Control Valve and Escutcheon and Handle





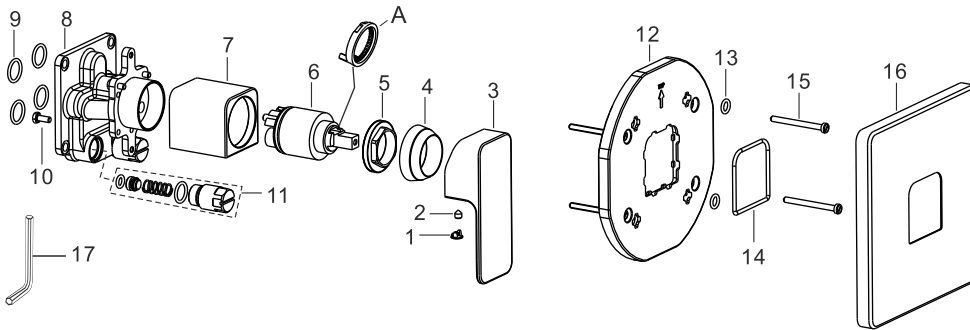
Parts List

FFAS1321-608500ZNO



No.	Part Name	Q'ty
1	Index Button	1
2	Screw	1
3	Handle	1
4	Cap	1
5	Nut	1
6	Cartridge	1
7	Bushing	1
8	Screw	4
9	O-Ring	4
10	Body	1
11	Safety device	2
12	Switching valve	1
13	Screw	1
14	Washer	1
15	Dead plate	1
16	O-Ring	4
17	Washer	1
18	Washer	1
19	Screw	4
20	Escutcheon	1
21	In-hex Wrench(2.5mm)	1
22	In-hex Wrench(2.0mm)	1
A	Temperature limiter	1

FFAS1322-708500ZNO



No.	Part Name	Q'ty
1	Index Button	1
2	Screw	1
3	Handle	1
4	Cap	1
5	Nut	1
6	Cartridge	1
7	Bushing	1
8	Body	1
9	O-Ring	4
10	screw	4
11	Safety device	2
12	Dead plate	1
13	O-Ring	4
14	Washer	1
15	Screw	4
16	Escutcheon	1
17	In-hex Wrench(2.5mm)	1
A	Temperature limiter	1

Notice

- *Remove all impurity in pipes before beginning to avoid clogging. Connect faucet pipes correctly.
- * Check installation distances in the Dimension diagram to ensure correct installation.

Conditions for use

- * Recommended water pressure condition: (Dynamic Pressure): 0.1Mpa-0.5Mpa (When exceed 0.5MPa, it is strongly advised to fit pressure limiting valve)
- * Environment Temperature:1-55°C
- * Water temperature: 4 ~ 90°C, Recommended hot water temperature 55°C ~ 65°C
- * Steam is not allowed to use.
- * The cold and hot water pipes must not be reserved.

AUS

Reece Australia Pty Ltd
118 Burwood Hwy
Burwood VIC 3125

Tel.: 1800 080 055

Email: customercare@reece.com.au



NZ

Robertson
25 Vestey Drive
Mt Wellington, Auckland

Tel.: +64 9 5730490

Email: sales@robertson.co.nz