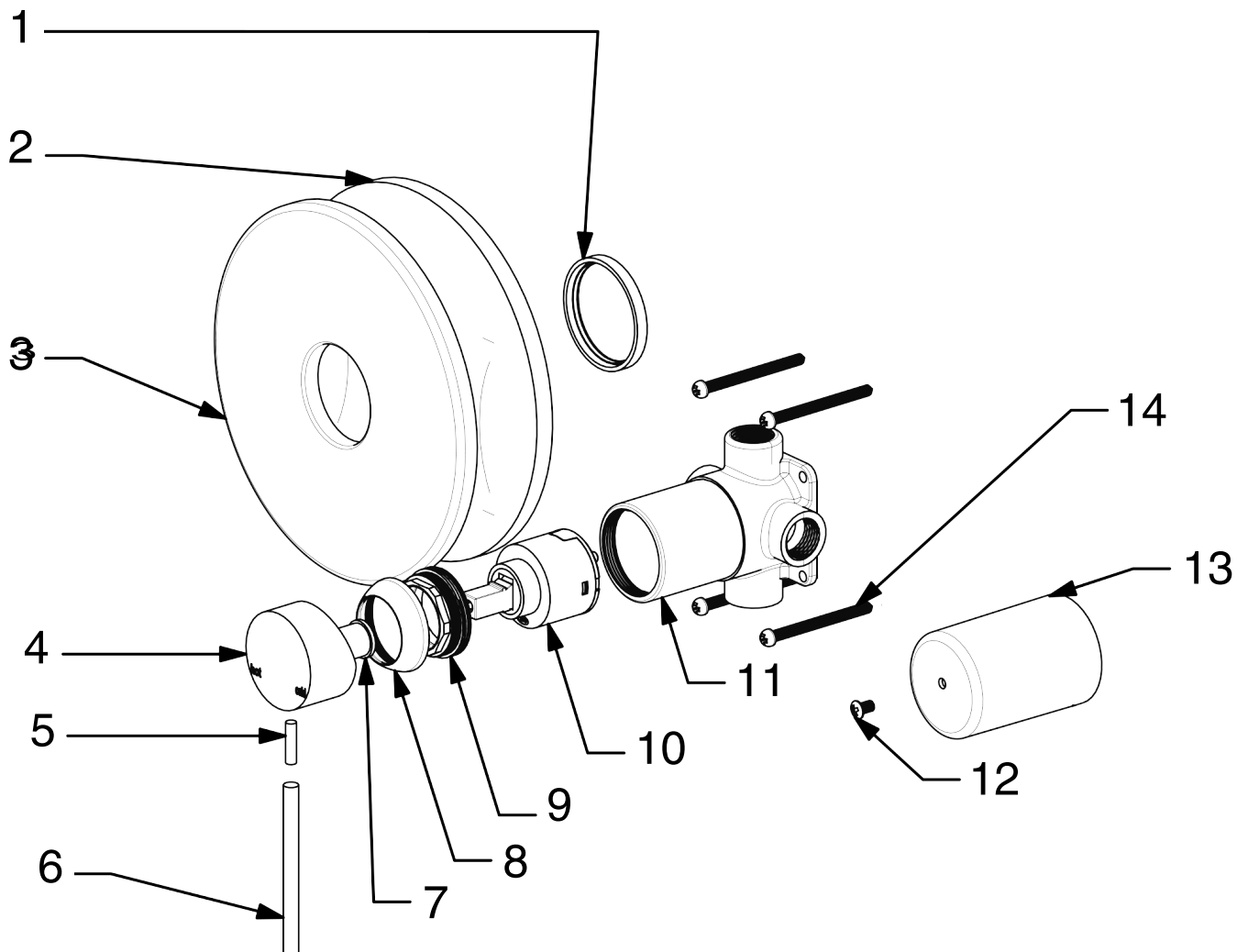


Milli

Milli Inox Shower Mixer



Number	Part
1	Rubber Sealing Ring
2	EVA Filler Piece
3	Wall Plate
4	Cap of Handle
5	Inner Hexagon Screw
6	Handle
7	Plastic Cover of Cartridge
8	Dress Ring
9	Retaining Nut
10	Cartridge
11	Body
12	Screw
13	Cover
14	Mounting Screw