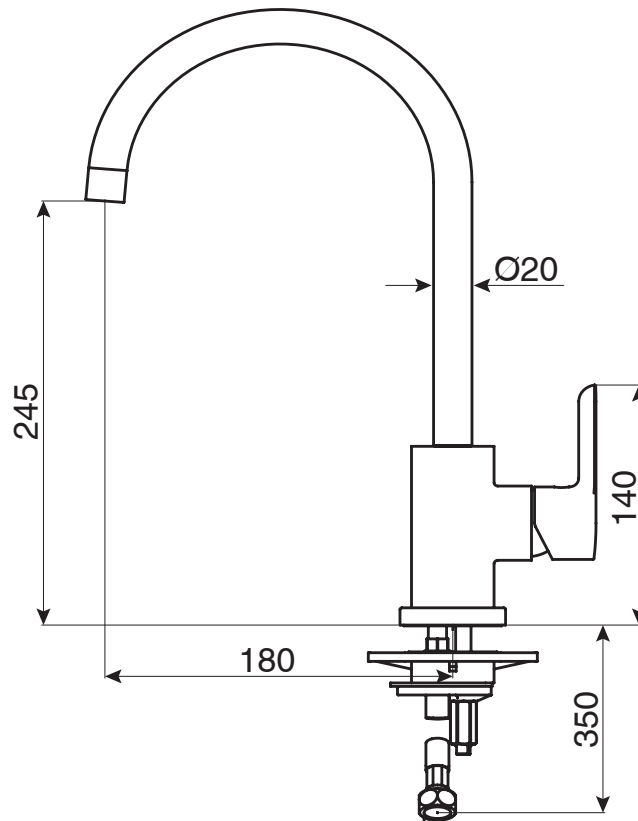


Nobili Balance Gooseneck Sink Mixer Chrome (4 Star)



SPECIFICATIONS

Recommended use	Domestic, hotel and commercial
Colour availability	Chrome
Pressure rating	Maximum continuous operating pressure 1000kPa. For best performance and longer life we recommend 150-500kPa. Hot and cold water inlet pressure should be equal.
Temperature rating	Maximum continuous working temperature 80°C
Suitable Hot Water Units	Storage tank: Yes Continuous Flow: Yes Gravity Feed: Not suitable
Water Efficiency	4 star, 7.5 L/min
Standards	AS/NZS 3718

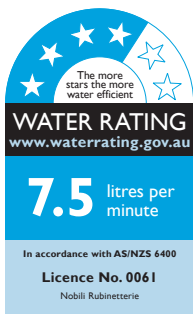


CLEANING RECOMMENDATIONS

We recommend the use of soapy water or approved cleaners.

This product should not be cleaned with abrasive materials.

Damage caused by any improper treatment is not covered by the product warranty - Refer to Warranty Conditions.



Disclaimer: Products in this specification manual must by regulation be installed by licensed and registered trade people. The manufacturer/distributor reserves the right to vary specifications or delete models from their range without prior notification. Dimensions are nominal measurements only. Dimensions and set-outs listed are correct at time of publication however the manufacturer/distributor takes no responsibility for printing errors.

Tech Page Version 6

Nobili Balance Gooseneck Sink Mixer Chrome (4 Star)

INSTALLATION INSTRUCTIONS

Important Note

Mixer must be installed to the requirements of AS/NZS 3500 by a qualified plumber. Your mixer come to you already factory assembled and tested. We do not recommend the dismantling on any internal part of the mixer. The mixers are factory tested to give the best performance

SERVICING—Must be carried out by a licenced plumber

INSTALLATION PROCEDURE

1. Please flush out new pipe work prior to connecting the new mixer.
2. All mixers should be installed with isolating stop cocks (Arco).
3. In some areas where the incoming water exceeds 500kpa, an approved pressure limiting device must be installed. Equal pressure for hot and cold water supply is required for this single lever mixer.
4. Mixers are recommended for use on mains pressure and instantaneous systems only.
5. Place the dress ring (16)& washer (17) into position onto body (8).
6. Ensure that the flexible hoses (24) are firmly tightened into base of the tap body (8).
7. Lock the mixer onto the basin by tightening the nut (23) against the horse shoe plate (22), and against the fixing plate (20).
8. Connect the flexible hoses to the hot and cold isolating stops, hand tighten plus half a turn of the nut to provide a watertight joint. Ensure that the hoses are not under tension, twisted or kinked and if bent have a minimum radius of 30mm.
9. Check for leaks.

EXPLODED VIEW

Item	Description	Code
1	Indicator Button	
2	Grub Screw	
3	Handle	
4	Dome	
5	Locking nut	
6	Thermal Cap	
7	Cartridge	
8	Body	
9	Grub Screw	
10-13	Outlet and Connections	
14-15	Aerator	
16	Dress Ring	
17	Washer	
18	Fixing Rod	
19	Washer	
20	Fixing Plate	
21	Rubber Horse Shoe Gasket	
22	Horse Shoe Plate	
23	Fixing Nut	
24	Flexible Hoses	

