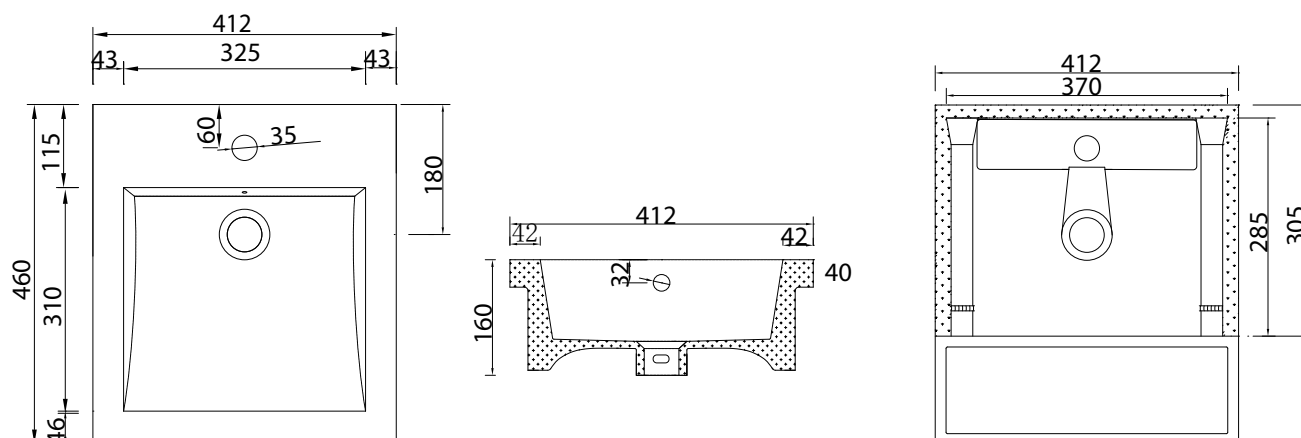


Kado Lux 410mm x 460mm Semi Recessed Basin

INSTALLATION INSTRUCTIONS

1. Cut out bench top as per template supplied.
2. Fit selected tapware and waste to basin.
3. Apply waterproof sealant to rim of basin.
4. Locate basin complete with fittings onto bench top and press firmly all around.
5. Remove excess sealant.



Dimensions are nominal measurements only.

Plumbers, please ensure a copy of the installation instructions is left with the end user for future reference

Published 21/07/2020