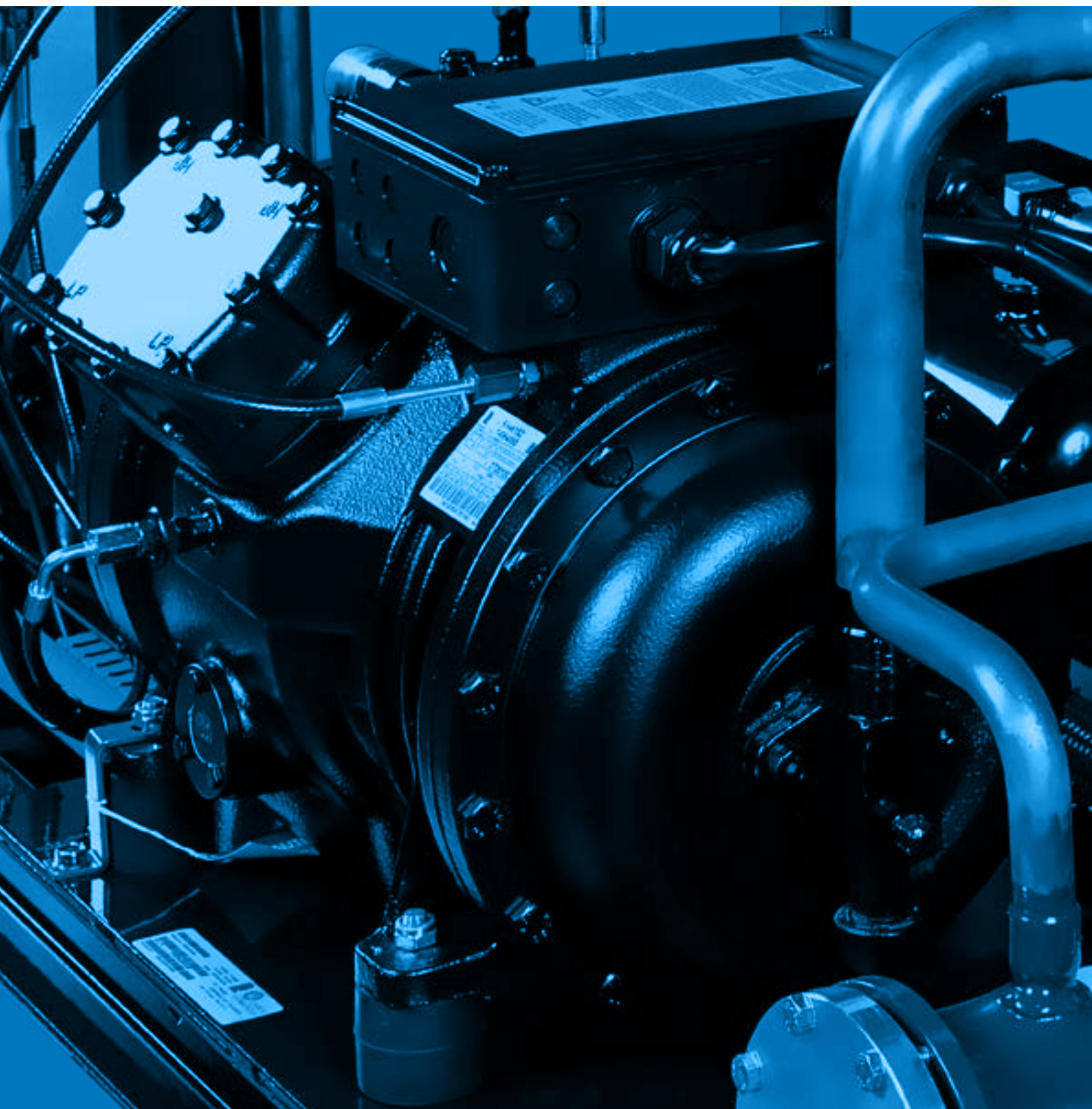


Tecumseh SHR Receiver Units



Tecumseh



Enjoy the Tecumseh Advantage

As a leading global manufacturer of hermetic compressors and condensing units, Tecumseh products touch the lives of millions every day. Innovative, durable and highly efficient, we continue to set the standard that others follow.



Focus

Continually investing in research & engineering development.



Innovation

Leading the way with improved product efficiency and service.



Performance

Proven quality and guaranteed performance.



Commitment

To the highest levels of technical and application support.

Contents

- 04 – Nomenclature
- 05 – SHR Receiver Units
- 06 – Selection Data

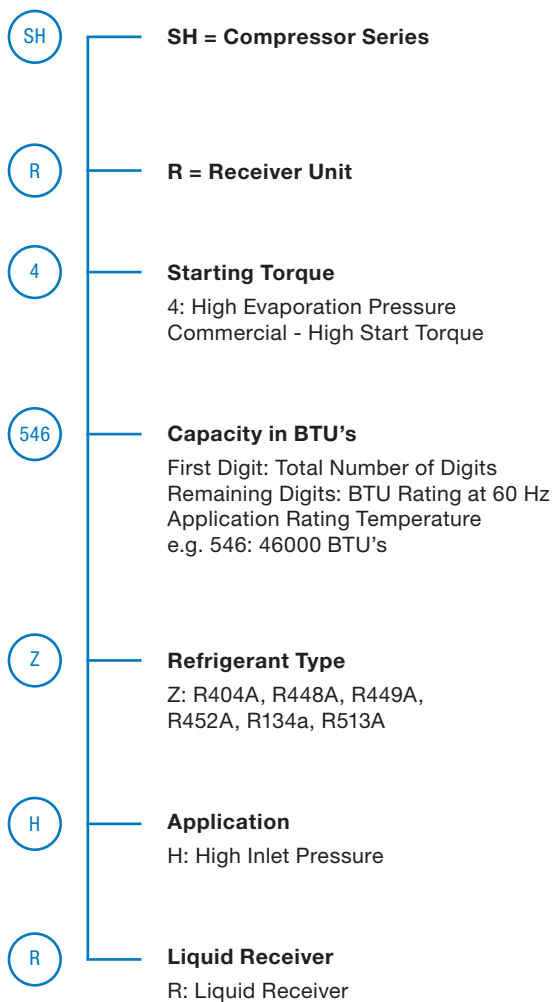
Capacity Data

- 08 – R404A
- 10 – R448A
- 12 – R449A
- 14 – R452A
- 16 – R134a
- 18 – R513A

Nomenclature

SHR Receiver Units

Example - Model SHR4546ZHR

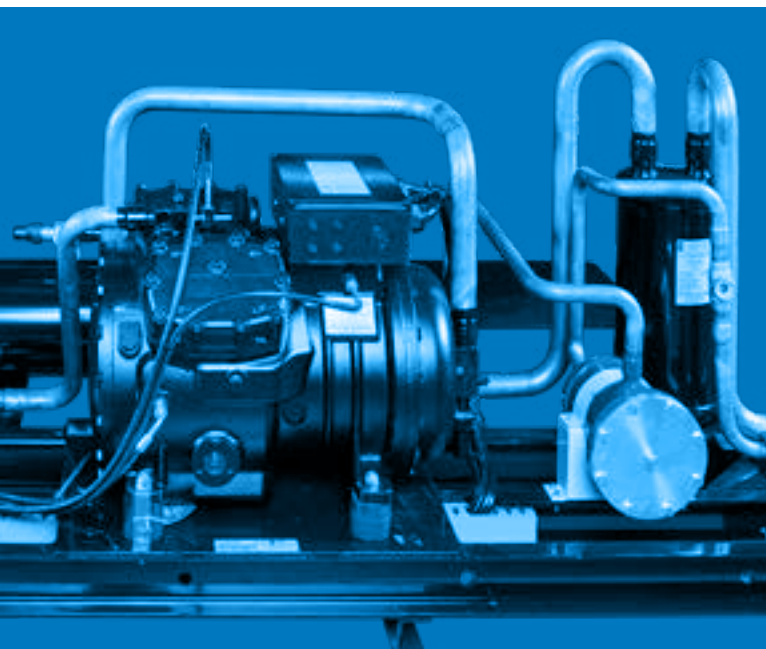


SHR Series

Tecumseh SHR Receiver units provide a fully fitted, robust refrigeration solution designed with generous space to allow for the addition of a condenser. The range is compatible with R404A, R134a and HFC/HFO blend alternatives R448A, R449A, R452A and R513A.

This series is compatible with a wide range air and water cooled condensers.

Speak to your local branch for a suitable condenser selection to match your SHR unit.



Features:

- Fully Wired including circuit breakers, contactor, electronic overload in an enclosure
- Tecumseh Semi Hermetic compressor
- Generous Configuration
- Reservoir oil separator on SHR4648ZHR and SHR4661ZHR models
- Internal float oil separator on all other models
- Kriwan INT 280 Oil level control on SHR4648Z and SHR4661ZHR
- Suction accumulator on all models
- Liquid receiver
- HP/LP control on all models
- Crankcase heater on all models

2.0kW — 101kW

Selection Data

| Product Code | Model | Compressor | | | | Liquid Receiver Capacity kg @ 80% | Line Size inches | | Nett Weight kg | Sound Power Level dBA |
|--------------|------------|----------------|---------------------------------|----------|-------------|-----------------------------------|------------------|--------|----------------|-----------------------|
| | | Tecumseh Model | Displacement m ³ /hr | MOC Amps | Volts/Phase | | Suction | Liquid | | |
| | | | | | | | | | | |
| 3508077 | SHR4521ZHR | SH4521ZYZ | 5.47 | 3.6 | 400V/50Hz/3 | 6.0 | 5/8" | 1/2" | 74 | 63.5 |
| 3508078 | SHR4526ZHR | SH4526ZYZ | 6.91 | 4.5 | 400V/50Hz/3 | 6.0 | 5/8" | 1/2" | 75 | 64.5 |
| 3508079 | SHR4536ZHR | SH4536ZYZ | 9.88 | 6.7 | 400V/50Hz/3 | 6.0 | 7/8" | 1/2" | 85 | 66.5 |
| 3508080 | SHR4550ZHR | SH4550ZYZ | 13.15 | 8.8 | 400V/50Hz/3 | 9.5 | 1 1/8" | 1/2" | 92 | 66.5 |
| 3508081 | SHR4564ZHR | SH4564ZYZ | 16.40 | 11.6 | 400V/50Hz/3 | 9.5 | 1 1/8" | 1/2" | 92 | 67 |
| 3508082 | SHR4576ZHR | SH4576ZYZ | 21.18 | 11.6 | 400V/50Hz/3 | 12.0 | 1 1/8" | 5/8" | 181 | 70 |
| 3508083 | SHR4591ZHR | SH4591ZYZ | 24.69 | 12.7 | 400V/50Hz/3 | 12.0 | 1 1/8" | 5/8" | 182 | 70 |
| 3508084 | SHR4610ZHR | SH4610ZYZ | 28.02 | 17.6 | 400V/50Hz/3 | 12.0 | 1 3/8" | 5/8" | 190 | 72 |
| 3508085 | SHR4612ZHR | SH4612ZYZ | 32.66 | 20.0 | 400V/50Hz/3 | 12.0 | 1 3/8" | 5/8" | 191 | 73 |
| 3508086 | SHR4615ZHR | SH4615ZMZ | 41.32 | 22.4 | 400V/50Hz/3 | 17.2 | 1 3/8" | 7/8" | 298 | 75 |
| 3508087 | SHR4620ZHR | SH4620ZMZ | 51.50 | 32.4 | 400V/50Hz/3 | 17.2 | 1 5/8" | 7/8" | 298 | 77 |
| 3508088 | SHR4623ZHR | SH4623ZMZ | 58.48 | 35.3 | 400V/50Hz/3 | 17.2 | 1 5/8" | 1 1/8" | 379 | 78 |
| 3508089 | SHR4627ZHR | SH4627ZMZ | 70.77 | 43.5 | 400V/50Hz/3 | 17.2 | 2 1/8" | 1 1/8" | 390 | 78 |
| 3508090 | SHR4632ZHR | SH4632ZMZ | 83.81 | 49.2 | 400V/50Hz/3 | 25.0 | 2 1/8" | 1 1/8" | 406 | 81 |
| 3509096 | SHR4636ZHR | SH4636ZMZ | 93.05 | 53.1 | 400V/50Hz/3 | 25.0 | 2 1/8" | 1 1/8" | 408 | 81 |
| 3508091 | SHR4639ZHR | SH4639ZMZ | 102.86 | 61.0 | 400V/50Hz/3 | 25.0 | 2 1/8" | 1 1/8" | 412 | 81 |
| 3509097 | SHR4641ZHR | SH4641ZMZ | 106.16 | 60.2 | 400V/50Hz/3 | 25.0 | 2 1/8" | 1 1/8" | 430 | 82 |
| 3509098 | SHR4648ZHR | SH4648ZMZ | 125.72 | 71.9 | 400V/50Hz/3 | 25.0 | 2 5/8" | 1 3/8" | 478 | 84 |
| 3509099 | SHR4661ZHR | SH4661ZMZ | 154.38 | 90.4 | 400V/50Hz/3 | 25.0 | 2 5/8" | 1 3/8" | 485 | 84 |

Unit Dimensions

Click the model links below to see more online

| Product Code | Model | Dimensions | | |
|--------------|----------------------------|------------|------|------|
| | | L mm | W mm | H mm |
| 3508077 | SHR4521ZHR | 974 | 590 | 525 |
| 3508078 | SHR4526ZHR | 974 | 590 | 525 |
| 3508079 | SHR4536ZHR | 974 | 590 | 525 |
| 3508080 | SHR4550ZHR | 1060 | 690 | 590 |
| 3508081 | SHR4564ZHR | 1060 | 690 | 590 |
| 3508082 | SHR4576ZHR | 1600 | 890 | 746 |
| 3508083 | SHR4591ZHR | 1600 | 890 | 746 |
| 3508084 | SHR4610ZHR | 1600 | 890 | 746 |
| 3508085 | SHR4612ZHR | 1600 | 890 | 746 |
| 3508086 | SHR4615ZHR | 1880 | 1120 | 667 |

| Product Code | Model | Dimensions | | |
|--------------|----------------------------|------------|------|------|
| | | L mm | W mm | H mm |
| 3508087 | SHR4620ZHR | 1880 | 1120 | 841 |
| 3508088 | SHR4623ZHR | 1880 | 1128 | 841 |
| 3508089 | SHR4627ZHR | 1880 | 1128 | 917 |
| 3508090 | SHR4632ZHR | 1880 | 1128 | 917 |
| 3509096 | SHR4636ZHR | 1880 | 1128 | 898 |
| 3508091 | SHR4639ZHR | 1880 | 1128 | 917 |
| 3509097 | SHR4641ZHR | 1880 | 1153 | 898 |
| 3509098 | SHR4648ZHR | 1880 | 1340 | 1197 |
| 3509099 | SHR4661ZHR | 1880 | 1340 | 1197 |

SHR Model and Dimensional Drawing

Code: 3508087

Model: SHR4620ZHR



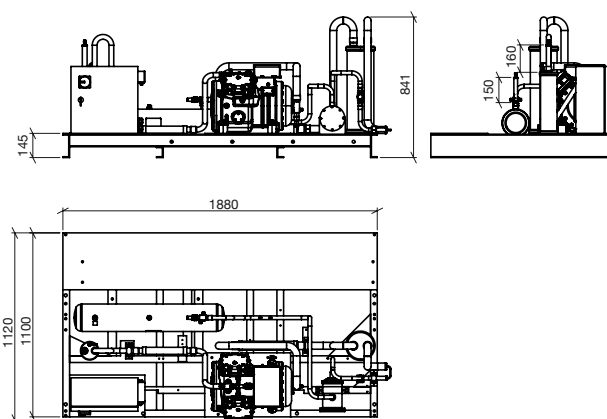
Left Angle View



Front View



Right Angle View



Dimensional Drawing

Semi-hermetic Compressors

The SH semi hermetic compressor from Tecumseh has a proven reputation for performance and reliability in refrigeration. Manufactured in Italy the SH compressors are both quiet and energy efficient.

Features:

- Single stage compressors with 2, 4 or 6 cylinder models
- Suitable for low, medium and high temperature applications
- All models can be operated with frequency inverters
- Built-in splash disc lubrication system on SH4512ZYZ to SH4620ZMZ models
- Forced lubrication system on larger SH4623ZMZ to SH4661ZMZ models which have an in built oil pump and a Kriwan INT250 oil pressure differential switch
- All models charged with POE oil (lubrication)
- All models fitted with Kriwan protection module of either INT69, INT69 Diagnose or INT69 TML Diagnose depending on the model



Capacity and Power Data

R404A

Low / Medium / High Temperature Applications

| Product Code | Model | Condensing temp: °C | Capacity & Power | Saturated Suction Temperature: °C | | | | | | | | | | |
|--------------|------------|---------------------|------------------|-----------------------------------|------|-------|-------|-------|-------|-------|-------|-------|-------|----|
| | | | | -40 | -35 | -30 | -25 | -20 | -15 | -10 | -5 | 0 | 5 | 10 |
| 3508077 | SHR4521ZHR | 30 | Q | 629 | 908 | 1264 | 1705 | 2235 | 2860 | 3586 | 4419 | 5364 | 6429 | - |
| | | | W | 570 | 656 | 746 | 836 | 921 | 995 | 1053 | 1090 | 1101 | 1082 | - |
| | | 40 | Q | 456 | 693 | 994 | 1364 | 1810 | 2336 | 2950 | 3656 | 4461 | 5371 | - |
| | | | W | 561 | 657 | 763 | 873 | 982 | 1085 | 1178 | 1255 | 1311 | 1341 | - |
| | | 50 | Q | - | 492 | 736 | 1036 | 1397 | 1824 | 2325 | 2904 | 3569 | 4324 | - |
| | | | W | - | 652 | 769 | 896 | 1027 | 1157 | 1282 | 1395 | 1492 | 1568 | - |
| 3508078 | SHR4526ZHR | 30 | Q | 889 | 1246 | 1694 | 2246 | 2914 | 3708 | 4640 | 5724 | 6969 | 8389 | - |
| | | | W | 720 | 826 | 936 | 1046 | 1152 | 1249 | 1334 | 1403 | 1452 | 1477 | - |
| | | 40 | Q | 719 | 1018 | 1391 | 1851 | 2410 | 3080 | 3872 | 4797 | 5869 | 7100 | - |
| | | | W | 725 | 843 | 968 | 1099 | 1231 | 1360 | 1482 | 1592 | 1688 | 1765 | - |
| | | 50 | Q | - | 778 | 1087 | 1466 | 1927 | 2481 | 3142 | 3922 | 4831 | 5884 | - |
| | | | W | - | 851 | 988 | 1136 | 1289 | 1445 | 1599 | 1747 | 1885 | 2009 | - |
| 3508079 | SHR4536ZHR | 30 | Q | 1342 | 1834 | 2442 | 3179 | 4060 | 5099 | 6311 | 7710 | 9311 | 11129 | - |
| | | | W | 1191 | 1354 | 1524 | 1695 | 1858 | 2007 | 2134 | 2231 | 2291 | 2307 | - |
| | | 40 | Q | 1107 | 1532 | 2050 | 2675 | 3422 | 4304 | 5336 | 6534 | 7913 | 9487 | - |
| | | | W | 1234 | 1405 | 1593 | 1791 | 1991 | 2185 | 2367 | 2529 | 2664 | 2763 | - |
| | | 50 | Q | - | 1272 | 1702 | 2217 | 2831 | 3559 | 4415 | 5415 | 6574 | 7907 | - |
| | | | W | - | 1468 | 1666 | 1884 | 2113 | 2346 | 2576 | 2795 | 2995 | 3171 | - |
| 3508080 | SHR4550ZHR | 30 | Q | - | - | 3359 | 4419 | 5668 | 7131 | 8833 | 10801 | 13061 | 15639 | - |
| | | | W | - | - | 1896 | 2119 | 2329 | 2518 | 2675 | 2793 | 2863 | 2876 | - |
| | | 40 | Q | - | - | 2739 | 3668 | 4744 | 5992 | 7439 | 9110 | 11033 | 13235 | - |
| | | | W | - | - | 1984 | 2247 | 2510 | 2763 | 2998 | 3206 | 3379 | 3507 | - |
| | | 50 | Q | - | - | 2190 | 2994 | 3903 | 4942 | 6139 | 7520 | 9112 | 10942 | - |
| | | | W | - | - | 2123 | 2415 | 2718 | 3024 | 3325 | 3611 | 3875 | 4107 | - |
| 3508081 | SHR4564ZHR | 30 | Q | - | - | 4314 | 5615 | 7155 | 8962 | 11064 | 13491 | 16273 | 19439 | - |
| | | | W | - | - | 2449 | 2756 | 3043 | 3300 | 3517 | 3684 | 3792 | 3830 | - |
| | | 40 | Q | - | - | 3606 | 4763 | 6113 | 7687 | 9514 | 11622 | 14042 | 16804 | - |
| | | | W | - | - | 2595 | 2966 | 3329 | 3672 | 3987 | 4264 | 4491 | 4660 | - |
| | | 50 | Q | - | - | 2945 | 3941 | 5086 | 6412 | 7947 | 9721 | 11764 | 14108 | - |
| | | | W | - | - | 2701 | 3132 | 3565 | 3990 | 4398 | 4778 | 5121 | 5416 | - |
| 3508082 | SHR4576ZHR | 30 | Q | - | - | 5106 | 6857 | 8896 | 11250 | 13946 | 17012 | 20477 | 24370 | - |
| | | | W | - | - | 2615 | 3036 | 3405 | 3712 | 3949 | 4109 | 4183 | 4163 | - |
| | | 40 | Q | - | - | 4046 | 5591 | 7365 | 9397 | 11714 | 14344 | 17316 | 20660 | - |
| | | | W | - | - | 2657 | 3190 | 3674 | 4100 | 4460 | 4748 | 4954 | 5070 | - |
| | | 50 | Q | - | - | 2968 | 4305 | 5814 | 7522 | 9458 | 11651 | 14130 | 16925 | - |
| | | | W | - | - | 2573 | 3212 | 3806 | 4347 | 4827 | 5238 | 5572 | 5820 | - |
| 3508083 | SHR4591ZHR | 30 | Q | 3477 | 4761 | 6330 | 8224 | 10488 | 13162 | 16289 | 19912 | 24076 | 28822 | - |
| | | | W | 2435 | 2884 | 3318 | 3728 | 4104 | 4437 | 4719 | 4940 | 5093 | 5166 | - |
| | | 40 | Q | 2669 | 3853 | 5247 | 6896 | 8842 | 11127 | 13794 | 16886 | 20448 | 24524 | - |
| | | | W | 2395 | 2930 | 3461 | 3981 | 4479 | 4947 | 5376 | 5756 | 6080 | 6338 | - |
| | | 50 | Q | - | 2926 | 4147 | 5550 | 7178 | 9073 | 11279 | 13841 | 16802 | 20208 | - |
| | | | W | - | 2866 | 3491 | 4117 | 4733 | 5331 | 5903 | 6439 | 6930 | 7367 | - |
| 3508084 | SHR4610ZHR | 30 | Q | - | - | 7462 | 9675 | 12291 | 15355 | 18915 | 23020 | 27716 | 33053 | - |
| | | | W | - | - | 3976 | 4443 | 4873 | 5262 | 5607 | 5904 | 6149 | 6339 | - |
| | | 40 | Q | - | - | 6233 | 8163 | 10419 | 13048 | 16100 | 19621 | 23660 | 28267 | - |
| | | | W | - | - | 4176 | 4746 | 5292 | 5808 | 6292 | 6740 | 7147 | 7511 | - |
| | | 50 | Q | - | - | 4973 | 6621 | 8520 | 10717 | 13261 | 16201 | 19587 | 23468 | - |
| | | | W | - | - | 4322 | 4993 | 5650 | 6290 | 6909 | 7503 | 8069 | 8604 | - |
| 3508085 | SHR4612ZHR | 30 | Q | - | - | 8772 | 11256 | 14220 | 17721 | 21816 | 26561 | 32014 | 38234 | - |
| | | | W | - | - | 4567 | 5079 | 5605 | 6117 | 6587 | 6989 | 7295 | 7478 | - |
| | | 40 | Q | - | - | 7298 | 9487 | 12060 | 15073 | 18583 | 22648 | 27326 | 32678 | - |
| | | | W | - | - | 4794 | 5400 | 6042 | 6693 | 7325 | 7911 | 8424 | 8837 | - |
| | | 50 | Q | - | - | 5820 | 7707 | 9880 | 12396 | 15314 | 18692 | 22589 | 27066 | - |
| | | | W | - | - | 5010 | 5694 | 6436 | 7209 | 7986 | 8740 | 9444 | 10070 | - |
| 3508086 | SHR4615ZHR | 30 | Q | - | - | 10390 | 13605 | 17418 | 21886 | 27066 | 33019 | 39802 | 47475 | - |
| | | | W | - | - | 4948 | 5641 | 6309 | 6935 | 7499 | 7982 | 8366 | 8630 | - |
| | | 40 | Q | - | - | 8372 | 11132 | 14412 | 18271 | 22766 | 27958 | 33906 | 40671 | - |
| | | | W | - | - | 5060 | 5901 | 6744 | 7570 | 8359 | 9094 | 9754 | 10321 | - |
| | | 50 | Q | - | - | 6438 | 8736 | 11476 | 14719 | 18524 | 22951 | 28061 | 33917 | - |
| | | | W | - | - | 5036 | 6009 | 7009 | 8017 | 9015 | 9984 | 10904 | 11756 | - |

| Product Code | Model | Condensing temp: °C | Capacity & Power | Saturated Suction Temperature: °C | | | | | | | | | | |
|--------------|------------|---------------------|------------------|-----------------------------------|-------|-------|-------|-------|-------|--------|--------|--------|--------|----|
| | | | | -40 | -35 | -30 | -25 | -20 | -15 | -10 | -5 | 0 | 5 | 10 |
| 3508087 | SHR4620ZHR | 30 | Q | 7922 | 11052 | 14553 | 18557 | 23197 | 28606 | 34917 | 42265 | 50785 | 60612 | - |
| | | | W | 5101 | 5872 | 6688 | 7513 | 8310 | 9043 | 9673 | 10165 | 10481 | 10585 | - |
| | | 40 | Q | 5656 | 8789 | 12125 | 15795 | 19933 | 24674 | 30152 | 36502 | 43862 | 52369 | - |
| | | | W | 5415 | 6265 | 7204 | 8194 | 9199 | 10181 | 11103 | 11930 | 12623 | 13146 | - |
| | | 50 | Q | - | 6392 | 9568 | 12908 | 16548 | 20623 | 25270 | 30626 | 36829 | 44021 | - |
| | | | W | - | 6528 | 7571 | 8709 | 9904 | 11118 | 12316 | 13460 | 14513 | 15438 | - |
| 3508088 | SHR4623ZHR | 30 | Q | 8055 | 11251 | 15136 | 19808 | 25364 | 31904 | 39527 | 48334 | 58424 | 69902 | - |
| | | | W | 5808 | 6767 | 7735 | 8682 | 9576 | 10387 | 11083 | 11632 | 12004 | 12168 | - |
| | | 40 | Q | 5991 | 8838 | 12240 | 16294 | 21100 | 26758 | 33369 | 41033 | 49852 | 59932 | - |
| | | | W | 5790 | 6900 | 8058 | 9233 | 10393 | 11508 | 12546 | 13476 | 14267 | 14888 | - |
| | | 50 | Q | - | 6493 | 9367 | 12759 | 16772 | 21504 | 27059 | 33539 | 41048 | 49694 | - |
| | | | W | - | 6796 | 8118 | 9494 | 10895 | 12288 | 13642 | 14927 | 16111 | 17162 | - |
| 3508089 | SHR4627ZHR | 30 | Q | 9962 | 13764 | 18393 | 23976 | 30640 | 38513 | 47723 | 58398 | 70670 | 84669 | - |
| | | | W | 6870 | 8076 | 9312 | 10540 | 11727 | 12835 | 13831 | 14677 | 15339 | 15780 | - |
| | | 40 | Q | 7517 | 10921 | 14965 | 19776 | 25483 | 32213 | 40097 | 49265 | 59848 | 71981 | - |
| | | | W | 6918 | 8275 | 9698 | 11153 | 12603 | 14014 | 15350 | 16575 | 17654 | 18551 | - |
| | | 50 | Q | - | 8140 | 11619 | 15677 | 20444 | 26051 | 32629 | 40309 | 49228 | 59521 | - |
| | | | W | - | 8253 | 9833 | 11483 | 13167 | 14849 | 16495 | 18067 | 19532 | 20853 | - |
| 3508090 | SHR4632ZHR | 30 | Q | 12350 | 16916 | 22474 | 29157 | 37097 | 46425 | 57277 | 69785 | 84086 | 100318 | - |
| | | | W | 8280 | 9744 | 11238 | 12714 | 14123 | 15415 | 16539 | 17448 | 18092 | 18420 | - |
| | | 40 | Q | 9661 | 13672 | 18485 | 24233 | 31050 | 39068 | 48423 | 59251 | 71690 | 85879 | - |
| | | | W | 8390 | 9991 | 11674 | 13390 | 15091 | 16726 | 18246 | 19602 | 20745 | 21624 | - |
| | | 50 | Q | - | 10692 | 14742 | 19536 | 25211 | 31902 | 39745 | 48879 | 59444 | 71583 | - |
| | | | W | - | 10253 | 12115 | 14063 | 16046 | 18016 | 19922 | 21716 | 23349 | 24769 | - |
| 3509096 | SHR4636ZHR | 30 | Q | 11486 | 16552 | 22781 | 30320 | 39314 | 49911 | 62257 | 76501 | 92793 | 111285 | - |
| | | | W | 8601 | 10260 | 11963 | 13657 | 15290 | 16808 | 18160 | 19291 | 20149 | 20682 | - |
| | | 40 | Q | 8552 | 12942 | 18281 | 24717 | 32395 | 41465 | 52075 | 64376 | 78519 | 94660 | - |
| | | | W | 8181 | 10021 | 11970 | 13977 | 15988 | 17950 | 19811 | 21517 | 23017 | 24257 | - |
| | | 50 | Q | - | 9806 | 14243 | 19563 | 25914 | 33447 | 42312 | 52662 | 64654 | 78445 | - |
| | | | W | - | 9643 | 11779 | 14038 | 16367 | 18714 | 21025 | 23247 | 25329 | 27217 | - |
| 3508091 | SHR4639ZHR | 30 | Q | 15134 | 20891 | 27597 | 35441 | 44617 | 55314 | 67727 | 82049 | 98475 | 117204 | - |
| | | | W | 10137 | 11714 | 13494 | 15386 | 17296 | 19134 | 20806 | 22222 | 23288 | 23914 | - |
| | | 40 | Q | 11010 | 16572 | 22761 | 29768 | 37785 | 47007 | 57627 | 69843 | 83851 | 99852 | - |
| | | | W | 11079 | 12678 | 14602 | 16759 | 19057 | 21404 | 23708 | 25877 | 27820 | 29443 | - |
| | | 50 | Q | - | 11961 | 17792 | 24117 | 31131 | 39030 | 48012 | 58274 | 70019 | 83451 | - |
| | | | W | - | 13482 | 15488 | 17849 | 20474 | 23269 | 26144 | 29006 | 31763 | 34323 | - |
| 3509097 | SHR4641ZHR | 30 | Q | 16032 | 21568 | 28447 | 36846 | 46943 | 58916 | 72946 | 89211 | 107896 | 129184 | - |
| | | | W | 9914 | 11580 | 13298 | 15005 | 16635 | 18123 | 19406 | 20418 | 21095 | 21371 | - |
| | | 40 | Q | 13058 | 17812 | 23645 | 30737 | 39267 | 49414 | 61359 | 75286 | 91379 | 109827 | - |
| | | | W | 10112 | 11972 | 13963 | 16021 | 18082 | 20080 | 21950 | 23630 | 25052 | 26154 | - |
| | | 50 | Q | - | 14439 | 19213 | 24983 | 31931 | 40238 | 50088 | 61667 | 75163 | 90771 | - |
| | | | W | - | 12200 | 14424 | 16794 | 19246 | 21713 | 24133 | 26439 | 28568 | 30455 | - |
| 3509098 | SHR4648ZHR | 30 | Q | 17636 | 24225 | 32394 | 42336 | 54244 | 68309 | 84728 | 103696 | 125410 | 150072 | - |
| | | | W | 12187 | 14138 | 16161 | 18178 | 20114 | 21891 | 23433 | 24663 | 25504 | 25881 | - |
| | | 40 | Q | 14280 | 19943 | 26904 | 35358 | 45496 | 57516 | 71613 | 87986 | 106835 | 128365 | - |
| | | | W | 12081 | 14232 | 16559 | 18983 | 21430 | 23821 | 26082 | 28133 | 29901 | 31306 | - |
| | | 50 | Q | - | 16083 | 21694 | 28516 | 36745 | 46578 | 58216 | 71859 | 87713 | 105987 | - |
| | | | W | - | 14098 | 16627 | 19358 | 22215 | 25120 | 27997 | 30770 | 33361 | 35695 | - |
| 3509099 | SHR4661ZHR | 30 | Q | 21186 | 29588 | 39758 | 51935 | 66355 | 83258 | 102883 | 125474 | 151273 | 180529 | - |
| | | | W | 13564 | 16306 | 19095 | 21860 | 24525 | 27019 | 29267 | 31198 | 32737 | 33811 | - |
| | | 40 | Q | 16428 | 23887 | 32773 | 43323 | 55779 | 70381 | 87371 | 106994 | 129499 | 155136 | - |
| | | | W | 13403 | 16500 | 19739 | 23047 | 26352 | 29580 | 32657 | 35511 | 38068 | 40255 | - |
| | | 50 | Q | - | 18542 | 26008 | 34798 | 45155 | 57322 | 71546 | 88076 | 107164 | 129070 | - |
| | | | W | - | 16291 | 19894 | 23662 | 27521 | 31397 | 35218 | 38910 | 42400 | 45614 | - |

Additional Cooling Required
EN13215 ratings

- Return Vapour 20°C
- Subcooling 3K
- Mid-point temperature reference

Q = Capacity
W = Power input

R448A

Low / Medium / High Temperature Applications

| Product Code | Model | Condensing temp: °C | Capacity & Power | Saturated Suction Temperature: °C | | | | | | | | | | |
|--------------|------------|---------------------|------------------|-----------------------------------|------|------|-------|-------|-------|-------|-------|-------|-------|-------|
| | | | | -40 | -35 | -30 | -25 | -20 | -15 | -10 | -5 | 0 | 5 | 10 |
| 3508077 | SHR4521ZHR | 30 | Q | 456 | 722 | 1043 | 1433 | 1905 | 2471 | 3145 | 3940 | 4870 | 5947 | 7186 |
| | | | W | 412 | 523 | 636 | 745 | 847 | 937 | 1009 | 1061 | 1086 | 1081 | 1040 |
| | | 40 | Q | 301 | 548 | 837 | 1180 | 1591 | 2082 | 2667 | 3359 | 4172 | 5119 | 6213 |
| | | | W | 381 | 498 | 622 | 748 | 873 | 991 | 1097 | 1188 | 1259 | 1305 | 1321 |
| | | 50 | Q | 126 | 354 | 610 | 906 | 1255 | 1671 | 2167 | 2755 | 3451 | 4267 | 5216 |
| | | | W | 355 | 473 | 604 | 743 | 886 | 1028 | 1164 | 1290 | 1402 | 1494 | 1563 |
| 3508078 | SHR4526ZHR | 30 | Q | 631 | 969 | 1378 | 1874 | 2473 | 3191 | 4046 | 5052 | 6226 | 7585 | 9146 |
| | | | W | 557 | 688 | 821 | 951 | 1072 | 1178 | 1264 | 1324 | 1352 | 1343 | 1291 |
| | | 40 | Q | 437 | 752 | 1121 | 1560 | 2084 | 2710 | 3454 | 4332 | 5362 | 6559 | 7941 |
| | | | W | 543 | 679 | 825 | 974 | 1122 | 1262 | 1389 | 1498 | 1581 | 1635 | 1653 |
| | | 50 | Q | 213 | 506 | 834 | 1213 | 1661 | 2192 | 2825 | 3575 | 4458 | 5492 | 6693 |
| | | | W | 535 | 672 | 826 | 991 | 1162 | 1332 | 1496 | 1649 | 1784 | 1897 | 1981 |
| 3508079 | SHR4536ZHR | 30 | Q | 944 | 1427 | 2015 | 2729 | 3592 | 4626 | 5853 | 7296 | 8978 | 10920 | 13146 |
| | | | W | 779 | 970 | 1164 | 1352 | 1527 | 1680 | 1804 | 1890 | 1931 | 1918 | 1844 |
| | | 40 | Q | 678 | 1130 | 1662 | 2294 | 3049 | 3950 | 5019 | 6278 | 7750 | 9457 | 11424 |
| | | | W | 776 | 973 | 1183 | 1397 | 1609 | 1810 | 1992 | 2147 | 2267 | 2344 | 2370 |
| | | 50 | Q | 355 | 780 | 1258 | 1811 | 2462 | 3232 | 4144 | 5221 | 6487 | 7963 | 9672 |
| | | | W | 803 | 1000 | 1220 | 1456 | 1700 | 1943 | 2177 | 2395 | 2589 | 2751 | 2872 |
| 3508080 | SHR4550ZHR | 30 | Q | 1503 | 2195 | 3016 | 3997 | 5171 | 6571 | 8228 | 10175 | 12444 | 15069 | 18081 |
| | | | W | 1054 | 1276 | 1506 | 1736 | 1954 | 2152 | 2321 | 2449 | 2528 | 2548 | 2499 |
| | | 40 | Q | 1150 | 1781 | 2515 | 3384 | 4421 | 5657 | 7125 | 8859 | 10889 | 13251 | 15976 |
| | | | W | 1009 | 1270 | 1548 | 1834 | 2116 | 2387 | 2635 | 2852 | 3027 | 3151 | 3214 |
| | | 50 | Q | 787 | 1357 | 2003 | 2759 | 3657 | 4729 | 6008 | 7527 | 9319 | 11417 | 13854 |
| | | | W | 894 | 1196 | 1522 | 1863 | 2210 | 2552 | 2881 | 3185 | 3456 | 3684 | 3860 |
| 3508081 | SHR4564ZHR | 30 | Q | 2028 | 2902 | 3927 | 5147 | 6605 | 8343 | 10404 | 12833 | 15672 | 18964 | 22755 |
| | | | W | 1419 | 1687 | 1959 | 2226 | 2478 | 2707 | 2904 | 3060 | 3168 | 3217 | 3199 |
| | | 40 | Q | 1585 | 2375 | 3288 | 4367 | 5654 | 7194 | 9028 | 11202 | 13758 | 16740 | 20193 |
| | | | W | 1375 | 1701 | 2037 | 2375 | 2706 | 3021 | 3311 | 3568 | 3783 | 3947 | 4052 |
| | | 50 | Q | 1169 | 1871 | 2667 | 3599 | 4712 | 6048 | 7651 | 9566 | 11835 | 14503 | 17615 |
| | | | W | 1273 | 1655 | 2054 | 2462 | 2869 | 3269 | 3650 | 4006 | 4326 | 4603 | 4828 |
| 3508082 | SHR4576ZHR | 30 | Q | 2500 | 3611 | 4916 | 6473 | 8338 | 10571 | 13227 | 16367 | 20046 | 24325 | 29261 |
| | | | W | 1671 | 2022 | 2375 | 2719 | 3046 | 3346 | 3609 | 3828 | 3991 | 4090 | 4115 |
| | | 40 | Q | 1926 | 2924 | 4077 | 5443 | 7079 | 9044 | 11395 | 14191 | 17490 | 21351 | 25834 |
| | | | W | 1636 | 2052 | 2479 | 2909 | 3330 | 3735 | 4115 | 4458 | 4757 | 5002 | 5183 |
| | | 50 | Q | 1400 | 2283 | 3282 | 4455 | 5861 | 7556 | 9601 | 12053 | 14971 | 18414 | 22443 |
| | | | W | 1540 | 2015 | 2512 | 3021 | 3533 | 4038 | 4527 | 4992 | 5421 | 5807 | 6139 |
| 3508083 | SHR4591ZHR | 30 | Q | 2902 | 4199 | 5730 | 7557 | 9745 | 12355 | 15453 | 19101 | 23363 | 28304 | 33987 |
| | | | W | 1962 | 2364 | 2778 | 3188 | 3580 | 3938 | 4247 | 4491 | 4655 | 4724 | 4683 |
| | | 40 | Q | 2255 | 3421 | 4777 | 6385 | 8310 | 10614 | 13362 | 16618 | 20445 | 24908 | 30073 |
| | | | W | 1931 | 2397 | 2889 | 3393 | 3893 | 4374 | 4821 | 5218 | 5550 | 5802 | 5958 |
| | | 50 | Q | 1646 | 2671 | 3840 | 5217 | 6868 | 8855 | 11242 | 14095 | 17477 | 21454 | 26091 |
| | | | W | 1829 | 2348 | 2909 | 3497 | 4096 | 4691 | 5266 | 5806 | 6297 | 6721 | 7065 |
| 3508084 | SHR4610ZHR | 30 | Q | 3224 | 4706 | 6451 | 8532 | 11020 | 13988 | 17507 | 21651 | 26492 | 32102 | 38556 |
| | | | W | 2195 | 2676 | 3158 | 3627 | 4067 | 4464 | 4802 | 5068 | 5245 | 5320 | 5277 |
| | | 40 | Q | 2484 | 3815 | 5360 | 7192 | 9383 | 12006 | 15132 | 18835 | 23189 | 28265 | 34139 |
| | | | W | 2105 | 2664 | 3241 | 3821 | 4390 | 4932 | 5433 | 5878 | 6252 | 6540 | 6728 |
| | | 50 | Q | 1799 | 2964 | 4294 | 5863 | 7743 | 10006 | 12726 | 15975 | 19828 | 24358 | 29641 |
| | | | W | 1931 | 2560 | 3223 | 3907 | 4596 | 5275 | 5931 | 6547 | 7109 | 7602 | 8011 |
| 3508085 | SHR4612ZHR | 30 | Q | 4002 | 5713 | 7745 | 10179 | 13097 | 16582 | 20715 | 25579 | 31257 | 37833 | 45389 |
| | | | W | 2673 | 3184 | 3725 | 4272 | 4802 | 5292 | 5718 | 6058 | 6288 | 6385 | 6327 |
| | | 40 | Q | 3201 | 4749 | 6557 | 8705 | 11277 | 14355 | 18022 | 22360 | 27454 | 33386 | 40242 |
| | | | W | 2641 | 3240 | 3887 | 4559 | 5233 | 5886 | 6495 | 7037 | 7488 | 7825 | 8026 |
| | | 50 | Q | 2414 | 3787 | 5358 | 7209 | 9423 | 12084 | 15273 | 19075 | 23574 | 28854 | 35000 |
| | | | W | 2558 | 3227 | 3965 | 4746 | 5549 | 6350 | 7126 | 7854 | 8511 | 9073 | 9518 |
| 3508086 | SHR4615ZHR | 30 | Q | 4694 | 6849 | 9397 | 12458 | 16152 | 20599 | 25918 | 32231 | 39659 | 48322 | 58343 |
| | | | W | 2947 | 3711 | 4447 | 5137 | 5765 | 6314 | 6768 | 7109 | 7321 | 7388 | 7291 |
| | | 40 | Q | 3570 | 5531 | 7793 | 10474 | 13695 | 17577 | 22240 | 27805 | 34394 | 42128 | 51132 |
| | | | W | 2725 | 3660 | 4576 | 5456 | 6284 | 7042 | 7714 | 8283 | 8732 | 9045 | 9205 |
| | | 50 | Q | 2428 | 4222 | 6221 | 8546 | 11319 | 14659 | 18690 | 23531 | 29307 | 36140 | 44154 |
| | | | W | 2336 | 3438 | 4531 | 5597 | 6620 | 7583 | 8469 | 9262 | 9945 | 10500 | 10912 |

| Product Code | Model | Condensing temp: °C | Capacity & Power | Saturated Suction Temperature: °C | | | | | | | | | | |
|--------------|------------|---------------------|------------------|-----------------------------------|-------|-------|-------|-------|-------|-------|--------|--------|--------|--------|
| | | | | -40 | -35 | -30 | -25 | -20 | -15 | -10 | -5 | 0 | 5 | 10 |
| 3508087 | SHR4620ZHR | 30 | Q | 5277 | 7902 | 11042 | 14840 | 19443 | 24995 | 31644 | 39534 | 48813 | 59628 | 72128 |
| | | | W | 3321 | 4257 | 5186 | 6079 | 6906 | 7639 | 8249 | 8707 | 8983 | 9050 | 8877 |
| | | 40 | Q | 3754 | 6146 | 8931 | 12255 | 16263 | 21102 | 26917 | 33857 | 42068 | 51699 | 62900 |
| | | | W | 2912 | 4078 | 5246 | 6387 | 7472 | 8472 | 9359 | 10103 | 10675 | 11047 | 11189 |
| | | 50 | Q | 2253 | 4419 | 6855 | 9710 | 13129 | 17259 | 22247 | 28242 | 35393 | 43848 | 53759 |
| | | | W | 2188 | 3573 | 4970 | 6350 | 7683 | 8941 | 10095 | 11115 | 11974 | 12641 | 13088 |
| 3508088 | SHR4623ZHR | 30 | Q | 6592 | 9739 | 13438 | 17831 | 23060 | 29267 | 36594 | 45184 | 55181 | 66727 | 79968 |
| | | | W | 4285 | 5263 | 6242 | 7195 | 8099 | 8928 | 9657 | 10259 | 10710 | 10985 | 11059 |
| | | 40 | Q | 4737 | 7646 | 10994 | 14922 | 19573 | 25090 | 31614 | 39291 | 48263 | 58677 | 70677 |
| | | | W | 4062 | 5226 | 6410 | 7589 | 8738 | 9831 | 10843 | 11749 | 12524 | 13141 | 13577 |
| | | 50 | Q | 2922 | 5571 | 8543 | 11982 | 16030 | 20832 | 26531 | 33271 | 41197 | 50457 | 61197 |
| | | | W | 3838 | 5144 | 6491 | 7852 | 9202 | 10516 | 11769 | 12935 | 13989 | 14906 | 15660 |
| 3508089 | SHR4627ZHR | 30 | Q | 8639 | 12438 | 16907 | 22218 | 28545 | 36064 | 44948 | 55373 | 67514 | 81549 | 97655 |
| | | | W | 5785 | 6834 | 7911 | 8982 | 10013 | 10967 | 11810 | 12507 | 13024 | 13325 | 13375 |
| | | 40 | Q | 6554 | 10075 | 14123 | 18873 | 24500 | 31179 | 39085 | 48395 | 59284 | 71932 | 86517 |
| | | | W | 5663 | 6912 | 8218 | 9545 | 10859 | 12125 | 13308 | 14373 | 15285 | 16009 | 16511 |
| | | 50 | Q | 4511 | 7711 | 11296 | 15442 | 20325 | 26121 | 33006 | 41157 | 50754 | 61975 | 75002 |
| | | | W | 5532 | 6941 | 8435 | 9978 | 11536 | 13074 | 14556 | 15949 | 17216 | 18324 | 19237 |
| 3508090 | SHR4632ZHR | 30 | Q | 10456 | 14883 | 20136 | 26410 | 33902 | 42806 | 53320 | 65640 | 79963 | 96489 | 115418 |
| | | | W | 6766 | 7970 | 9213 | 10456 | 11659 | 12781 | 13784 | 14626 | 15267 | 15669 | 15790 |
| | | 40 | Q | 8152 | 12268 | 17027 | 22624 | 29256 | 37119 | 46412 | 57331 | 70075 | 84846 | 101844 |
| | | | W | 6835 | 8256 | 9751 | 11282 | 12807 | 14287 | 15683 | 16953 | 18058 | 18958 | 19613 |
| | | 50 | Q | 5888 | 9635 | 13840 | 18701 | 24413 | 31177 | 39189 | 48649 | 59758 | 72717 | 87731 |
| | | | W | 6862 | 8456 | 10161 | 11935 | 13740 | 15534 | 17279 | 18934 | 20459 | 21814 | 22959 |
| 3509096 | SHR4636ZHR | 30 | Q | 10299 | 15336 | 21222 | 28177 | 36420 | 46172 | 57653 | 71084 | 86688 | 104688 | 125310 |
| | | | W | 6978 | 8419 | 9879 | 11315 | 12685 | 13944 | 15052 | 15964 | 16637 | 17029 | 17097 |
| | | 40 | Q | 7485 | 12108 | 17428 | 23664 | 31037 | 39768 | 50080 | 62195 | 76336 | 92728 | 111599 |
| | | | W | 6665 | 8417 | 10214 | 12013 | 13773 | 15449 | 16999 | 18381 | 19550 | 20465 | 21082 |
| | | 50 | Q | 4597 | 8750 | 13446 | 18906 | 25354 | 33010 | 42098 | 52843 | 65469 | 80204 | 97276 |
| | | | W | 6116 | 8151 | 10257 | 12393 | 14515 | 16581 | 18547 | 20370 | 22008 | 23418 | 24557 |
| 3508091 | SHR4639ZHR | 30 | Q | 13449 | 18933 | 25303 | 32823 | 41760 | 52378 | 64945 | 79726 | 96992 | 117010 | 140052 |
| | | | W | 8184 | 9776 | 11370 | 12927 | 14405 | 15765 | 16967 | 17971 | 18736 | 19222 | 19390 |
| | | 40 | Q | 10474 | 15781 | 21699 | 28494 | 36433 | 45782 | 56808 | 69781 | 84970 | 102645 | 123080 |
| | | | W | 8217 | 10081 | 11987 | 13897 | 15768 | 17563 | 19239 | 20758 | 22079 | 23163 | 23968 |
| | | 50 | Q | 7232 | 12367 | 17837 | 23910 | 30852 | 38932 | 48420 | 59585 | 72699 | 88036 | 105870 |
| | | | W | 8323 | 10380 | 12520 | 14703 | 16890 | 19040 | 21112 | 23068 | 24867 | 26468 | 27832 |
| 3509097 | SHR4641ZHR | 30 | Q | 12651 | 18179 | 24746 | 32586 | 41929 | 53009 | 66059 | 81313 | 99005 | 119373 | 142654 |
| | | | W | 8163 | 9900 | 11668 | 13408 | 15063 | 16573 | 17880 | 18926 | 19652 | 19999 | 19909 |
| | | 40 | Q | 9640 | 14773 | 20732 | 27752 | 36066 | 45906 | 57508 | 71106 | 86938 | 105240 | 126253 |
| | | | W | 8191 | 10179 | 12253 | 14355 | 16427 | 18410 | 20246 | 21875 | 23241 | 24283 | 24943 |
| | | 50 | Q | 6536 | 11262 | 16602 | 22791 | 30062 | 38651 | 48794 | 60727 | 74689 | 90920 | 109662 |
| | | | W | 8254 | 10398 | 12685 | 15056 | 17451 | 19814 | 22084 | 24204 | 26115 | 27759 | 29076 |
| 3509098 | SHR4648ZHR | 30 | Q | 15686 | 22165 | 29786 | 38847 | 49646 | 62481 | 77650 | 95453 | 116192 | 140168 | 167686 |
| | | | W | 10453 | 12353 | 14244 | 16084 | 17831 | 19443 | 20877 | 22092 | 23045 | 23693 | 23996 |
| | | 40 | Q | 12048 | 18223 | 25227 | 33357 | 42913 | 54194 | 67501 | 83134 | 101397 | 122592 | 147028 |
| | | | W | 10315 | 12587 | 14886 | 17169 | 19394 | 21519 | 23501 | 25298 | 26869 | 28171 | 29161 |
| | | 50 | Q | 8046 | 13956 | 20380 | 27616 | 35965 | 45729 | 57209 | 70708 | 86531 | 104986 | 126381 |
| | | | W | 10150 | 12734 | 15379 | 18043 | 20684 | 23260 | 25729 | 28048 | 30175 | 32068 | 33684 |
| 3509099 | SHR4661ZHR | 30 | Q | 19455 | 27772 | 37487 | 48962 | 62562 | 78651 | 97596 | 119764 | 145521 | 175240 | 209291 |
| | | | W | 13024 | 15319 | 17687 | 20044 | 22305 | 24385 | 26198 | 27658 | 28682 | 29184 | 29078 |
| | | 40 | Q | 14874 | 22867 | 31857 | 42208 | 54285 | 68457 | 85089 | 104551 | 127212 | 153445 | 183626 |
| | | | W | 13051 | 15727 | 18538 | 21400 | 24228 | 26936 | 29439 | 31653 | 33491 | 34870 | 35703 |
| | | 50 | Q | 9821 | 17491 | 25756 | 34980 | 45533 | 57782 | 72098 | 88851 | 108413 | 131162 | 157475 |
| | | | W | 13105 | 16051 | 19196 | 22453 | 25737 | 28965 | 32049 | 34905 | 37449 | 39594 | 41256 |

Additional Cooling Required
EN13215 ratings

- Return Vapour 20°C
- Subcooling 3K
- Mid-point temperature reference

Q = Capacity
W = Power input

R449A

Low / Medium / High Temperature Applications

| Product Code | Model | Condensing temp: °C | Capacity & Power | Saturated Suction Temperature: °C | | | | | | | | | | |
|--------------|------------|---------------------|------------------|-----------------------------------|------|------|-------|-------|-------|-------|-------|-------|-------|-------|
| | | | | -40 | -35 | -30 | -25 | -20 | -15 | -10 | -5 | 0 | 5 | 10 |
| 3508077 | SHR4521ZHR | 30 | Q | 456 | 721 | 1041 | 1429 | 1899 | 2463 | 3134 | 3924 | 4848 | 5919 | 7148 |
| | | | W | 412 | 523 | 636 | 745 | 847 | 937 | 1009 | 1061 | 1086 | 1081 | 1040 |
| | | 40 | Q | 300 | 547 | 834 | 1176 | 1585 | 2074 | 2655 | 3343 | 4151 | 5091 | 6176 |
| | | | W | 381 | 498 | 622 | 748 | 873 | 991 | 1097 | 1188 | 1259 | 1305 | 1321 |
| | | 50 | Q | 125 | 353 | 608 | 902 | 1250 | 1663 | 2156 | 2741 | 3431 | 4240 | 5181 |
| | | | W | 355 | 473 | 604 | 743 | 886 | 1028 | 1164 | 1290 | 1402 | 1494 | 1563 |
| 3508078 | SHR4526ZHR | 30 | Q | 630 | 967 | 1375 | 1869 | 2466 | 3181 | 4031 | 5031 | 6199 | 7549 | 9098 |
| | | | W | 557 | 688 | 821 | 951 | 1072 | 1178 | 1264 | 1324 | 1352 | 1343 | 1291 |
| | | 40 | Q | 436 | 750 | 1118 | 1555 | 2076 | 2699 | 3439 | 4312 | 5335 | 6523 | 7894 |
| | | | W | 543 | 679 | 825 | 974 | 1122 | 1262 | 1389 | 1498 | 1581 | 1635 | 1653 |
| | | 50 | Q | 213 | 504 | 831 | 1208 | 1654 | 2182 | 2811 | 3555 | 4432 | 5458 | 6649 |
| | | | W | 535 | 672 | 826 | 991 | 1162 | 1332 | 1496 | 1649 | 1784 | 1897 | 1981 |
| 3508079 | SHR4536ZHR | 30 | Q | 943 | 1424 | 2010 | 2722 | 3581 | 4610 | 5832 | 7267 | 8938 | 10867 | 13078 |
| | | | W | 779 | 970 | 1164 | 1352 | 1527 | 1680 | 1804 | 1890 | 1931 | 1918 | 1844 |
| | | 40 | Q | 676 | 1127 | 1657 | 2286 | 3038 | 3934 | 4997 | 6248 | 7710 | 9405 | 11356 |
| | | | W | 776 | 973 | 1183 | 1397 | 1609 | 1810 | 1992 | 2147 | 2267 | 2344 | 2370 |
| | | 50 | Q | 354 | 778 | 1254 | 1804 | 2451 | 3217 | 4123 | 5193 | 6449 | 7913 | 9608 |
| | | | W | 803 | 1000 | 1220 | 1456 | 1700 | 1943 | 2177 | 2395 | 2589 | 2751 | 2872 |
| 3508080 | SHR4550ZHR | 30 | Q | 1502 | 2191 | 3009 | 3987 | 5156 | 6549 | 8198 | 10134 | 12389 | 14996 | 17987 |
| | | | W | 1054 | 1276 | 1506 | 1736 | 1954 | 2152 | 2321 | 2449 | 2528 | 2548 | 2499 |
| | | 40 | Q | 1148 | 1776 | 2508 | 3373 | 4405 | 5634 | 7094 | 8816 | 10833 | 13177 | 15881 |
| | | | W | 1009 | 1270 | 1548 | 1834 | 2116 | 2387 | 2635 | 2852 | 3027 | 3151 | 3214 |
| | | 50 | Q | 785 | 1352 | 1996 | 2748 | 3641 | 4707 | 5978 | 7486 | 9264 | 11346 | 13763 |
| | | | W | 894 | 1196 | 1522 | 1863 | 2210 | 2552 | 2881 | 3185 | 3456 | 3684 | 3860 |
| 3508081 | SHR4564ZHR | 30 | Q | 2025 | 2896 | 3919 | 5134 | 6586 | 8316 | 10366 | 12781 | 15602 | 18872 | 22636 |
| | | | W | 1419 | 1687 | 1959 | 2226 | 2478 | 2707 | 2904 | 3060 | 3168 | 3217 | 3199 |
| | | 40 | Q | 1582 | 2369 | 3278 | 4353 | 5634 | 7165 | 8989 | 11148 | 13686 | 16647 | 20073 |
| | | | W | 1375 | 1701 | 2037 | 2375 | 2706 | 3021 | 3311 | 3568 | 3783 | 3947 | 4052 |
| | | 50 | Q | 1165 | 1865 | 2657 | 3585 | 4692 | 6020 | 7613 | 9513 | 11765 | 14412 | 17499 |
| | | | W | 1273 | 1655 | 2054 | 2462 | 2869 | 3269 | 3650 | 4006 | 4326 | 4603 | 4828 |
| 3508082 | SHR4576ZHR | 30 | Q | 2496 | 3604 | 4905 | 6456 | 8314 | 10536 | 13179 | 16300 | 19957 | 24207 | 29108 |
| | | | W | 1671 | 2022 | 2375 | 2719 | 3046 | 3346 | 3609 | 3828 | 3991 | 4090 | 4115 |
| | | 40 | Q | 1922 | 2916 | 4065 | 5425 | 7053 | 9008 | 11345 | 14123 | 17400 | 21233 | 25681 |
| | | | W | 1636 | 2052 | 2479 | 2909 | 3330 | 3735 | 4115 | 4458 | 4757 | 5002 | 5183 |
| | | 50 | Q | 1396 | 2275 | 3270 | 4438 | 5836 | 7522 | 9553 | 11987 | 14883 | 18299 | 22295 |
| | | | W | 1540 | 2015 | 2512 | 3021 | 3533 | 4038 | 4527 | 4992 | 5421 | 5807 | 6139 |
| 3508083 | SHR4591ZHR | 30 | Q | 2898 | 4191 | 5717 | 7538 | 9716 | 12315 | 15396 | 19023 | 23259 | 28166 | 33809 |
| | | | W | 1962 | 2364 | 2778 | 3188 | 3580 | 3938 | 4247 | 4491 | 4655 | 4724 | 4683 |
| | | 40 | Q | 2251 | 3412 | 4763 | 6364 | 8280 | 10572 | 13304 | 16539 | 20339 | 24770 | 29895 |
| | | | W | 1931 | 2397 | 2889 | 3393 | 3893 | 4374 | 4821 | 5218 | 5550 | 5802 | 5958 |
| | | 50 | Q | 1642 | 2662 | 3826 | 5197 | 6839 | 8814 | 11186 | 14018 | 17374 | 21320 | 25919 |
| | | | W | 1829 | 2348 | 2909 | 3497 | 4096 | 4691 | 5266 | 5806 | 6297 | 6721 | 7065 |
| 3508084 | SHR4610ZHR | 30 | Q | 3220 | 4697 | 6437 | 8510 | 10988 | 13942 | 17443 | 21563 | 26373 | 31946 | 38354 |
| | | | W | 2195 | 2676 | 3158 | 3627 | 4067 | 4464 | 4802 | 5068 | 5245 | 5320 | 5277 |
| | | 40 | Q | 2479 | 3804 | 5344 | 7168 | 9349 | 11958 | 15066 | 18746 | 23069 | 28108 | 33937 |
| | | | W | 2105 | 2664 | 3241 | 3821 | 4390 | 4932 | 5433 | 5878 | 6252 | 6540 | 6728 |
| | | 50 | Q | 1794 | 2954 | 4279 | 5840 | 7710 | 9960 | 12662 | 15888 | 19712 | 24206 | 29446 |
| | | | W | 1931 | 2560 | 3223 | 3907 | 4596 | 5275 | 5931 | 6547 | 7109 | 7602 | 8011 |
| 3508085 | SHR4612ZHR | 30 | Q | 3997 | 5703 | 7728 | 10153 | 13059 | 16527 | 20639 | 25475 | 31117 | 37649 | 45152 |
| | | | W | 2673 | 3184 | 3725 | 4272 | 4802 | 5292 | 5718 | 6058 | 6288 | 6385 | 6327 |
| | | 40 | Q | 3195 | 4737 | 6537 | 8677 | 11236 | 14298 | 17943 | 22254 | 27312 | 33201 | 40004 |
| | | | W | 2641 | 3240 | 3887 | 4559 | 5233 | 5886 | 6495 | 7037 | 7488 | 7825 | 8026 |
| | | 50 | Q | 2407 | 3775 | 5339 | 7181 | 9384 | 12028 | 15196 | 18971 | 23436 | 28674 | 34769 |
| | | | W | 2558 | 3227 | 3965 | 4746 | 5549 | 6350 | 7126 | 7854 | 8511 | 9073 | 9518 |
| 3508086 | SHR4615ZHR | 30 | Q | 4688 | 6836 | 9376 | 12426 | 16105 | 20531 | 25823 | 32100 | 39481 | 48087 | 58038 |
| | | | W | 2947 | 3711 | 4447 | 5137 | 5765 | 6314 | 6768 | 7109 | 7321 | 7388 | 7291 |
| | | 40 | Q | 3562 | 5517 | 7769 | 10440 | 13646 | 17507 | 22143 | 27672 | 34216 | 41894 | 50830 |
| | | | W | 2725 | 3660 | 4576 | 5456 | 6284 | 7042 | 7714 | 8283 | 8732 | 9045 | 9205 |
| | | 50 | Q | 2421 | 4208 | 6198 | 8513 | 11271 | 14592 | 18596 | 23403 | 29135 | 35914 | 43862 |
| | | | W | 2336 | 3438 | 4531 | 5597 | 6620 | 7583 | 8469 | 9262 | 9945 | 10500 | 10912 |

| Product Code | Model | Condensing temp: °C | Capacity & Power | Saturated Suction Temperature: °C | | | | | | | | | | |
|--------------|------------|---------------------|------------------|-----------------------------------|-------|-------|-------|-------|-------|-------|--------|--------|--------|--------|
| | | | | -40 | -35 | -30 | -25 | -20 | -15 | -10 | -5 | 0 | 5 | 10 |
| 3508087 | SHR4620ZHR | 30 | Q | 5270 | 7888 | 11017 | 14802 | 19387 | 24914 | 31527 | 39373 | 48594 | 59338 | 71752 |
| | | | W | 3321 | 4257 | 5186 | 6079 | 6906 | 7639 | 8249 | 8707 | 8983 | 9050 | 8877 |
| | | 40 | Q | 3746 | 6130 | 8905 | 12215 | 16205 | 21018 | 26800 | 33696 | 41851 | 51413 | 62528 |
| | | | W | 2912 | 4078 | 5246 | 6387 | 7472 | 8472 | 9359 | 10103 | 10675 | 11047 | 11189 |
| | | 50 | Q | 2246 | 4404 | 6831 | 9672 | 13073 | 17179 | 22136 | 28089 | 35186 | 43574 | 53404 |
| | | | W | 2188 | 3573 | 4970 | 6350 | 7683 | 8941 | 10095 | 11115 | 11974 | 12641 | 13088 |
| 3508088 | SHR4623ZHR | 30 | Q | 6584 | 9721 | 13408 | 17786 | 22994 | 29172 | 36460 | 45001 | 54934 | 66403 | 79551 |
| | | | W | 4285 | 5263 | 6242 | 7195 | 8099 | 8928 | 9657 | 10259 | 10710 | 10985 | 11059 |
| | | 40 | Q | 4727 | 7626 | 10961 | 14874 | 19503 | 24990 | 31477 | 39104 | 48015 | 58352 | 70259 |
| | | | W | 4062 | 5226 | 6410 | 7589 | 8738 | 9831 | 10843 | 11749 | 12524 | 13141 | 13577 |
| | | 50 | Q | 2915 | 5552 | 8512 | 11935 | 15963 | 20736 | 26398 | 33090 | 40956 | 50142 | 60792 |
| | | | W | 3838 | 5144 | 6491 | 7852 | 9202 | 10516 | 11769 | 12935 | 13989 | 14906 | 15660 |
| 3508089 | SHR4627ZHR | 30 | Q | 8642 | 12442 | 16912 | 22225 | 28554 | 36075 | 44963 | 55391 | 67537 | 81577 | 97689 |
| | | | W | 5785 | 6834 | 7911 | 8982 | 10013 | 10967 | 11810 | 12507 | 13024 | 13325 | 13375 |
| | | 40 | Q | 6557 | 10079 | 14129 | 18881 | 24510 | 31192 | 39101 | 48415 | 59309 | 71963 | 86555 |
| | | | W | 5663 | 6912 | 8218 | 9545 | 10859 | 12125 | 13308 | 14373 | 15285 | 16009 | 16511 |
| | | 50 | Q | 4514 | 7714 | 11301 | 15450 | 20335 | 26134 | 33023 | 41179 | 50782 | 62010 | 75045 |
| | | | W | 5532 | 6941 | 8435 | 9978 | 11536 | 13074 | 14556 | 15949 | 17216 | 18324 | 19237 |
| 3508090 | SHR4632ZHR | 30 | Q | 10443 | 14856 | 20092 | 26344 | 33804 | 42666 | 53124 | 65373 | 79606 | 96022 | 114817 |
| | | | W | 6766 | 7970 | 9213 | 10456 | 11659 | 12781 | 13784 | 14626 | 15267 | 15669 | 15790 |
| | | 40 | Q | 8136 | 12237 | 16977 | 22550 | 29150 | 36972 | 46210 | 57058 | 69715 | 84377 | 101244 |
| | | | W | 6835 | 8256 | 9751 | 11282 | 12807 | 14287 | 15683 | 16953 | 18058 | 18958 | 19613 |
| | | 50 | Q | 5873 | 9604 | 13791 | 18628 | 24311 | 31034 | 38993 | 48386 | 59410 | 72264 | 87151 |
| | | | W | 6862 | 8456 | 10161 | 11935 | 13740 | 15534 | 17279 | 18934 | 20459 | 21814 | 22959 |
| 3509096 | SHR4636ZHR | 30 | Q | 10285 | 15307 | 21175 | 28105 | 36314 | 46020 | 57441 | 70794 | 86300 | 104179 | 124654 |
| | | | W | 6978 | 8419 | 9879 | 11315 | 12685 | 13944 | 15052 | 15964 | 16637 | 17029 | 17097 |
| | | 40 | Q | 7469 | 12076 | 17375 | 23586 | 30924 | 39610 | 49862 | 61899 | 75942 | 92214 | 110938 |
| | | | W | 6665 | 8417 | 10214 | 12013 | 13773 | 15449 | 16999 | 18381 | 19550 | 20465 | 21082 |
| | | 50 | Q | 4584 | 8720 | 13397 | 18832 | 25246 | 32857 | 41887 | 52556 | 65086 | 79703 | 96634 |
| | | | W | 6116 | 8151 | 10257 | 12393 | 14515 | 16581 | 18547 | 20370 | 22008 | 23418 | 24557 |
| 3508091 | SHR4639ZHR | 30 | Q | 13433 | 18899 | 25248 | 32740 | 41639 | 52206 | 64706 | 79402 | 96559 | 116443 | 139324 |
| | | | W | 8184 | 9776 | 11370 | 12927 | 14405 | 15765 | 16967 | 17971 | 18736 | 19222 | 19390 |
| | | 40 | Q | 10453 | 15740 | 21635 | 28401 | 36301 | 45600 | 56560 | 69449 | 84532 | 102077 | 122355 |
| | | | W | 8217 | 10081 | 11987 | 13897 | 15768 | 17563 | 19239 | 20758 | 22079 | 23163 | 23968 |
| | | 50 | Q | 7212 | 12327 | 17773 | 23817 | 30722 | 38754 | 48178 | 59263 | 72275 | 87487 | 105170 |
| | | | W | 8323 | 10380 | 12520 | 14703 | 16890 | 19040 | 21112 | 23068 | 24867 | 26468 | 27832 |
| 3509097 | SHR4641ZHR | 30 | Q | 12634 | 18145 | 24692 | 32503 | 41807 | 52835 | 65816 | 80981 | 98562 | 118793 | 141909 |
| | | | W | 8163 | 9900 | 11668 | 13408 | 15063 | 16573 | 17880 | 18926 | 19652 | 19999 | 19909 |
| | | 40 | Q | 9620 | 14734 | 20671 | 27661 | 35935 | 45723 | 57256 | 70767 | 86488 | 104656 | 125506 |
| | | | W | 8191 | 10179 | 12253 | 14355 | 16427 | 18410 | 20246 | 21875 | 23241 | 24283 | 24943 |
| | | 50 | Q | 6517 | 11224 | 16542 | 22702 | 29935 | 38473 | 48549 | 60397 | 74252 | 90352 | 108935 |
| | | | W | 8254 | 10398 | 12685 | 15056 | 17451 | 19814 | 22084 | 24204 | 26115 | 27759 | 29076 |
| 3509098 | SHR4648ZHR | 30 | Q | 15666 | 22125 | 29721 | 38749 | 49502 | 62276 | 77364 | 95064 | 115673 | 139489 | 166814 |
| | | | W | 10453 | 12353 | 14244 | 16084 | 17831 | 19443 | 20877 | 22092 | 23045 | 23693 | 23996 |
| | | 40 | Q | 12024 | 18176 | 25152 | 33248 | 42758 | 53979 | 67206 | 82738 | 100874 | 121914 | 146161 |
| | | | W | 10315 | 12587 | 14886 | 17169 | 19394 | 21519 | 23501 | 25298 | 26869 | 28171 | 29161 |
| | | 50 | Q | 8024 | 13911 | 20307 | 27509 | 35814 | 45519 | 56923 | 70325 | 86026 | 104331 | 125545 |
| | | | W | 10150 | 12734 | 15379 | 18043 | 20684 | 23260 | 25729 | 28048 | 30175 | 32068 | 33684 |
| 3509099 | SHR4661ZHR | 30 | Q | 19430 | 27722 | 37405 | 48837 | 62380 | 78392 | 97237 | 119275 | 144871 | 174390 | 208202 |
| | | | W | 13024 | 15319 | 17687 | 20044 | 22305 | 24385 | 26198 | 27658 | 28682 | 29184 | 29078 |
| | | 40 | Q | 14844 | 22807 | 31762 | 42069 | 54089 | 68184 | 84717 | 104052 | 126556 | 152596 | 182543 |
| | | | W | 13051 | 15727 | 18538 | 21400 | 24228 | 26936 | 29439 | 31653 | 33491 | 34870 | 35703 |
| | | 50 | Q | 9794 | 17433 | 25663 | 34844 | 45341 | 57517 | 71737 | 88369 | 107781 | 130344 | 156433 |
| | | | W | 13105 | 16051 | 19196 | 22453 | 25737 | 28965 | 32049 | 34905 | 37449 | 39594 | 41256 |

Additional Cooling Required
EN13215 ratings

- Return Vapour 20°C
- Subcooling 3K
- Mid-point temperature reference

Q = Capacity
W = Power input

R452A

Low / Medium / High Temperature Applications

| Product Code | Model | Condensing temp: °C | Capacity & Power | Saturated Suction Temperature: °C | | | | | | | | | | |
|--------------|------------|---------------------|------------------|-----------------------------------|------|------|-------|-------|-------|-------|-------|-------|-------|-------|
| | | | | -40 | -35 | -30 | -25 | -20 | -15 | -10 | -5 | 0 | 5 | 10 |
| 3508077 | SHR4521ZHR | 30 | Q | 617 | 848 | 1166 | 1577 | 2087 | 2700 | 3423 | 4261 | 5220 | 6305 | 7521 |
| | | | W | 525 | 612 | 703 | 793 | 878 | 953 | 1013 | 1054 | 1070 | 1057 | 1011 |
| | | 40 | Q | 454 | 650 | 916 | 1260 | 1687 | 2201 | 2810 | 3517 | 4329 | 5252 | 6292 |
| | | | W | 516 | 610 | 714 | 823 | 931 | 1035 | 1130 | 1211 | 1273 | 1311 | 1322 |
| | | 50 | Q | 283 | 445 | 663 | 942 | 1288 | 1706 | 2202 | 2782 | 3451 | 4215 | 5080 |
| | | | W | 516 | 612 | 724 | 845 | 972 | 1101 | 1225 | 1341 | 1443 | 1527 | 1589 |
| 3508078 | SHR4526ZHR | 30 | Q | 862 | 1160 | 1561 | 2078 | 2720 | 3501 | 4430 | 5520 | 6781 | 8227 | 9867 |
| | | | W | 662 | 770 | 882 | 992 | 1098 | 1196 | 1284 | 1356 | 1410 | 1443 | 1451 |
| | | 40 | Q | 701 | 949 | 1281 | 1710 | 2247 | 2902 | 3688 | 4616 | 5698 | 6945 | 8370 |
| | | | W | 666 | 782 | 907 | 1037 | 1168 | 1297 | 1421 | 1536 | 1639 | 1727 | 1795 |
| | | 50 | Q | 495 | 705 | 981 | 1335 | 1778 | 2321 | 2977 | 3756 | 4671 | 5734 | 6956 |
| | | | W | 682 | 799 | 930 | 1072 | 1221 | 1374 | 1528 | 1679 | 1823 | 1958 | 2080 |
| 3508079 | SHR4536ZHR | 30 | Q | 1292 | 1706 | 2251 | 2942 | 3792 | 4815 | 6024 | 7435 | 9060 | 10914 | 13012 |
| | | | W | 1094 | 1261 | 1435 | 1607 | 1772 | 1923 | 2054 | 2157 | 2226 | 2254 | 2235 |
| | | 40 | Q | 1067 | 1424 | 1887 | 2471 | 3189 | 4055 | 5083 | 6286 | 7680 | 9279 | 11096 |
| | | | W | 1134 | 1304 | 1492 | 1688 | 1888 | 2085 | 2271 | 2441 | 2587 | 2703 | 2783 |
| | | 50 | Q | 845 | 1152 | 1539 | 2023 | 2615 | 3330 | 4182 | 5186 | 6356 | 7705 | 9251 |
| | | | W | 1217 | 1380 | 1569 | 1778 | 2001 | 2231 | 2461 | 2686 | 2897 | 3089 | 3255 |
| 3508080 | SHR4550ZHR | 30 | Q | 1645 | 2289 | 3096 | 4089 | 5293 | 6733 | 8432 | 10417 | 12710 | 15338 | 18325 |
| | | | W | 1327 | 1555 | 1785 | 2010 | 2222 | 2412 | 2574 | 2700 | 2781 | 2811 | 2781 |
| | | 40 | Q | 1189 | 1796 | 2521 | 3388 | 4421 | 5645 | 7085 | 8765 | 10710 | 12946 | 15498 |
| | | | W | 1369 | 1605 | 1858 | 2119 | 2381 | 2636 | 2876 | 3094 | 3281 | 3432 | 3536 |
| | | 50 | Q | 743 | 1326 | 1981 | 2732 | 3605 | 4624 | 5814 | 7200 | 8808 | 10663 | 12792 |
| | | | W | 1513 | 1740 | 1998 | 2279 | 2574 | 2876 | 3177 | 3471 | 3748 | 4001 | 4223 |
| 3508081 | SHR4564ZHR | 30 | Q | 2220 | 2993 | 3976 | 5197 | 6683 | 8462 | 10562 | 13011 | 15835 | 19064 | 22727 |
| | | | W | 1665 | 1986 | 2305 | 2613 | 2902 | 3162 | 3384 | 3561 | 3683 | 3742 | 3728 |
| | | 40 | Q | 1698 | 2426 | 3317 | 4398 | 5697 | 7242 | 9060 | 11179 | 13628 | 16436 | 19630 |
| | | | W | 1713 | 2066 | 2430 | 2797 | 3158 | 3503 | 3825 | 4114 | 4361 | 4559 | 4697 |
| | | 50 | Q | 1200 | 1875 | 2665 | 3597 | 4699 | 6000 | 7526 | 9308 | 11372 | 13749 | 16468 |
| | | | W | 1771 | 2144 | 2542 | 2955 | 3376 | 3794 | 4203 | 4592 | 4953 | 5277 | 5556 |
| 3508082 | SHR4576ZHR | 30 | Q | 2307 | 3369 | 4706 | 6344 | 8307 | 10621 | 13312 | 16405 | 19925 | 23900 | 28355 |
| | | | W | 1502 | 2000 | 2462 | 2880 | 3247 | 3557 | 3801 | 3972 | 4064 | 4068 | 3978 |
| | | 40 | Q | 1539 | 2527 | 3727 | 5165 | 6865 | 8854 | 11156 | 13798 | 16806 | 20206 | 24026 |
| | | | W | 1345 | 1930 | 2487 | 3007 | 3484 | 3910 | 4278 | 4581 | 4811 | 4961 | 5023 |
| | | 50 | Q | 686 | 1608 | 2679 | 3923 | 5368 | 7037 | 8959 | 11157 | 13659 | 16493 | 19685 |
| | | | W | 1123 | 1783 | 2421 | 3031 | 3604 | 4134 | 4612 | 5033 | 5388 | 5671 | 5873 |
| 3508083 | SHR4591ZHR | 30 | Q | 3346 | 4426 | 5833 | 7609 | 9794 | 12427 | 15550 | 19203 | 23428 | 28265 | 33757 |
| | | | W | 2235 | 2688 | 3124 | 3535 | 3914 | 4252 | 4542 | 4776 | 4948 | 5049 | 5071 |
| | | 40 | Q | 2580 | 3580 | 4830 | 6370 | 8241 | 10483 | 13137 | 16245 | 19847 | 23987 | 28705 |
| | | | W | 2196 | 2720 | 3241 | 3754 | 4248 | 4719 | 5157 | 5555 | 5905 | 6201 | 6434 |
| | | 50 | Q | 1719 | 2649 | 3750 | 5064 | 6629 | 8489 | 10683 | 13254 | 16243 | 19694 | 23649 |
| | | | W | 2114 | 2693 | 3286 | 3884 | 4482 | 5069 | 5641 | 6188 | 6703 | 7179 | 7607 |
| 3508084 | SHR4610ZHR | 30 | Q | 3899 | 5207 | 6877 | 8953 | 11479 | 14498 | 18057 | 22199 | 26971 | 32416 | 38583 |
| | | | W | 2702 | 3239 | 3743 | 4213 | 4647 | 5042 | 5396 | 5708 | 5975 | 6195 | 6367 |
| | | 40 | Q | 3052 | 4254 | 5735 | 7539 | 9710 | 12293 | 15333 | 18875 | 22964 | 27648 | 32973 |
| | | | W | 2724 | 3325 | 3910 | 4475 | 5019 | 5540 | 6035 | 6504 | 6943 | 7350 | 7725 |
| | | 50 | Q | 2085 | 3194 | 4498 | 6042 | 7870 | 10028 | 12560 | 15514 | 18935 | 22870 | 27367 |
| | | | W | 2771 | 3421 | 4069 | 4713 | 5351 | 5981 | 6602 | 7210 | 7805 | 8383 | 8944 |
| 3508085 | SHR4612ZHR | 30 | Q | 4810 | 6234 | 8084 | 10416 | 13281 | 16733 | 20827 | 25615 | 31154 | 37497 | 44701 |
| | | | W | 3393 | 3817 | 4299 | 4817 | 5346 | 5861 | 6339 | 6755 | 7086 | 7306 | 7393 |
| | | 40 | Q | 3694 | 5044 | 6715 | 8763 | 11240 | 14199 | 17697 | 21786 | 26523 | 31962 | 38160 |
| | | | W | 3492 | 3947 | 4489 | 5091 | 5731 | 6385 | 7027 | 7634 | 8182 | 8646 | 9002 |
| | | 50 | Q | 2486 | 3768 | 5266 | 7034 | 9126 | 11598 | 14503 | 17897 | 21836 | 26376 | 31575 |
| | | | W | 3688 | 4145 | 4715 | 5373 | 6094 | 6855 | 7632 | 8400 | 9134 | 9812 | 10408 |
| 3508086 | SHR4615ZHR | 30 | Q | 5324 | 7173 | 9576 | 12588 | 16266 | 20662 | 25834 | 31836 | 38726 | 46559 | 55394 |
| | | | W | 3270 | 3960 | 4659 | 5350 | 6017 | 6645 | 7217 | 7716 | 8128 | 8434 | 8621 |
| | | 40 | Q | 4063 | 5652 | 7707 | 10282 | 13433 | 17215 | 21684 | 26897 | 32909 | 39779 | 47566 |
| | | | W | 3166 | 3932 | 4736 | 5563 | 6397 | 7221 | 8019 | 8776 | 9474 | 10098 | 10632 |
| | | 50 | Q | 2759 | 4099 | 5815 | 7962 | 10596 | 13773 | 17550 | 21983 | 27131 | 33052 | 39807 |
| | | | W | 3054 | 3862 | 4739 | 5669 | 6635 | 7623 | 8615 | 9595 | 10548 | 11456 | 12305 |

| Product Code | Model | Condensing temp: °C | Capacity & Power | Saturated Suction Temperature: °C | | | | | | | | | | |
|--------------|------------|---------------------|------------------|-----------------------------------|-------|-------|-------|-------|-------|-------|--------|--------|--------|--------|
| | | | | -40 | -35 | -30 | -25 | -20 | -15 | -10 | -5 | 0 | 5 | 10 |
| 3508087 | SHR4620ZHR | 30 | Q | 7563 | 10249 | 13412 | 17176 | 21668 | 27013 | 33336 | 40765 | 49426 | 59447 | 70959 |
| | | | W | 4688 | 5473 | 6297 | 7125 | 7926 | 8664 | 9309 | 9826 | 10182 | 10344 | 10279 |
| | | 40 | Q | 5419 | 8133 | 11146 | 14584 | 18573 | 23240 | 28712 | 35115 | 42579 | 51231 | 61205 |
| | | | W | 4982 | 5822 | 6747 | 7726 | 8725 | 9711 | 10650 | 11510 | 12258 | 12860 | 13283 |
| | | 50 | Q | 3029 | 5788 | 8668 | 11795 | 15296 | 19298 | 23931 | 29322 | 35601 | 42900 | 51352 |
| | | | W | 5276 | 6132 | 7123 | 8215 | 9376 | 10571 | 11769 | 12936 | 14038 | 15043 | 15917 |
| 3508088 | SHR4623ZHR | 30 | Q | 7762 | 10459 | 13950 | 18327 | 23686 | 30122 | 37730 | 46606 | 56847 | 68551 | 81817 |
| | | | W | 5334 | 6308 | 7283 | 8234 | 9133 | 9952 | 10665 | 11244 | 11662 | 11892 | 11905 |
| | | 40 | Q | 5817 | 8221 | 11267 | 15050 | 19667 | 25213 | 31783 | 39475 | 48387 | 58617 | 70267 |
| | | | W | 5315 | 6407 | 7546 | 8706 | 9859 | 10977 | 12035 | 13003 | 13856 | 14565 | 15104 |
| | | 50 | Q | 3791 | 5880 | 8462 | 11631 | 15485 | 20120 | 25634 | 32123 | 39688 | 48430 | 58451 |
| | | | W | 5223 | 6384 | 7638 | 8958 | 10315 | 11684 | 13036 | 14345 | 15583 | 16723 | 17737 |
| 3508089 | SHR4627ZHR | 30 | Q | 9598 | 12797 | 16951 | 22182 | 28612 | 36362 | 45555 | 56315 | 68765 | 83033 | 99243 |
| | | | W | 6301 | 7525 | 8767 | 9997 | 11185 | 12299 | 13311 | 14188 | 14902 | 15421 | 15715 |
| | | 40 | Q | 7289 | 10159 | 13777 | 18267 | 23750 | 30350 | 38191 | 47397 | 58093 | 70406 | 84466 |
| | | | W | 6341 | 7677 | 9079 | 10515 | 11955 | 13368 | 14725 | 15994 | 17146 | 18150 | 18975 |
| | | 50 | Q | 4785 | 7371 | 10500 | 14294 | 18878 | 24374 | 30908 | 38606 | 47596 | 58006 | 69968 |
| | | | W | 6365 | 7755 | 9255 | 10836 | 12468 | 14120 | 15761 | 17362 | 18891 | 20319 | 21615 |
| 3508090 | SHR4632ZHR | 30 | Q | 11864 | 15716 | 20712 | 26980 | 34645 | 43833 | 54672 | 67291 | 81818 | 98384 | 117122 |
| | | | W | 7599 | 9080 | 10581 | 12059 | 13469 | 14770 | 15917 | 16866 | 17574 | 17999 | 18095 |
| | | 40 | Q | 9315 | 12697 | 17011 | 22382 | 28939 | 36808 | 46119 | 57000 | 69582 | 83998 | 100381 |
| | | | W | 7698 | 9273 | 10930 | 12625 | 14315 | 15955 | 17503 | 18915 | 20147 | 21157 | 21900 |
| | | 50 | Q | 6752 | 9682 | 13328 | 17820 | 23285 | 29851 | 37650 | 46812 | 57470 | 69758 | 83814 |
| | | | W | 8006 | 9632 | 11402 | 13270 | 15195 | 17132 | 19038 | 20869 | 22582 | 24134 | 25480 |
| 3508096 | SHR4636ZHR | 30 | Q | 11152 | 15411 | 20996 | 28048 | 36709 | 47120 | 59424 | 73764 | 90284 | 109131 | 130452 |
| | | | W | 7882 | 9558 | 11264 | 12955 | 14584 | 16106 | 17476 | 18646 | 19573 | 20210 | 20512 |
| | | 40 | Q | 8386 | 12068 | 16836 | 22831 | 30195 | 39071 | 49602 | 61934 | 76211 | 92582 | 111199 |
| | | | W | 7483 | 9290 | 11203 | 13177 | 15166 | 17124 | 19005 | 20764 | 22355 | 23732 | 24850 |
| | | 50 | Q | 5742 | 8880 | 12861 | 17828 | 23926 | 31297 | 40087 | 50443 | 62513 | 76448 | 92402 |
| | | | W | 7219 | 9060 | 11084 | 13245 | 15497 | 17794 | 20091 | 22342 | 24501 | 26522 | 28360 |
| 3508091 | SHR4639ZHR | 30 | Q | 14518 | 19398 | 25431 | 32794 | 41667 | 52227 | 64654 | 79128 | 95831 | 114945 | 136656 |
| | | | W | 9308 | 10917 | 12706 | 14594 | 16497 | 18333 | 20021 | 21478 | 22622 | 23371 | 23642 |
| | | 40 | Q | 10615 | 15368 | 20933 | 27487 | 35210 | 44282 | 54883 | 67195 | 81401 | 97687 | 116240 |
| | | | W | 10195 | 11778 | 13674 | 15801 | 18076 | 20417 | 22742 | 24970 | 27017 | 28801 | 30241 |
| | | 50 | Q | 6023 | 10831 | 16105 | 22026 | 28774 | 36531 | 45480 | 55803 | 67687 | 81320 | 96893 |
| | | | W | 11211 | 12666 | 14567 | 16832 | 19377 | 22122 | 24983 | 27879 | 30728 | 33446 | 35953 |
| 3508097 | SHR4641ZHR | 30 | Q | 15394 | 20041 | 26217 | 34092 | 43837 | 55626 | 69631 | 86026 | 104986 | 126689 | 151313 |
| | | | W | 9103 | 10792 | 12521 | 14231 | 15865 | 17366 | 18675 | 19736 | 20492 | 20884 | 20856 |
| | | 40 | Q | 12552 | 16540 | 21762 | 28390 | 36597 | 46556 | 58441 | 72428 | 88694 | 107419 | 128785 |
| | | | W | 9286 | 11115 | 13074 | 15105 | 17151 | 19154 | 21056 | 22801 | 24330 | 25587 | 26514 |
| | | 50 | Q | 9712 | 13074 | 17375 | 22788 | 29487 | 37648 | 47447 | 59060 | 72669 | 88456 | 106608 |
| | | | W | 9573 | 11463 | 13572 | 15844 | 18221 | 20646 | 23061 | 25409 | 27633 | 29675 | 31477 |
| 3508098 | SHR4648ZHR | 30 | Q | 16974 | 22518 | 29855 | 39173 | 50658 | 64496 | 80877 | 99989 | 122023 | 147172 | 175633 |
| | | | W | 11185 | 13174 | 15215 | 17241 | 19184 | 20976 | 22550 | 23839 | 24776 | 25292 | 25321 |
| | | 40 | Q | 13763 | 18523 | 24759 | 32657 | 42406 | 54192 | 68207 | 84642 | 103688 | 125543 | 150404 |
| | | | W | 11082 | 13208 | 15502 | 17898 | 20328 | 22724 | 25020 | 27147 | 29038 | 30626 | 31844 |
| | | 50 | Q | 10669 | 14563 | 19611 | 26004 | 33931 | 43581 | 55147 | 68822 | 84802 | 103287 | 124480 |
| | | | W | 11132 | 13246 | 15646 | 18264 | 21033 | 23886 | 26754 | 29571 | 32269 | 34781 | 37039 |
| 3508099 | SHR4661ZHR | 30 | Q | 20393 | 27496 | 36642 | 48058 | 61971 | 78611 | 98206 | 120988 | 147190 | 177047 | 210797 |
| | | | W | 12425 | 15189 | 17980 | 20735 | 23392 | 25890 | 28166 | 30158 | 31804 | 33042 | 33811 |
| | | 40 | Q | 15876 | 22186 | 30155 | 40013 | 51988 | 66311 | 83212 | 102925 | 125685 | 151732 | 181306 |
| | | | W | 12263 | 15300 | 18476 | 21728 | 24996 | 28216 | 31327 | 34266 | 36973 | 39383 | 41437 |
| | | 50 | Q | 11342 | 16789 | 23511 | 31739 | 41703 | 53637 | 67774 | 84350 | 103605 | 125781 | 151127 |
| | | | W | 12143 | 15307 | 18721 | 22325 | 26057 | 29853 | 33653 | 37393 | 41013 | 44450 | 47642 |

Additional Cooling Required
EN13215 ratings

- Return Vapour 20°C
- Subcooling 3K
- Mid-point temperature reference

Q = Capacity
W = Power input

R134a

Low / Medium / High Temperature Applications

| Product Code | Model | Condensing temp: °C | Capacity & Power | Saturated Suction Temperature: °C | | | | | | | | | | |
|--------------|------------|---------------------|------------------|-----------------------------------|-----|------|------|------|-------|-------|-------|-------|-------|-------|
| | | | | -40 | -35 | -30 | -25 | -20 | -15 | -10 | -5 | 0 | 5 | 10 |
| 3508077 | SHR4521ZHR | 30 | Q | - | - | 427 | 674 | 973 | 1331 | 1756 | 2259 | 2846 | 3527 | 4311 |
| | | | W | - | - | 344 | 429 | 501 | 564 | 618 | 664 | 704 | 741 | 774 |
| | | 40 | Q | - | - | 299 | 530 | 804 | 1129 | 1513 | 1965 | 2494 | 3108 | 3817 |
| | | | W | - | - | 325 | 434 | 530 | 612 | 684 | 747 | 802 | 850 | 893 |
| | | 50 | Q | - | - | 199 | 415 | 664 | 956 | 1298 | 1701 | 2171 | 2718 | 3352 |
| | | | W | - | - | 299 | 434 | 552 | 656 | 747 | 826 | 896 | 957 | 1011 |
| 3508078 | SHR4526ZHR | 30 | Q | - | - | 777 | 1086 | 1459 | 1906 | 2440 | 3070 | 3808 | 4664 | 5650 |
| | | | W | - | - | 550 | 628 | 697 | 757 | 807 | 849 | 881 | 905 | 921 |
| | | 40 | Q | - | - | 594 | 884 | 1228 | 1637 | 2121 | 2692 | 3360 | 4137 | 5034 |
| | | | W | - | - | 538 | 644 | 739 | 823 | 897 | 961 | 1015 | 1059 | 1094 |
| | | 50 | Q | - | - | 431 | 702 | 1016 | 1385 | 1819 | 2329 | 2927 | 3623 | 4429 |
| | | | W | - | - | 502 | 636 | 758 | 869 | 968 | 1055 | 1132 | 1198 | 1253 |
| 3508079 | SHR4536ZHR | 30 | Q | - | - | 1221 | 1649 | 2191 | 2856 | 3654 | 4595 | 5691 | 6951 | 8385 |
| | | | W | - | - | 741 | 863 | 982 | 1091 | 1179 | 1241 | 1267 | 1249 | 1181 |
| | | 40 | Q | - | - | 981 | 1373 | 1862 | 2460 | 3175 | 4019 | 5001 | 6132 | 7423 |
| | | | W | - | - | 736 | 890 | 1048 | 1202 | 1342 | 1462 | 1553 | 1607 | 1617 |
| | | 50 | Q | - | - | 742 | 1098 | 1536 | 2066 | 2700 | 3446 | 4315 | 5318 | 6466 |
| | | | W | - | - | 690 | 875 | 1069 | 1266 | 1456 | 1633 | 1787 | 1911 | 1997 |
| 3508080 | SHR4550ZHR | 30 | Q | - | - | - | - | 2904 | 3764 | 4826 | 6107 | 7627 | 9404 | 11457 |
| | | | W | - | - | - | - | 1367 | 1499 | 1615 | 1704 | 1753 | 1751 | 1688 |
| | | 40 | Q | - | - | - | - | 2434 | 3202 | 4150 | 5296 | 6659 | 8258 | 10112 |
| | | | W | - | - | - | - | 1414 | 1581 | 1746 | 1900 | 2029 | 2124 | 2171 |
| | | 50 | Q | - | - | - | - | 1982 | 2652 | 3481 | 4486 | 5687 | 7103 | 8753 |
| | | | W | - | - | - | - | 1440 | 1627 | 1828 | 2033 | 2230 | 2407 | 2552 |
| 3508081 | SHR4564ZHR | 30 | Q | - | - | - | - | 3769 | 4829 | 6111 | 7636 | 9426 | 11501 | 13883 |
| | | | W | - | - | - | - | 1859 | 2035 | 2184 | 2305 | 2399 | 2466 | 2507 |
| | | 40 | Q | - | - | - | - | 3233 | 4187 | 5336 | 6699 | 8298 | 10153 | 12288 |
| | | | W | - | - | - | - | 1976 | 2209 | 2418 | 2603 | 2765 | 2904 | 3020 |
| | | 50 | Q | - | - | - | - | 2727 | 3576 | 4590 | 5790 | 7197 | 8833 | 10719 |
| | | | W | - | - | - | - | 2035 | 2325 | 2594 | 2844 | 3073 | 3283 | 3474 |
| 3508082 | SHR4576ZHR | 30 | Q | - | - | - | - | 4285 | 5668 | 7375 | 9433 | 11871 | 14717 | 17999 |
| | | | W | - | - | - | - | 1754 | 1956 | 2143 | 2304 | 2428 | 2502 | 2516 |
| | | 40 | Q | - | - | - | - | 3523 | 4775 | 6320 | 8185 | 10400 | 12992 | 15989 |
| | | | W | - | - | - | - | 1844 | 2103 | 2360 | 2605 | 2825 | 3009 | 3145 |
| | | 50 | Q | - | - | - | - | 2783 | 3889 | 5256 | 6914 | 8890 | 11213 | 13911 |
| | | | W | - | - | - | - | 1880 | 2187 | 2507 | 2826 | 3135 | 3420 | 3671 |
| 3508083 | SHR4591ZHR | 30 | Q | - | - | 3514 | 4640 | 5995 | 7626 | 9578 | 11899 | 14634 | 17831 | 21537 |
| | | | W | - | - | 1838 | 2042 | 2255 | 2463 | 2650 | 2803 | 2907 | 2946 | 2907 |
| | | 40 | Q | - | - | 2809 | 3909 | 5189 | 6694 | 8472 | 10568 | 13030 | 15905 | 19240 |
| | | | W | - | - | 1940 | 2192 | 2467 | 2749 | 3024 | 3277 | 3493 | 3658 | 3757 |
| | | 50 | Q | - | - | 2096 | 3169 | 4371 | 5750 | 7351 | 9221 | 11409 | 13960 | 16922 |
| | | | W | - | - | 1982 | 2286 | 2624 | 2983 | 3347 | 3702 | 4033 | 4325 | 4565 |
| 3508084 | SHR4610ZHR | 30 | Q | - | - | - | - | 5927 | 7715 | 9907 | 12548 | 15682 | 19352 | 23602 |
| | | | W | - | - | - | - | 2568 | 2838 | 3082 | 3290 | 3453 | 3562 | 3609 |
| | | 40 | Q | - | - | - | - | 5050 | 6671 | 8648 | 11024 | 13843 | 17150 | 20988 |
| | | | W | - | - | - | - | 2697 | 3047 | 3385 | 3703 | 3992 | 4242 | 4445 |
| | | 50 | Q | - | - | - | - | 4174 | 5619 | 7371 | 9473 | 11968 | 14903 | 18320 |
| | | | W | - | - | - | - | 2752 | 3174 | 3601 | 4022 | 4429 | 4813 | 5166 |
| 3508085 | SHR4612ZHR | 30 | Q | - | - | - | - | 7073 | 9188 | 11754 | 14814 | 18408 | 22579 | 27370 |
| | | | W | - | - | - | - | 2963 | 3373 | 3748 | 4060 | 4279 | 4377 | 4325 |
| | | 40 | Q | - | - | - | - | 6097 | 8033 | 10362 | 13125 | 16366 | 20125 | 24447 |
| | | | W | - | - | - | - | 3133 | 3614 | 4093 | 4542 | 4930 | 5231 | 5416 |
| | | 50 | Q | - | - | - | - | 5132 | 6870 | 8943 | 11392 | 14260 | 17590 | 21424 |
| | | | W | - | - | - | - | 3308 | 3824 | 4371 | 4919 | 5441 | 5908 | 6291 |
| 3508086 | SHR4615ZHR | 30 | Q | - | - | 5137 | 7004 | 9318 | 12125 | 15472 | 19405 | 23970 | 29214 | 35184 |
| | | | W | - | - | 2340 | 2792 | 3232 | 3647 | 4024 | 4351 | 4613 | 4798 | 4892 |
| | | 40 | Q | - | - | 3967 | 5650 | 7737 | 10275 | 13309 | 16886 | 21053 | 25855 | 31342 |
| | | | W | - | - | 2284 | 2824 | 3368 | 3905 | 4419 | 4900 | 5332 | 5704 | 6002 |
| | | 50 | Q | - | - | 2897 | 4382 | 6228 | 8481 | 11188 | 14395 | 18149 | 22497 | 27487 |
| | | | W | - | - | 2127 | 2745 | 3385 | 4033 | 4676 | 5300 | 5894 | 6443 | 6935 |

| Product Code | Model | Condensing temp: °C | Capacity & Power | Saturated Suction Temperature: °C | | | | | | | | | | |
|--------------|------------|---------------------|------------------|-----------------------------------|-----|-------|-------|-------|-------|-------|-------|-------|--------|--------|
| | | | | -40 | -35 | -30 | -25 | -20 | -15 | -10 | -5 | 0 | 5 | 10 |
| 3508087 | SHR4620ZHR | 30 | Q | - | - | 6933 | 9232 | 11999 | 15327 | 19310 | 24042 | 29616 | 36126 | 43667 |
| | | | W | - | - | 3249 | 3763 | 4247 | 4682 | 5050 | 5332 | 5508 | 5559 | 5468 |
| | | 40 | Q | - | - | 5465 | 7707 | 10322 | 13402 | 17042 | 21336 | 26377 | 32261 | 39081 |
| | | | W | - | - | 3377 | 4005 | 4623 | 5211 | 5751 | 6223 | 6608 | 6888 | 7044 |
| | | 50 | Q | - | - | 3994 | 6171 | 8625 | 11449 | 14737 | 18583 | 23082 | 28329 | 34420 |
| | | | W | - | - | 3338 | 4085 | 4841 | 5586 | 6302 | 6969 | 7568 | 8081 | 8489 |
| 3508088 | SHR4623ZHR | 30 | Q | - | - | 8000 | 10770 | 14117 | 18149 | 22974 | 28701 | 35439 | 43297 | 52386 |
| | | | W | - | - | 3374 | 4001 | 4644 | 5275 | 5867 | 6393 | 6826 | 7139 | 7304 |
| | | 40 | Q | - | - | 6132 | 8834 | 11999 | 15735 | 20152 | 25358 | 31464 | 38578 | 46811 |
| | | | W | - | - | 3477 | 4174 | 4922 | 5692 | 6458 | 7193 | 7870 | 8461 | 8939 |
| | | 50 | Q | - | - | 4261 | 6884 | 9856 | 13286 | 17284 | 21958 | 27419 | 33778 | 41146 |
| | | | W | - | - | 3507 | 4252 | 5081 | 5968 | 6885 | 7806 | 8704 | 9550 | 10319 |
| 3508089 | SHR4627ZHR | 30 | Q | - | - | 8151 | 11502 | 15680 | 20771 | 26857 | 34026 | 42361 | 51950 | 62877 |
| | | | W | - | - | 5118 | 5968 | 6814 | 7631 | 8393 | 9074 | 9647 | 10086 | 10366 |
| | | 40 | Q | - | - | 6266 | 9258 | 12963 | 17466 | 22851 | 29205 | 36613 | 45160 | 54934 |
| | | | W | - | - | 4848 | 5850 | 6884 | 7924 | 8943 | 9916 | 10816 | 11618 | 12294 |
| | | 50 | Q | - | - | 4608 | 7254 | 10497 | 14424 | 19121 | 24672 | 31163 | 38683 | 47317 |
| | | | W | - | - | 4485 | 5610 | 6802 | 8034 | 9281 | 10517 | 11715 | 12849 | 13893 |
| 3508090 | SHR4632ZHR | 30 | Q | - | - | 9979 | 13642 | 18169 | 23657 | 30205 | 37911 | 46872 | 57187 | 68955 |
| | | | W | - | - | 5846 | 6756 | 7663 | 8541 | 9363 | 10104 | 10739 | 11241 | 11584 |
| | | 40 | Q | - | - | 7907 | 11280 | 15399 | 20363 | 26268 | 33214 | 41299 | 50622 | 61283 |
| | | | W | - | - | 5813 | 6902 | 8017 | 9130 | 10216 | 11249 | 12203 | 13053 | 13773 |
| | | 50 | Q | - | - | 5883 | 8961 | 12667 | 17100 | 22357 | 28538 | 35741 | 44068 | 53617 |
| | | | W | - | - | 5592 | 6847 | 8155 | 9489 | 10825 | 12135 | 13395 | 14579 | 15660 |
| 3509096 | SHR4636ZHR | 30 | Q | - | - | 9515 | 13790 | 19206 | 25863 | 33867 | 43318 | 54321 | 66980 | 81399 |
| | | | W | - | - | 6159 | 7258 | 8370 | 9455 | 10471 | 11378 | 12133 | 12696 | 13026 |
| | | 40 | Q | - | - | 6874 | 10688 | 15514 | 21454 | 28613 | 37093 | 46999 | 58434 | 71504 |
| | | | W | - | - | 5943 | 7216 | 8547 | 9894 | 11216 | 12471 | 13619 | 14619 | 15429 |
| | | 50 | Q | - | - | 4443 | 7780 | 12002 | 17210 | 23509 | 31003 | 39796 | 49994 | 61701 |
| | | | W | - | - | 5513 | 6929 | 8447 | 10024 | 11620 | 13193 | 14702 | 16107 | 17365 |
| 3508091 | SHR4639ZHR | 30 | Q | - | - | 13927 | 18339 | 23723 | 30247 | 38078 | 47385 | 58336 | 71101 | 85848 |
| | | | W | - | - | 6012 | 7220 | 8443 | 9631 | 10732 | 11695 | 12470 | 13005 | 13248 |
| | | 40 | Q | - | - | 11032 | 15344 | 20434 | 26468 | 33617 | 42048 | 51930 | 63434 | 76730 |
| | | | W | - | - | 6304 | 7632 | 9049 | 10506 | 11950 | 13330 | 14596 | 15696 | 16579 |
| | | 50 | Q | - | - | 8113 | 12317 | 17104 | 22640 | 29097 | 36642 | 45446 | 55680 | 67516 |
| | | | W | - | - | 6467 | 7873 | 9444 | 11127 | 12872 | 14628 | 16344 | 17968 | 19449 |
| 3509097 | SHR4641ZHR | 30 | Q | - | - | 14453 | 19175 | 24880 | 31754 | 39983 | 49750 | 61244 | 74649 | 90153 |
| | | | W | - | - | 5594 | 6674 | 7784 | 8872 | 9886 | 10777 | 11493 | 11982 | 12194 |
| | | 40 | Q | - | - | 11415 | 16029 | 21425 | 27789 | 35308 | 44166 | 54551 | 66650 | 80651 |
| | | | W | - | - | 5862 | 7054 | 8342 | 9675 | 11002 | 12272 | 13433 | 14435 | 15227 |
| | | 50 | Q | - | - | 8356 | 12851 | 17925 | 23767 | 30562 | 38497 | 47760 | 58540 | 71026 |
| | | | W | - | - | 6007 | 7272 | 8700 | 10240 | 11841 | 13451 | 15020 | 16496 | 17829 |
| 3509098 | SHR4648ZHR | 30 | Q | - | - | 16719 | 22430 | 29304 | 37569 | 47450 | 59177 | 72977 | 89078 | 107710 |
| | | | W | - | - | 6879 | 8300 | 9728 | 11103 | 12365 | 13455 | 14312 | 14876 | 15089 |
| | | 40 | Q | - | - | 12947 | 18523 | 25016 | 32654 | 41665 | 52277 | 64719 | 79221 | 96013 |
| | | | W | - | - | 7054 | 8666 | 10359 | 12074 | 13750 | 15327 | 16747 | 17948 | 18871 |
| | | 50 | Q | - | - | 9128 | 14565 | 20672 | 27678 | 35812 | 45303 | 56382 | 69279 | 84226 |
| | | | W | - | - | 6988 | 8753 | 10673 | 12688 | 14739 | 16766 | 18709 | 20508 | 22103 |
| 3509099 | SHR4661ZHR | 30 | Q | - | - | 18466 | 25311 | 33901 | 44421 | 57058 | 71999 | 89431 | 109543 | 132522 |
| | | | W | - | - | 9199 | 10826 | 12472 | 14072 | 15565 | 16886 | 17972 | 18759 | 19183 |
| | | 40 | Q | - | - | 14979 | 21147 | 28831 | 38218 | 49494 | 62848 | 78467 | 96540 | 117257 |
| | | | W | - | - | 9287 | 11195 | 13202 | 15243 | 17256 | 19178 | 20944 | 22491 | 23755 |
| | | 50 | Q | - | - | 11718 | 17155 | 23879 | 32077 | 41938 | 53649 | 67400 | 83381 | 101784 |
| | | | W | - | - | 9179 | 11300 | 13600 | 16015 | 18481 | 20935 | 23314 | 25554 | 27591 |

Additional Cooling Required
EN13215 ratings

- Return Vapour 20°C
- Subcooling 3K
- Mid-point temperature reference

Q = Capacity
W = Power input

R513A

Low / Medium / High Temperature Applications

| Product Code | Model | Condensing temp: °C | Capacity & Power | Saturated Suction Temperature: °C | | | | | | | | | | |
|--------------|------------|---------------------|------------------|-----------------------------------|-----|------|------|-------|-------|-------|-------|-------|-------|-------|
| | | | | -40 | -35 | -30 | -25 | -20 | -15 | -10 | -5 | 0 | 5 | 10 |
| 3508077 | SHR4521ZHR | 30 | Q | - | - | 495 | 756 | 1068 | 1439 | 1878 | 2391 | 2989 | 3677 | 4466 |
| | | | W | - | - | 370 | 459 | 534 | 599 | 654 | 701 | 741 | 778 | 811 |
| | | 40 | Q | - | - | 351 | 593 | 877 | 1211 | 1603 | 2061 | 2594 | 3209 | 3915 |
| | | | W | - | - | 350 | 465 | 564 | 650 | 724 | 788 | 844 | 892 | 936 |
| | | 50 | Q | - | - | 238 | 462 | 718 | 1016 | 1363 | 1767 | 2237 | 2780 | 3405 |
| | | | W | - | - | 323 | 465 | 589 | 697 | 791 | 873 | 943 | 1005 | 1059 |
| 3508078 | SHR4526ZHR | 30 | Q | - | - | 900 | 1218 | 1602 | 2063 | 2609 | 3251 | 4000 | 4865 | 5855 |
| | | | W | - | - | 592 | 673 | 743 | 804 | 854 | 895 | 927 | 951 | 966 |
| | | 40 | Q | - | - | 693 | 989 | 1341 | 1757 | 2248 | 2824 | 3496 | 4272 | 5164 |
| | | | W | - | - | 579 | 689 | 787 | 874 | 949 | 1014 | 1068 | 1112 | 1147 |
| | | 50 | Q | - | - | 505 | 781 | 1100 | 1473 | 1910 | 2421 | 3016 | 3705 | 4499 |
| | | | W | - | - | 542 | 682 | 808 | 923 | 1024 | 1114 | 1192 | 1258 | 1314 |
| 3508079 | SHR4536ZHR | 30 | Q | - | - | 1409 | 1849 | 2407 | 3090 | 3907 | 4867 | 5979 | 7250 | 8691 |
| | | | W | - | - | 796 | 924 | 1047 | 1158 | 1248 | 1309 | 1333 | 1312 | 1237 |
| | | 40 | Q | - | - | 1137 | 1535 | 2033 | 2641 | 3366 | 4217 | 5203 | 6333 | 7616 |
| | | | W | - | - | 791 | 953 | 1117 | 1275 | 1420 | 1542 | 1634 | 1688 | 1695 |
| | | 50 | Q | - | - | 862 | 1221 | 1664 | 2199 | 2835 | 3581 | 4446 | 5438 | 6566 |
| | | | W | - | - | 742 | 936 | 1140 | 1344 | 1541 | 1723 | 1881 | 2008 | 2095 |
| 3508080 | SHR4550ZHR | 30 | Q | - | - | 1974 | 2496 | 3191 | 4074 | 5162 | 6470 | 8013 | 9806 | 11865 |
| | | | W | - | - | 1184 | 1316 | 1456 | 1591 | 1709 | 1798 | 1845 | 1839 | 1766 |
| | | 40 | Q | - | - | 1579 | 2042 | 2657 | 3437 | 4399 | 5558 | 6930 | 8529 | 10372 |
| | | | W | - | - | 1212 | 1348 | 1507 | 1677 | 1847 | 2004 | 2136 | 2230 | 2275 |
| | | 50 | Q | - | - | 1211 | 1615 | 2147 | 2822 | 3656 | 4664 | 5862 | 7266 | 8891 |
| | | | W | - | - | 1246 | 1370 | 1535 | 1727 | 1935 | 2146 | 2348 | 2529 | 2677 |
| 3508081 | SHR4564ZHR | 30 | Q | - | - | 2578 | 3264 | 4141 | 5225 | 6536 | 8089 | 9904 | 11997 | 14388 |
| | | | W | - | - | 1531 | 1771 | 1981 | 2160 | 2311 | 2432 | 2524 | 2589 | 2625 |
| | | 40 | Q | - | - | 2112 | 2741 | 3530 | 4495 | 5656 | 7030 | 8634 | 10487 | 12607 |
| | | | W | - | - | 1547 | 1840 | 2105 | 2345 | 2558 | 2747 | 2910 | 3049 | 3164 |
| | | 50 | Q | - | - | 1674 | 2250 | 2954 | 3805 | 4820 | 6018 | 7415 | 9032 | 10885 |
| | | | W | - | - | 1503 | 1848 | 2169 | 2469 | 2746 | 3001 | 3236 | 3450 | 3643 |
| 3508082 | SHR4576ZHR | 30 | Q | - | - | 2741 | 3583 | 4707 | 6134 | 7889 | 9993 | 12470 | 15342 | 18633 |
| | | | W | - | - | 1456 | 1658 | 1868 | 2075 | 2267 | 2431 | 2555 | 2627 | 2634 |
| | | 40 | Q | - | - | 2074 | 2835 | 3844 | 5125 | 6700 | 8591 | 10822 | 13417 | 16398 |
| | | | W | - | - | 1475 | 1708 | 1965 | 2232 | 2497 | 2748 | 2973 | 3160 | 3296 |
| | | 50 | Q | - | - | 1459 | 2128 | 3013 | 4136 | 5521 | 7189 | 9165 | 11472 | 14133 |
| | | | W | - | - | 1451 | 1709 | 2004 | 2322 | 2653 | 2983 | 3301 | 3594 | 3851 |
| 3508083 | SHR4591ZHR | 30 | Q | - | - | 4054 | 5186 | 6567 | 8238 | 10240 | 12612 | 15396 | 18632 | 22361 |
| | | | W | - | - | 1977 | 2185 | 2403 | 2614 | 2804 | 2957 | 3058 | 3092 | 3045 |
| | | 40 | Q | - | - | 3246 | 4358 | 5662 | 7198 | 9008 | 11131 | 13610 | 16484 | 19795 |
| | | | W | - | - | 2085 | 2346 | 2629 | 2918 | 3199 | 3456 | 3675 | 3840 | 3937 |
| | | 50 | Q | - | - | 2440 | 3528 | 4750 | 6147 | 7760 | 9629 | 11797 | 14304 | 17192 |
| | | | W | - | - | 2131 | 2447 | 2797 | 3167 | 3543 | 3907 | 4247 | 4545 | 4788 |
| 3508084 | SHR4610ZHR | 30 | Q | - | - | 3916 | 5047 | 6512 | 8348 | 10595 | 13290 | 16473 | 20180 | 24452 |
| | | | W | - | - | 2131 | 2438 | 2735 | 3013 | 3261 | 3471 | 3633 | 3739 | 3778 |
| | | 40 | Q | - | - | 3134 | 4183 | 5512 | 7160 | 9166 | 11567 | 14402 | 17711 | 21532 |
| | | | W | - | - | 2149 | 2508 | 2873 | 3234 | 3581 | 3907 | 4201 | 4454 | 4657 |
| | | 50 | Q | - | - | 2363 | 3328 | 4521 | 5979 | 7741 | 9846 | 12334 | 15242 | 18611 |
| | | | W | - | - | 2105 | 2509 | 2934 | 3371 | 3811 | 4245 | 4663 | 5057 | 5417 |
| 3508085 | SHR4612ZHR | 30 | Q | - | - | 4650 | 6018 | 7770 | 9942 | 12570 | 15689 | 19336 | 23547 | 28359 |
| | | | W | - | - | 2314 | 2723 | 3155 | 3579 | 3965 | 4283 | 4504 | 4595 | 4529 |
| | | 40 | Q | - | - | 3759 | 5046 | 6655 | 8621 | 10981 | 13771 | 17027 | 20786 | 25084 |
| | | | W | - | - | 2452 | 2865 | 3337 | 3835 | 4330 | 4791 | 5190 | 5495 | 5676 |
| | | 50 | Q | - | - | 2906 | 4102 | 5557 | 7308 | 9390 | 11840 | 14695 | 17992 | 21767 |
| | | | W | - | - | 2676 | 3055 | 3527 | 4060 | 4625 | 5191 | 5729 | 6209 | 6599 |
| 3508086 | SHR4615ZHR | 30 | Q | - | - | 5939 | 7851 | 10232 | 13119 | 16549 | 20558 | 25184 | 30464 | 36436 |
| | | | W | - | - | 2516 | 2987 | 3443 | 3871 | 4258 | 4591 | 4855 | 5038 | 5125 |
| | | 40 | Q | - | - | 4613 | 6318 | 8445 | 11030 | 14110 | 17723 | 21906 | 26696 | 32133 |
| | | | W | - | - | 2457 | 3021 | 3588 | 4144 | 4676 | 5170 | 5613 | 5991 | 6290 |
| | | 50 | Q | - | - | 3383 | 4877 | 6746 | 9025 | 11753 | 14966 | 18703 | 23002 | 27901 |
| | | | W | - | - | 2292 | 2940 | 3607 | 4281 | 4948 | 5594 | 6206 | 6770 | 7272 |

| Product Code | Model | Condensing temp: °C | Capacity & Power | Saturated Suction Temperature: °C | | | | | | | | | | |
|--------------|------------|---------------------|------------------|-----------------------------------|-----|-------|-------|-------|-------|-------|-------|-------|--------|--------|
| | | | | -40 | -35 | -30 | -25 | -20 | -15 | -10 | -5 | 0 | 5 | 10 |
| 3508087 | SHR4620ZHR | 30 | Q | - | - | 8007 | 10353 | 13183 | 16585 | 20648 | 25459 | 31108 | 37684 | 45275 |
| | | | W | - | - | 3494 | 4026 | 4524 | 4970 | 5343 | 5624 | 5795 | 5835 | 5724 |
| | | 40 | Q | - | - | 6350 | 8620 | 11271 | 14389 | 18063 | 22383 | 27437 | 33315 | 40107 |
| | | | W | - | - | 3632 | 4285 | 4925 | 5531 | 6084 | 6565 | 6954 | 7232 | 7379 |
| | | 50 | Q | - | - | 4665 | 6868 | 9345 | 12186 | 15478 | 19313 | 23778 | 28965 | 34965 |
| | | | W | - | - | 3594 | 4374 | 5160 | 5932 | 6671 | 7356 | 7969 | 8490 | 8899 |
| 3508088 | SHR4623ZHR | 30 | Q | - | - | 9232 | 12076 | 15511 | 19639 | 24564 | 30390 | 37222 | 45163 | 54319 |
| | | | W | - | - | 3629 | 4281 | 4947 | 5599 | 6208 | 6746 | 7184 | 7495 | 7649 |
| | | 40 | Q | - | - | 7124 | 9880 | 13102 | 16893 | 21358 | 26601 | 32726 | 39839 | 48046 |
| | | | W | - | - | 3741 | 4467 | 5243 | 6041 | 6833 | 7590 | 8284 | 8886 | 9368 |
| | | 50 | Q | - | - | 4985 | 7662 | 10679 | 14142 | 18153 | 22820 | 28246 | 34539 | 41804 |
| | | | W | - | - | 3777 | 4553 | 5416 | 6337 | 7287 | 8240 | 9165 | 10035 | 10822 |
| 3508089 | SHR4627ZHR | 30 | Q | - | - | 9417 | 12892 | 17222 | 22476 | 28728 | 36047 | 44507 | 54180 | 65139 |
| | | | W | - | - | 5507 | 6386 | 7259 | 8100 | 8881 | 9575 | 10153 | 10589 | 10855 |
| | | 40 | Q | - | - | 7288 | 10351 | 14147 | 18748 | 24226 | 30651 | 38098 | 46639 | 56348 |
| | | | W | - | - | 5218 | 6260 | 7333 | 8409 | 9462 | 10463 | 11385 | 12201 | 12883 |
| | | 50 | Q | - | - | 5389 | 8072 | 11368 | 15347 | 20083 | 25648 | 32115 | 39557 | 48049 |
| | | | W | - | - | 4833 | 6007 | 7249 | 8530 | 9823 | 11101 | 12336 | 13501 | 14568 |
| 3508090 | SHR4632ZHR | 30 | Q | - | - | 11531 | 15295 | 19956 | 25597 | 32302 | 40156 | 49242 | 59647 | 71455 |
| | | | W | - | - | 6288 | 7229 | 8164 | 9066 | 9907 | 10661 | 11301 | 11799 | 12129 |
| | | 40 | Q | - | - | 9186 | 12614 | 16810 | 21859 | 27846 | 34854 | 42968 | 52275 | 62860 |
| | | | W | - | - | 6254 | 7386 | 8540 | 9690 | 10809 | 11869 | 12844 | 13706 | 14429 |
| | | 50 | Q | - | - | 6863 | 9972 | 13723 | 18199 | 23484 | 29665 | 36827 | 45056 | 54440 |
| | | | W | - | - | 6024 | 7332 | 8692 | 10076 | 11458 | 12810 | 14105 | 15317 | 16418 |
| 3509096 | SHR4636ZHR | 30 | Q | - | - | 10978 | 15450 | 21092 | 27989 | 36226 | 45889 | 57063 | 69835 | 84292 |
| | | | W | - | - | 6625 | 7766 | 8917 | 10037 | 11081 | 12006 | 12770 | 13328 | 13639 |
| | | 40 | Q | - | - | 7995 | 11945 | 16928 | 23030 | 30337 | 38933 | 48905 | 60342 | 73329 |
| | | | W | - | - | 6394 | 7721 | 9105 | 10501 | 11867 | 13160 | 14336 | 15352 | 16166 |
| | | 50 | Q | - | - | 5222 | 8660 | 12994 | 18311 | 24697 | 32237 | 41020 | 51132 | 62664 |
| | | | W | - | - | 5938 | 7420 | 9002 | 10643 | 12299 | 13926 | 15482 | 16923 | 18207 |
| 3508091 | SHR4639ZHR | 30 | Q | - | - | 16072 | 20567 | 26068 | 32731 | 40715 | 50176 | 61275 | 74171 | 89023 |
| | | | W | - | - | 6467 | 7724 | 8994 | 10222 | 11355 | 12340 | 13124 | 13652 | 13872 |
| | | 40 | Q | - | - | 12803 | 17163 | 22315 | 28418 | 35629 | 44108 | 54015 | 65509 | 78751 |
| | | | W | - | - | 6783 | 8167 | 9640 | 11150 | 12642 | 14065 | 15363 | 16484 | 17374 |
| | | 50 | Q | - | - | 9459 | 13708 | 18535 | 24099 | 30561 | 38079 | 46815 | 56929 | 68586 |
| | | | W | - | - | 6965 | 8432 | 10066 | 11815 | 13623 | 15440 | 17209 | 18880 | 20397 |
| 3509097 | SHR4641ZHR | 30 | Q | - | - | 16686 | 21504 | 27338 | 34362 | 42751 | 52682 | 64329 | 77870 | 93483 |
| | | | W | - | - | 6017 | 7141 | 8292 | 9416 | 10460 | 11371 | 12095 | 12579 | 12768 |
| | | 40 | Q | - | - | 13256 | 17928 | 23396 | 29835 | 37421 | 46331 | 56741 | 68829 | 82774 |
| | | | W | - | - | 6307 | 7548 | 8886 | 10268 | 11640 | 12948 | 14139 | 15160 | 15957 |
| | | 50 | Q | - | - | 9753 | 14301 | 19424 | 25298 | 32100 | 40008 | 49199 | 59853 | 72151 |
| | | | W | - | - | 6470 | 7789 | 9274 | 10873 | 12532 | 14197 | 15816 | 17334 | 18698 |
| 3509098 | SHR4648ZHR | 30 | Q | - | - | 19292 | 25151 | 32199 | 40654 | 50735 | 62661 | 76650 | 92923 | 111703 |
| | | | W | - | - | 7398 | 8880 | 10364 | 11786 | 13084 | 14197 | 15063 | 15618 | 15801 |
| | | 40 | Q | - | - | 15034 | 20716 | 27318 | 35059 | 44159 | 54838 | 67315 | 81813 | 98554 |
| | | | W | - | - | 7588 | 9272 | 11035 | 12815 | 14548 | 16173 | 17627 | 18849 | 19776 |
| | | 50 | Q | - | - | 10668 | 16209 | 22401 | 29463 | 37615 | 47080 | 58078 | 70834 | 85573 |
| | | | W | - | - | 7526 | 9373 | 11376 | 13472 | 15600 | 17696 | 19700 | 21548 | 23179 |
| 3509099 | SHR4661ZHR | 30 | Q | - | - | 21348 | 28375 | 37230 | 48065 | 61031 | 76278 | 93961 | 114232 | 137247 |
| | | | W | - | - | 9896 | 11584 | 13286 | 14936 | 16468 | 17816 | 18913 | 19692 | 20088 |
| | | 40 | Q | - | - | 17416 | 23645 | 31463 | 41020 | 52470 | 65964 | 81656 | 99701 | 120255 |
| | | | W | - | - | 9995 | 11981 | 14064 | 16178 | 18257 | 20234 | 22044 | 23619 | 24894 |
| | | 50 | Q | - | - | 13671 | 19090 | 25858 | 34126 | 44047 | 55776 | 69466 | 85275 | 103360 |
| | | | W | - | - | 9889 | 12102 | 14496 | 17004 | 19560 | 22097 | 24550 | 26851 | 28935 |

Additional Cooling Required

EN13215 ratings

- Return Vapour 20°C
- Subcooling 3K
- Mid-point temperature reference

Q = Capacity

W = Power input

Actrol. Works for you.™

Call **1800 ACTROL** or visit www.actrol.com.au for your nearest branch.

The manufacturer/distributor reserves the right to vary specifications or delete models from their range without prior notification. The manufacturer/distributor takes no responsibility for printing errors. All dimensions are nominal only.

[BROCHURE CODE: 2110698]

