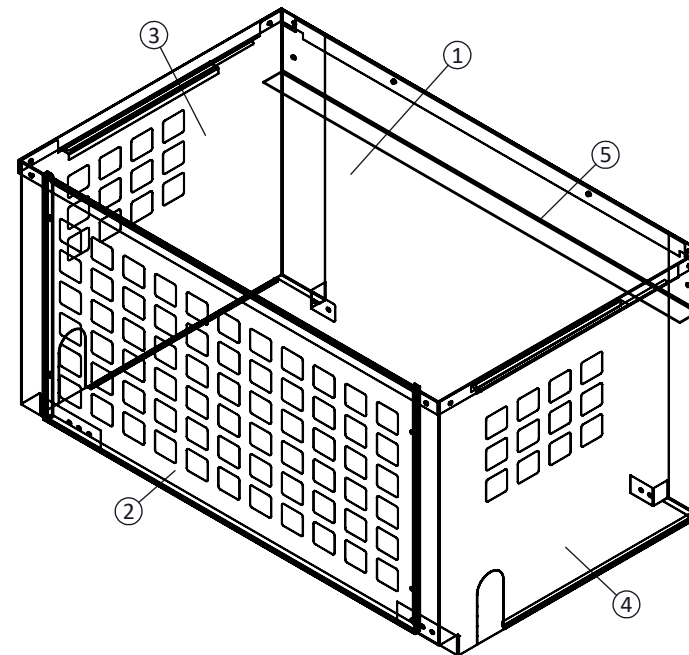
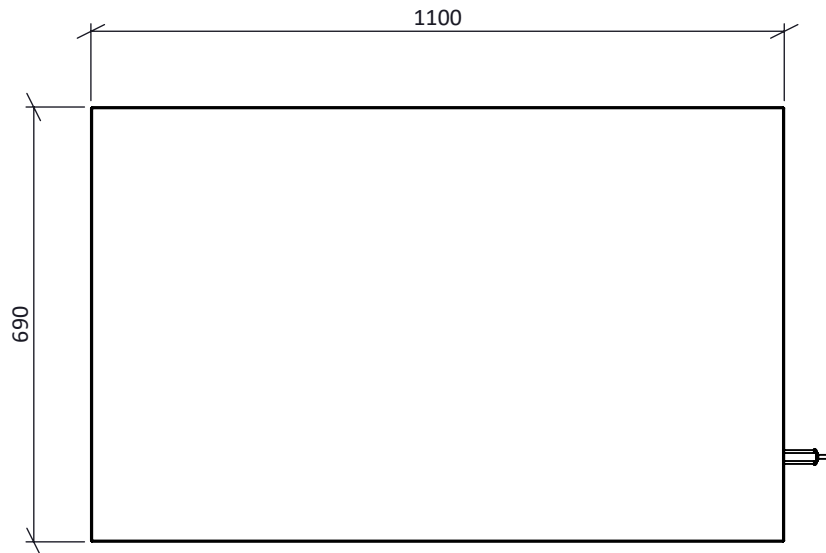


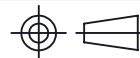
General Table			
No	Part No	Description	Qty
1	7316475	Top panel	1
2	7316476	Front panel	1
3	7316477	Left panel	1
4	7316478	Right panel	1
5	7316479	L Bracket	1
6	7210062	Bolt/Screw (M8x20)	6
7	7210045	Washer (M6x12)	8
8	7231202	Bolt (M6x20)	6
9	7225101	Screw (M6x16)	14



No.	Ind	Modification	Date	Drawn	Checked	Approved



Model	Weather Shield - Large 2 Fan	Drawn	rudy
Description	View Assembly	Checked	Ijat
Drawing No.	1000006	Approved	Sham
Date	15/07/2020	Index	-



TECUMSEH EURO-MALAYSIA SDN BHD