

# DURA

## WAFER CHECK VALVE

50mm – 300mm

### SPECIFICATIONS

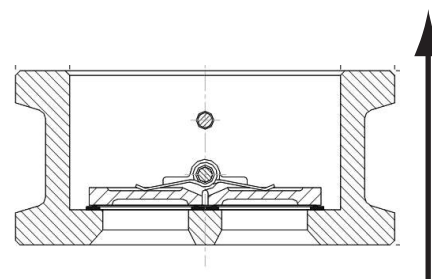
<b>Recommended use</b>	The Dura Wafer check valve is a high performance general-purpose water valve. It is compact in design enabling the installation and pipe work layout expenditure to be considerably reduced. Dura Wafer type check valves are lighter and smaller compared to conventional swing checks, applicable to HVAC, building service, irrigation, fire fighting and general industry.
<b>Working Pressure</b>	1600kPa
<b>Temperature Range</b>	-10°C to 120°C
<b>Warranty</b>	12 Months
<b>Suits Flange Type</b>	AS 2129 - Table D & E AS 4087 - PN16 ANSI B16.5 - Class 150 ISO 7005 - PN10 & PN16



### PHYSICAL SPECIFICATIONS

<b>Body</b>	Cast Iron
<b>Disc</b>	Stainless Steel
<b>Seat</b>	EPDM
<b>Hinge Pin</b>	Stainless Steel
<b>Stop Pin</b>	Stainless Steel
<b>Pin Retainer</b>	Stainless Steel
<b>Washer</b>	PTFE
<b>Gasket</b>	EPDM

### FLOW DIRECTION



### INSTALLATION NOTES

To avoid premature wear in DURA wafer check valves, please install check valves at a minimum distance equivalent to 5 times the nominal pipe diameter (5 x DN) in straight pipe downstream from any source of turbulent flow. Sources of turbulent flow include the discharge side of a pump, pipe reducers and elbows.

The accurate sizing of DURA wafer check valves is crucial to ensure an acceptable pressure drop and a long service life. Please ensure that flow velocity through the check valve is maintained within the ranges specified in the Pressure Loss Charts shown on the next page of this document.

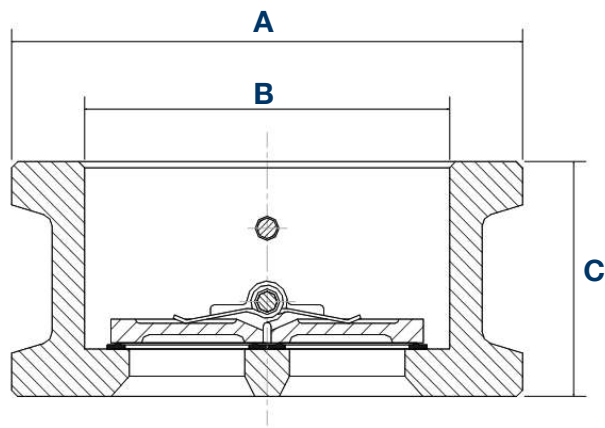
This valve is suitable for use in horizontal installations or vertical up-flow installations. When installing in horizontal pipe work, always install the valve with the hinge pin in the vertical position.

When installing between flanges, ensure that bolts are lubricated before assembly and tightened in a cross pattern sequence to achieve an even seal pressure across flange gasket.

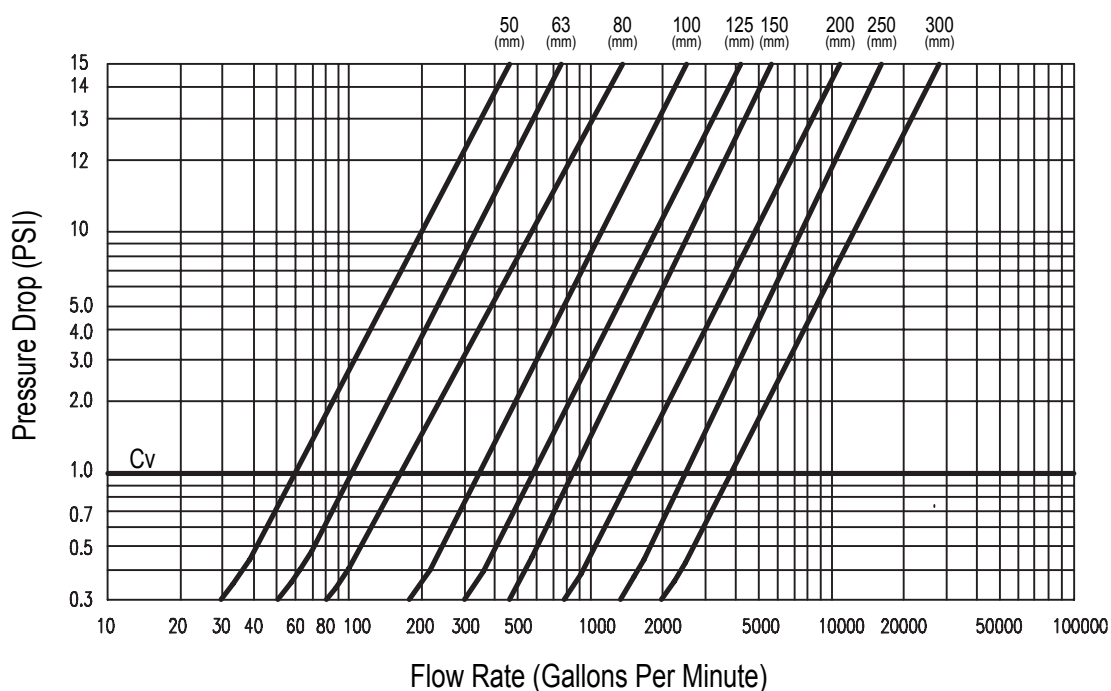
# DURA WAFER CHECK VALVE

## SPECIFICATIONS

Product Code	Product Description	Open Pressure	A	B	C
		kPa	mm	mm	mm
1005670	DURA C/I WAFER CHECK VALVE 50MM	43	96	66	54
1005671	DURA C/I WAFER CHECK VALVE 65MM	41	109	78	54
1005672	DURA C/I WAFER CHECK VALVE 80MM	25	126	90	57
1005673	DURA C/I WAFER CHECK VALVE 100MM	15	158	115	64
1005674	DURA C/I WAFER CHECK VALVE 125MM	15	190	141	70
1005675	DURA C/I WAFER CHECK VALVE 150MM	15	210	170	76
1005676	DURA C/I WAFER CHECK VALVE 200MM	15	267	210	95
1005677	DURA C/I WAFER CHECK VALVE 250MM	15	331	273	108
1005678	DURA C/I WAFER CHECK VALVE 300MM	15	379	324	143



## FLOW CHARACTERISTICS



**Disclaimer:** Products in this specification manual must by regulation be installed by licensed and registered trade people. The manufacturer/distributor reserves the right to vary specifications or delete models from their range without prior notification. Dimensions and set-outs listed are correct at time of publication however the manufacturer/distributor takes no responsibility for printing errors.

