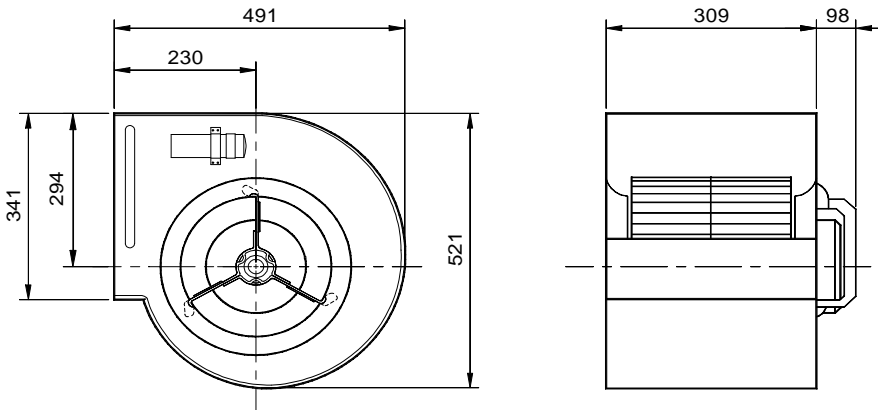
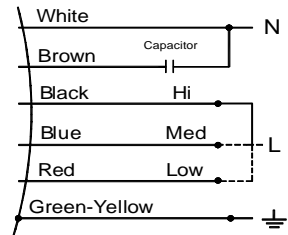


KDD 12/9 709W 6P-1 3SY

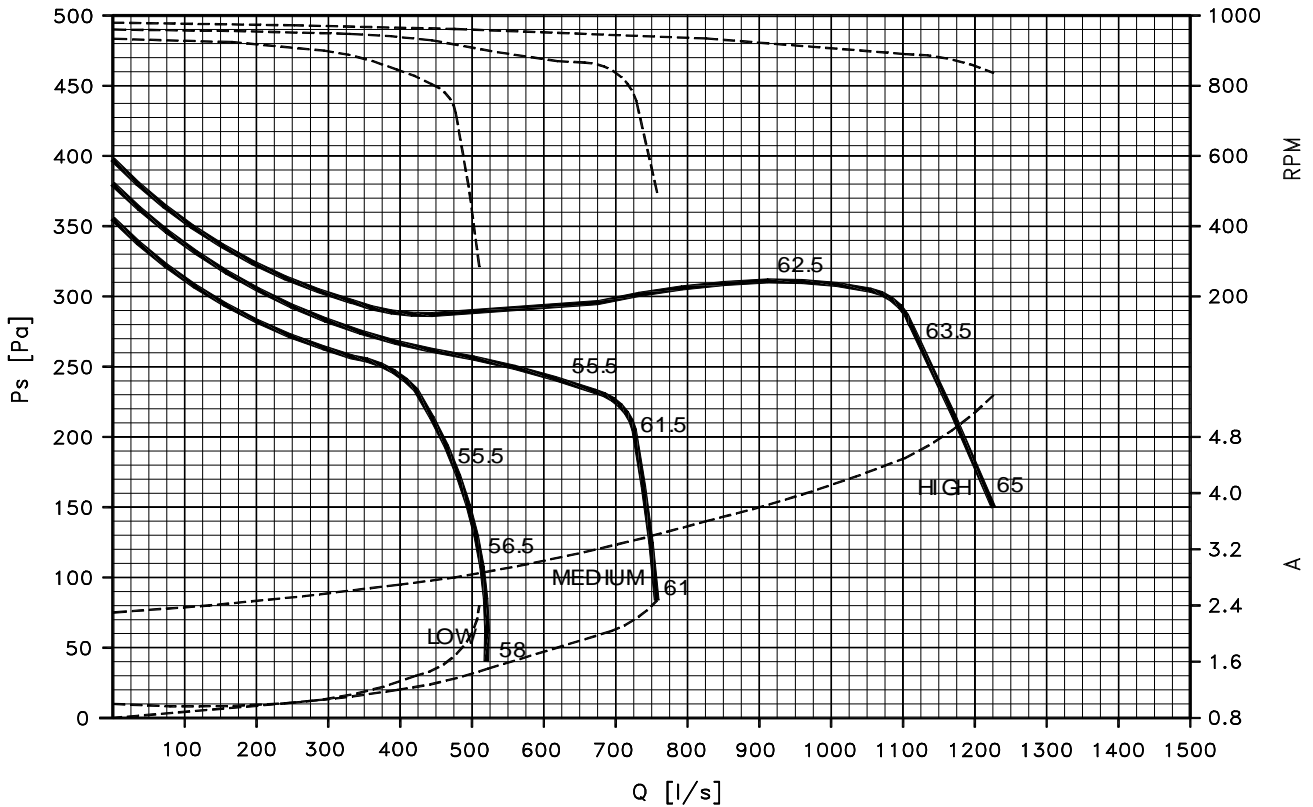


VOLT	220 - 240	Ph	1	SL.	KD12003.1	
WATT	709	Hz	50	Part no.	CE-AD0K763.00	
RPM	900/715/510	Cl.	F	uF/V	12.5/450	
POLE	6	Temp.	min - 20°C	N. Amp	4.62	
IP	21		max +40°C	M. Amp	5.3	Weight

Wiring diagram



All Dimension in mm



* Sound Lp(A) at 1 m.