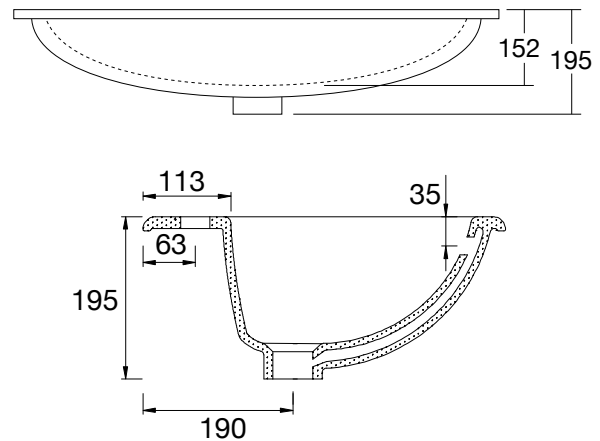
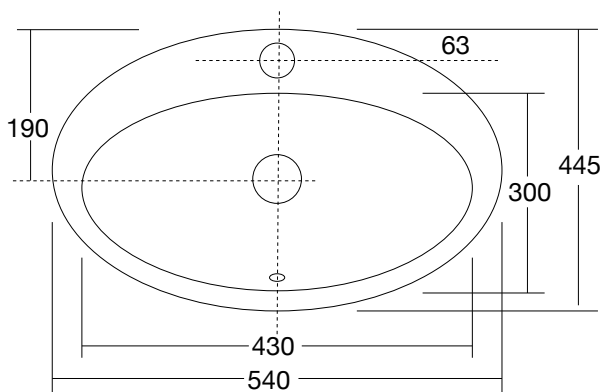


## Vanity Basin 540 x 445 x 195mm

### INSTALLATION INSTRUCTIONS

1. Position supplied cut out template onto the benchtop and mark off.
2. Cut hole into benchtop to template size.
3. Fit selected tapware and waste to basin. Ensure waste is siliconed around rim.
4. Apply waterproof sealant (not supplied) to the rim of the basin and to the benchtop.
5. Fit basin onto the benchtop and press firmly all around to achieve good seal.
6. Remove surplus sealant.



Dimensions same for 1 & 3 Taphole.

Dimensions are nominal measurements only.

### CLEANING RECOMMENDATIONS

We recommend the use of soapy water or approved cleaners.

This product should not be cleaned with abrasive materials.

Damage caused by any improper treatment is not covered by the product warranty - refer to Warranty Conditions.

**Please ensure a copy of the installation instructions is left with the end user for future reference.**