

# LAUFEN

Bathtub

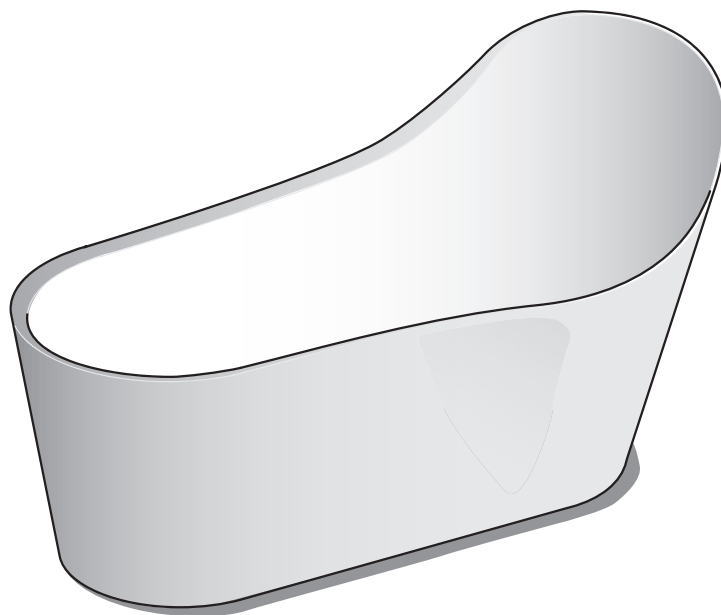
PALOMBA

Sentec solid surface



Australia  
New Zealand

Palomba freestanding Art.-No. 2.4580.2.000.000.A, 1800 x 720/890



**EN** This instruction must be given to the user.  
Guarantee/Liability only when assembled by an approved specialist in accordance with the instructions and local regulations.



## EN General installation instructions

### User manual



#### Protection from damage Instructions for use

These instructions for use must be carefully read before installation.

#### Check on content of delivery and condition of the components

Check delivery after receipt for completeness and possibly damage (see parts list on page 3). Inform the dealer immediately when damage is apparent. We are not liable for damage arising during or after installation/fitting.

#### Check door width before starting work

Does the bath pass through the door of the room in which the bath will be installed? Required minimum door width: See dimensions page 3.

#### Lifting/moving

The bath must only be lifted/moved using the transport straps provided - never use the hoses or installation parts.

#### Laying circuits

Do not lay any circuits under the bath.

Use suitable protective covers to prevent damage to surfaces and blockages by dirt or dust arising during fitting. Cover sensitive components (drain) temporarily with a protective cover before starting the installation/fitting.

#### Special precautions

When cleaning the tiles, make sure that no ammoniac or a similar aggressive cleaning agent come into contact with the installed parts.

#### Water connection through the overflow.

This installation guide does not include details of waste connection; final decision about installation of waste connection should be taken by a suitably qualified person.

Pre-prepare floor slab bath waste with 500 x 450 x 90 mm floor chase and 40 mm trap with 40 mm upstand in floor.

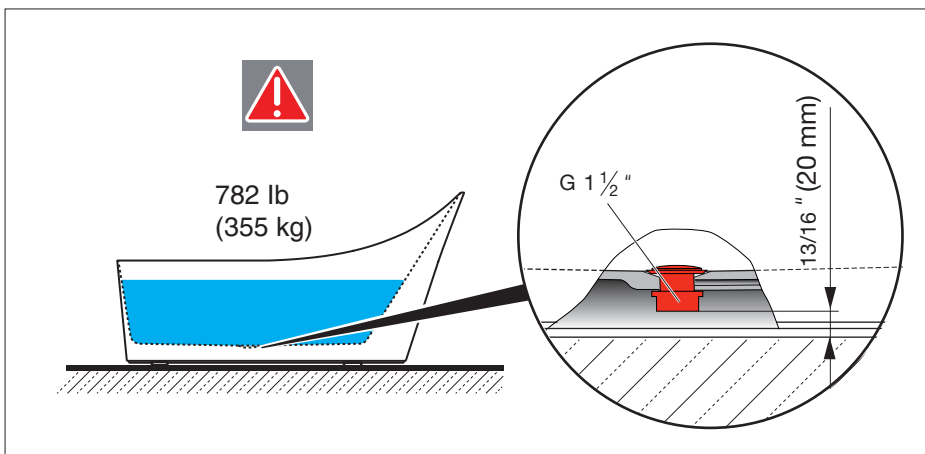
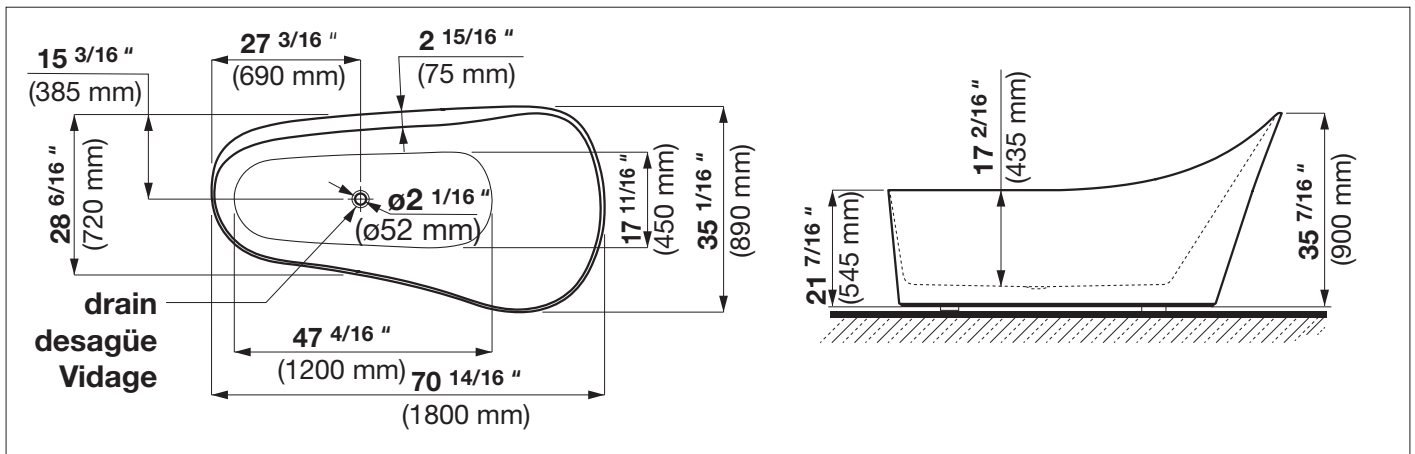
Install waste pipe and trap - taking into consideration the waste position of the bath. Make sure that the surface where the bathtub will be placed is perfectly flat, clean, free of any excess humidity and offers adequate support.

For installation where where access is restricted eg slab floor, or second story floor, the use of a Plumbdinger (Product code 9503349) waste connector is recommended (for installation refer to Plumbdinger instructions).

After connecting the water supply and drainage pipes, the tub must be examined to ensure that it is waterproof.

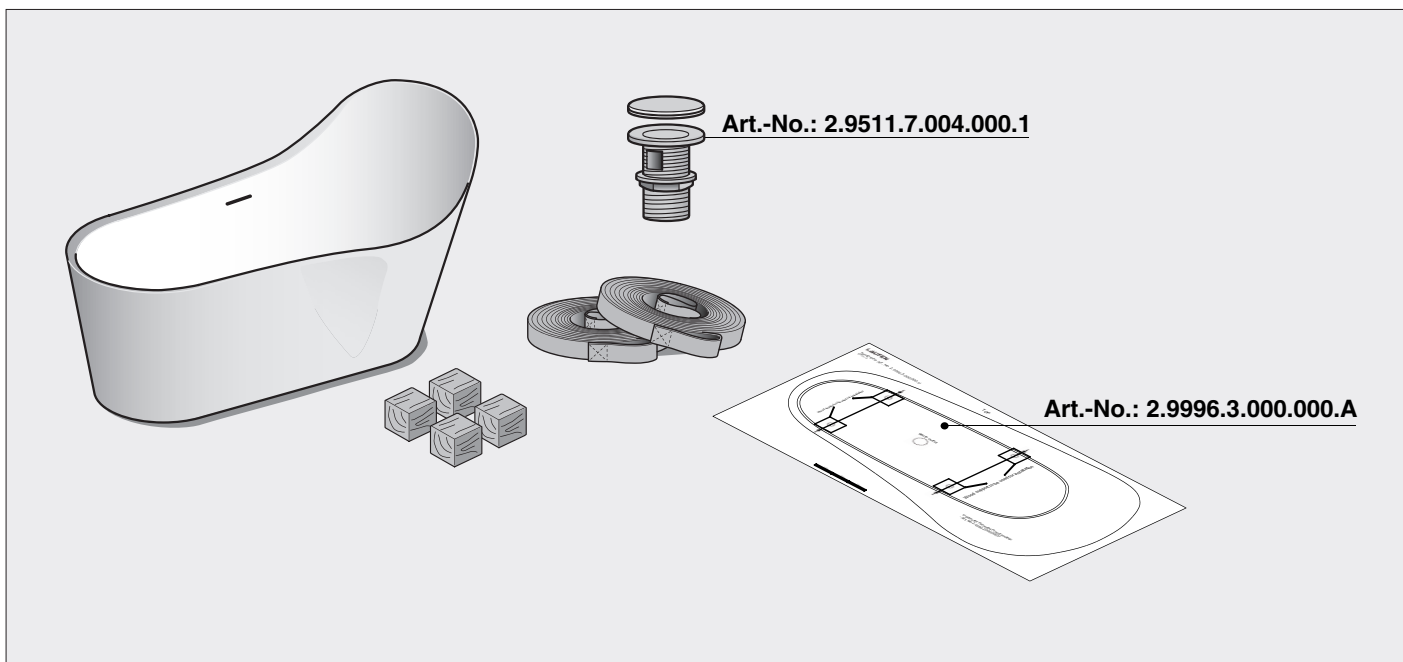
**Changes allowed:** Laufen reserves the right to make changes or modifications on any of its products without notice.

## EN Dimensions inches (mm)

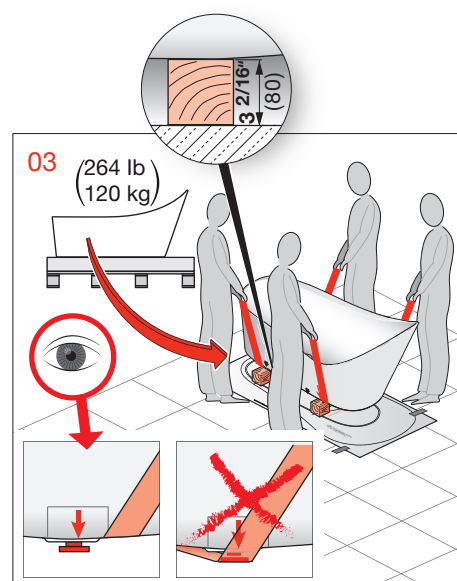
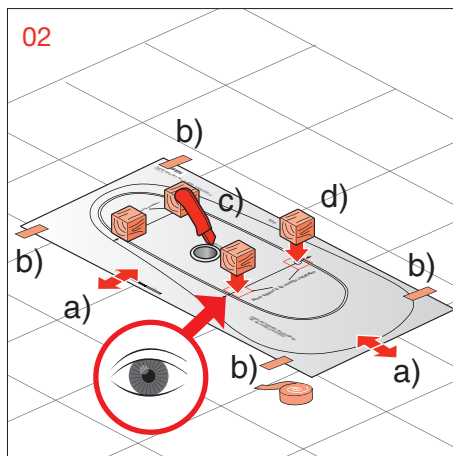
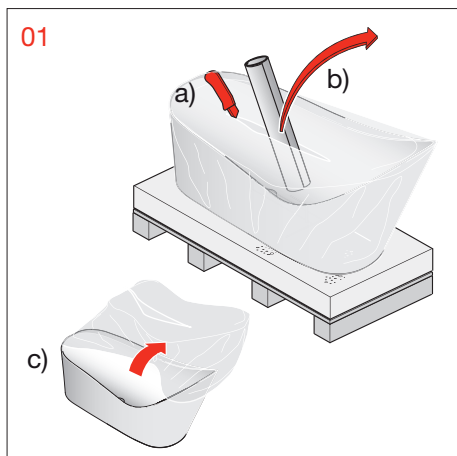




**EN** Parts list



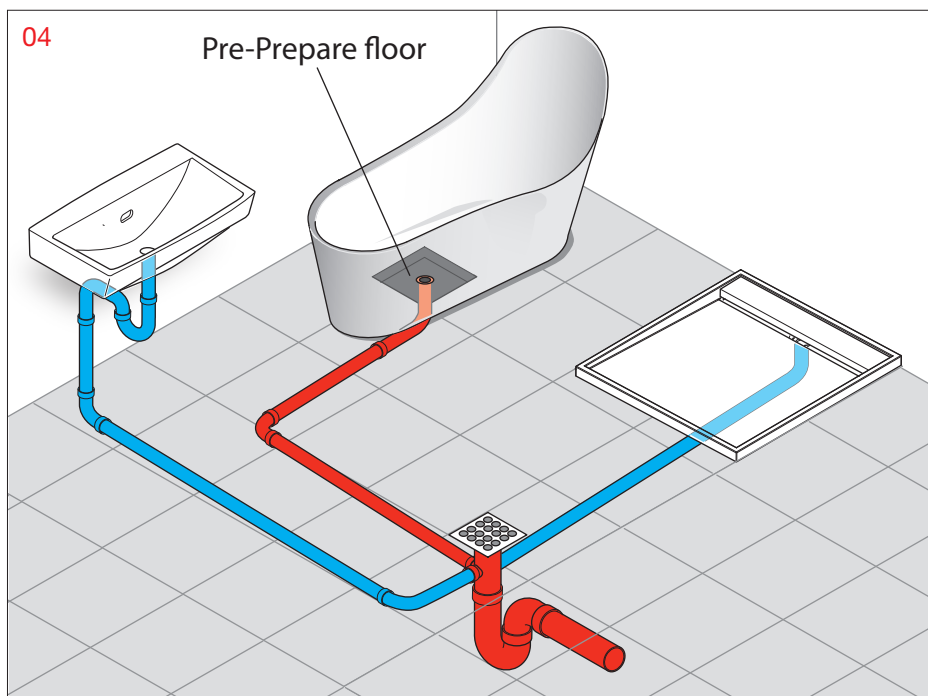
**EN** Tub assembly installation instructions



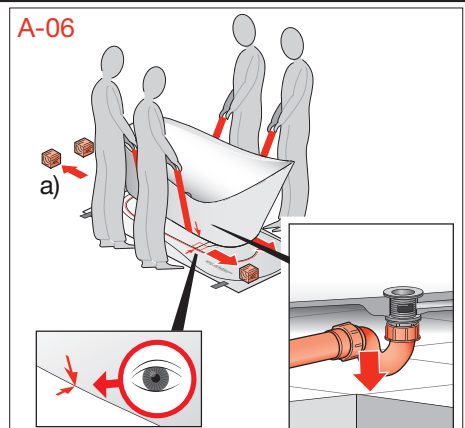
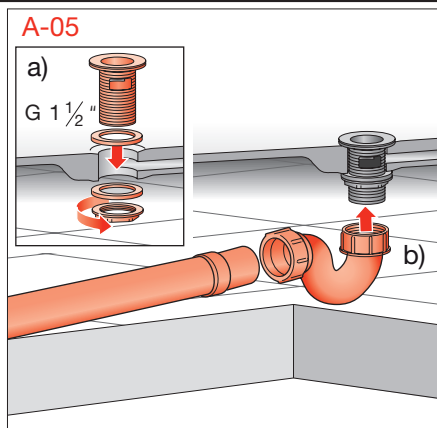


**EN** Tub assembly installation instructions

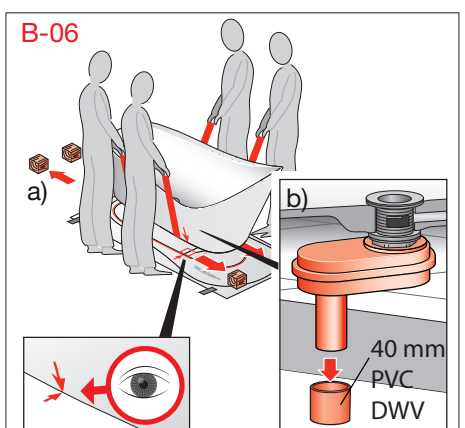
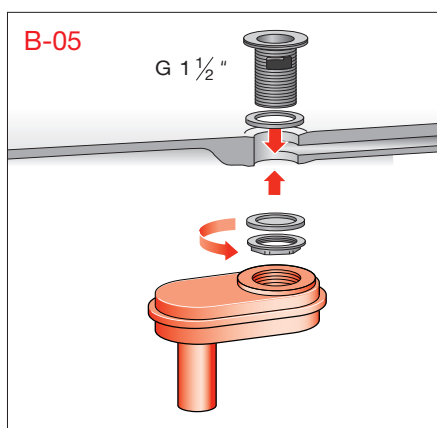
The following red marked installation components are not included in delivery. They are shown as examples to identify a proper installation.



**A: Timber floor with clear access under bath**

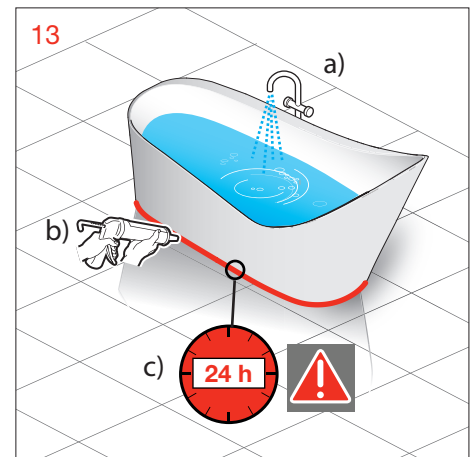
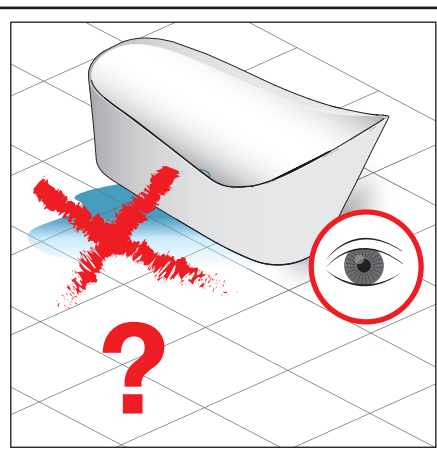
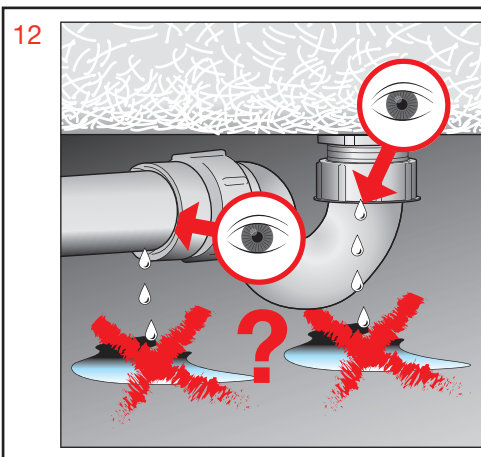
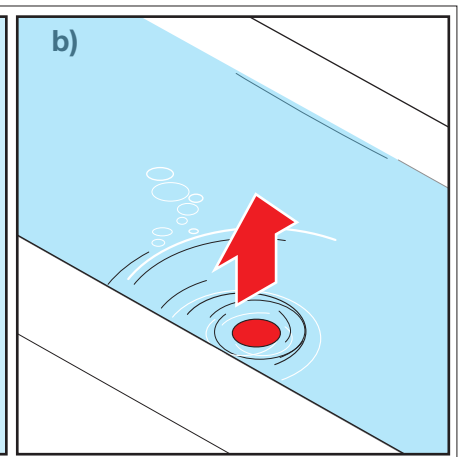
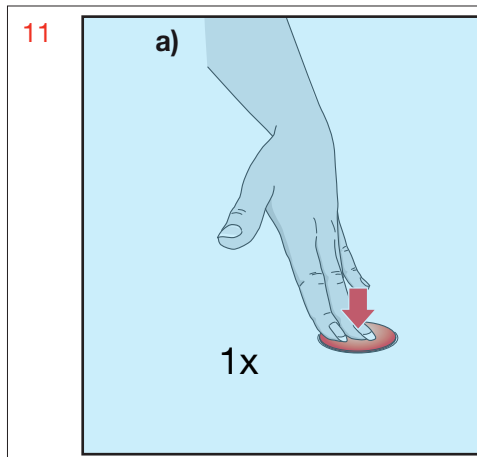
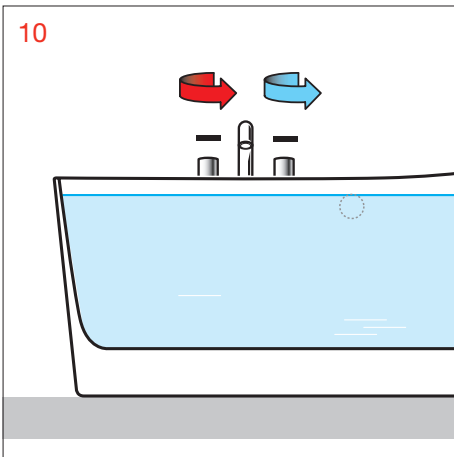
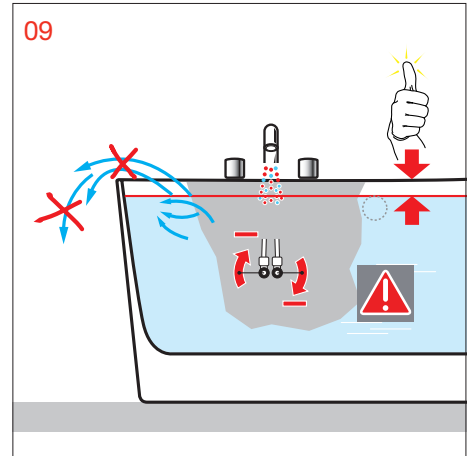
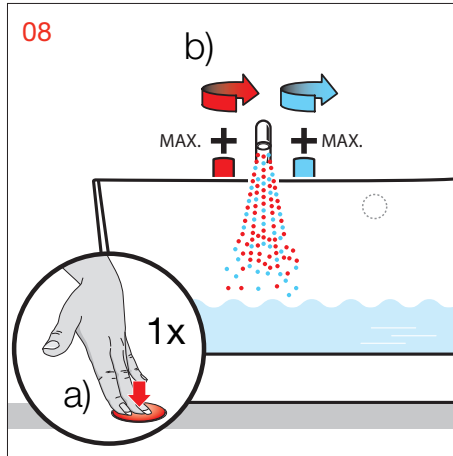
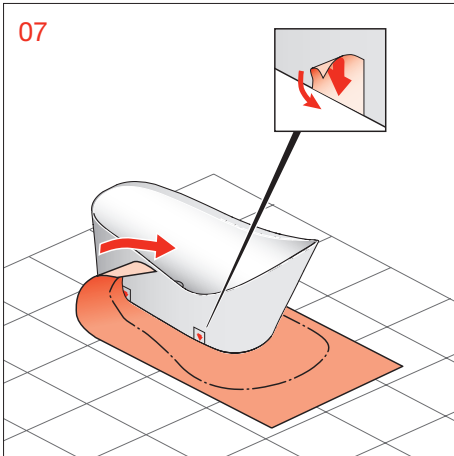


**B: Concrete floor with no access below floor (floor chase)**





EN Tub assembly installation instructions





## **EN** General Information, Maintenance Instructions

### **General comments on operation and use**

For your safety bathtub temperature should not exceed 40°C.

Let water out after each bath. Never leave children in the tub unsupervised.

#### **Use**

#### **Beware!**

Increased risk of slipping when surface is wet. This is particularly so when using soap, shampoo, bath oil, etc.

#### **Maintenance instructions**

The surface is simple to clean and maintain. The smooth surface hardly collects dirt. Regular care: Sponge, soft cloth, somewhat antistatic cleaning agent. The tub will thus retain its gloss and reject dirt. To clean your massage tub, please use a soft sponge, liquid soap and water. Rub dry with a dry cloth. Avoid the use of abrasives or solvents which damage the surface of the tub.

After long contact periods, several substances like ink, cosmetics and dyes may leave colouring stains. Lit cigarettes can leave burning rings.

These stains and spots as well as scratches or other small damages can be removed following the recommendations below:

Remove heavy dirt with liquid household cleaner e.g. dishwash detergents or liquid soap (observe dilution instructions).

Remove lime marks with a decalcifier. Always rinse with plenty of clean water. Give a final polish with a soft cloth. Use no acid cleaning agents or cleaning vinegar.

#### **Damage**

Scratched surfaces should always be treated by a specialist. Serious damages can be repaired with the maintenance kit (2.9996.4.000.000.1). Mix filler and catalyst to a complete dispersion of liquid substance. Apply the filler on the damaged part and let it cure for at least 12 hours at minimum 15°C.

Rub the cured filler with a 220 grain glass-paper and also the part around to eliminate any non-homogeneous parts. Clean the surface as described above.

**Damage resulting from inappropriate treatment by the user will not be covered by our guarantee.**

## **EN** Important safety instructions - Instructions pertaining to a risk of fire, electric shock or in jury to persons Read and follow all instructions!

**WARNING:** Risk of personal injury. Do not permit children to use this unit without adult supervision.

**WARNING:** Risk of personal injury. Do not operate this unit without the guard over the suction fitting.

**WARNING:** Risk of hyperthermia and possible drowning. People using medications and/or having adverse medical history should consult a physician before using this product.

**WARNING:** Risk of personal injury. Do not overfill unit before entering. Entering tub when filled more than 2/3 can cause overflow and slippery conditions. Exercise caution when entering and exiting.

**WARNING:** No food or alcoholic beverages. Use of your bathtub immediately after meals is not recommended. Avoid alcohol consumption before or during bathing. Alcoholic beverages can cause drowsiness or hyperthermia resulting in loss of consciousness or even drowning.

**WARNING:** Risk of personal injury. Do not use any electrical device as shaver, hair dryer, curling iron, ect. while taking a bath. There is a danger of being electrocuted.

**WARNING:** Pregnancy. If you are or think you may be pregnant, consult your physician before using the bathtub.

Never drop or insert any object into any opening.

Use this unit only for its intended use as described in this manual. Do not use any plumbing devices not recommended by American Standard.

### **SAVE THESE INSTRUCTIONS**

**2-Year Limited Warranty.**

Laufen warrants that the enclosed product shall be free from manufacturing defects for 2 years from the date of the initial purchase. This warranty is extended to the buyer/installer and is non-transferable. If the product fails during the warranty period due to a defect in manufacturing, the seller, at its option, will repair or replace the product.

**This warranty is only effective if the buyer installs the product per the enclosed instructions.**

This warranty does not cover damage caused by installation, accident, incorrect handling, improper use, or normal wear and tear. Continued use or possession of the goods after expiration of the warranty period shall be conclusive evidence that the warranty is fulfilled to the full satisfaction of the buyer. This warranty is the seller's sole and exclusive obligation to the buyer.

**Obtaining Warranty Service.**

Proof of the date of purchase is required to obtain warranty service. To obtain warranty service, contact Laufen at [www.laufen.com/usa](http://www.laufen.com/usa) or [www.laufen.com/canada](http://www.laufen.com/canada) or send the defective product, with a written explanation, to

**Laufen International INC./  
Laufen Bathrooms AG  
11190 NW 25th Street Suite -100  
Miami, FL 33172  
Toll free phone 1 866 696 2493**

The buyer/installer may be charged a reasonable rate for shipping if the product is repaired or a replacement is provided.

**Disclaimer of Implied Warranties and Other Liabilities.**

**There are no warranties that extend beyond the description on the face hereof.**



The seller undertakes no responsibility for the quality of the goods except as otherwise provided herein.

**This warranty is in lieu of all other express or implied warranties of merchantability. The seller assumes no responsibility that the goods will be fit for any particular purpose for which you may be buying these goods, except as otherwise provided herein.**

In no event shall the seller be liable for incidental and consequential damages, lost profits, indemnity, or attorneys' fees. If the seller is liable on any claim - whether based on a statute, contract, warranty, or tort (such as negligence or products liability) - seller's total liability shall be limited to the purchase price of the product, except where expressly prohibited by law.

# LAUFEN

Laufen Bathrooms AG  
Wahlenstrasse 46  
CH-4242 Laufen, Switzerland  
[www.laufen.com](http://www.laufen.com)

|                     |   |   |
|---------------------|---|---|
|                     |  |  |
| Controllers name:   |   |   |
| Date:               |   |   |
| Fabrication number: |   |   |